

Ningbo Shenling Lift Accessories

# Traction machines series

Science technology making the future

曳引机系列

科技演绎 | 驱动未来

永磁无齿曳引机系列产品完全符合GB7588-2003标准（等同于EN81-1：1998标准）。汲取融会了先进的专业技术，制造装备精良，加工工艺精湛，各项性能指标达到国际先进水平。低速运转平稳，在0.2r/min速度下运行毫无步进现象；电机噪声≤51dB；运行效率可达91%；额定电流低；温升低，可靠性强，额定运行12h，绕组温升仅为25K；匹配性能好，可与德国KEB、英国CT、意大利SIEI及日本的富士、安川等多款变频器均能很好的匹配。产品体积小、质量轻、外形美观，各种规格齐全，载重覆盖320~1600kg，速度0.4~3m/s。有2:1外转子及1:1内转子系列产品可供选择，是小机房和无机房电梯配套的最佳选择。

PM gearless traction machine series fully fulfills GB7588-2003 ( equals to EN81-1 : 1998 standard). It is applied with advanced technology, excellent production equipments, extract technics, each item of function index has reached the international standard. Low speed running smoothly, running without stepping under 0.2 r/min, motor noise is under 51dB, running efficiency can reach 91%, low rated current, low raising temperature and high reliability, the raising temperature of winding is about 25K after rated running 12 hours. Good compatibility, can match with KEB from German, CT from England, SIEI from Italy, FUJI and YASKAWA from Japan and many other kinds of inverters. Its products are in small size, light weight, nice appearance & complete specification, the loading is various from 320 to 1600kg. The speed is various from 0.4 to 3m/s. It has 2:1 external-rotor and 1:1 internal-rotor for your choice, perfect for small machine room and MRL elevators.



## 索引 CATALOGUE

WYJ103-02.1	2 : 1永磁无齿曳引机 ( 630kg ) 2:1PM Gearless traction machine (630kg)
WYJ103-02.2	2 : 1永磁无齿曳引机 ( 800kg ) 2:1PM Gearless traction machine (800kg)
WYJ103-02.3	2 : 1永磁无齿曳引机 ( 1000kg ) 2:1PM Gearless traction machine (1000kg)
WYJ103-02.4	2 : 1永磁无齿曳引机 ( 450kg ) 2:1PM Gearless traction machine(4500kg)
WYJ103-02.5	2 : 1永磁无齿曳引机 ( 400kg ) 2:1PM Gearless traction machine(400kg)
WYJ103-05	2 : 1永磁无齿曳引机 ( 1350kg ) 2:1PM Gearless traction machine(1350kg)
WYJ103-05.2	2 : 1永磁无齿曳引机 ( 1600kg ) 2:1PM Gearless traction machine(1600kg)
WYJ103-04.1	1 : 1永磁无齿曳引机 ( 630 kg ) 1:1PM Gearless traction machine(630kg)
WYJ103-04.2	1 : 1永磁无齿曳引机 ( 800kg ) 1:1PM Gearless traction machine(800kg)
WYJ103-04	1 : 1永磁无齿曳引机 ( 1000kg ) 1:1PM Gearless traction machine(1000kg)
WYJ103-04.6	1 : 1永磁无齿曳引机 ( 1600kg 3m/s ) 1:1PM Gearless traction machine(1600kg 3m/s)
WYJ103	永磁同步无齿曳引机标准配置规格表 Standard configuration specification list of WYJ103 PM Gearless traction machine

备注：

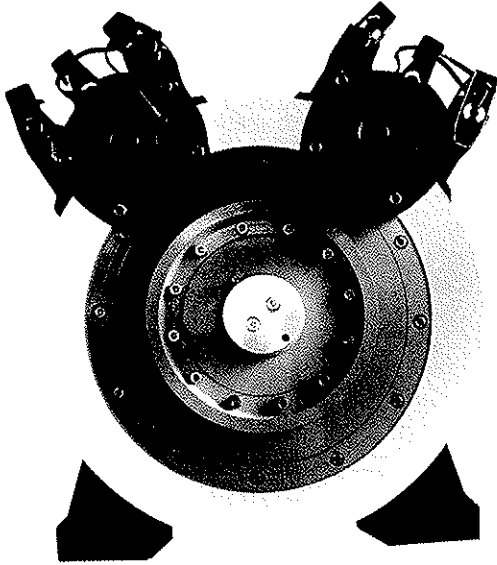
- 曳引机编码器标准配置为海德汉1387，另可以根据客户需求配海德汉1313，内密控SBH-8192-5MD、多摩川TS5246N1多摩川TS5246N164等编码器。
- WYJ103-02系列可以提供远程松闸装置，适用于无机房或小机

REMARK：

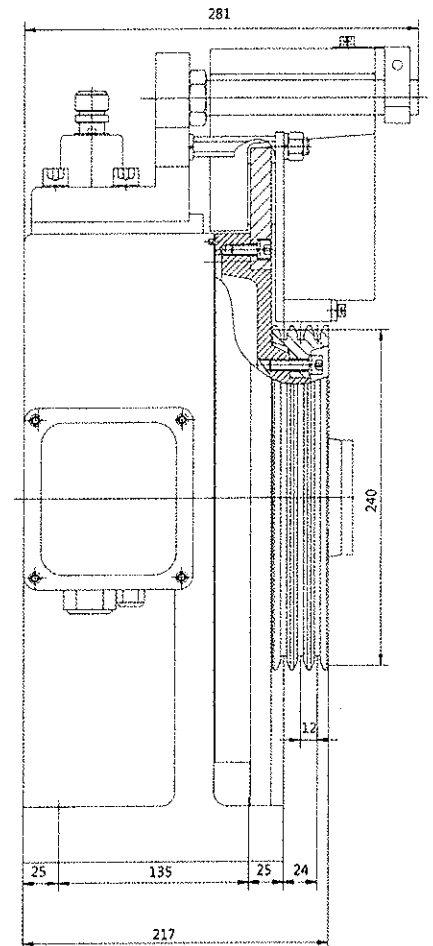
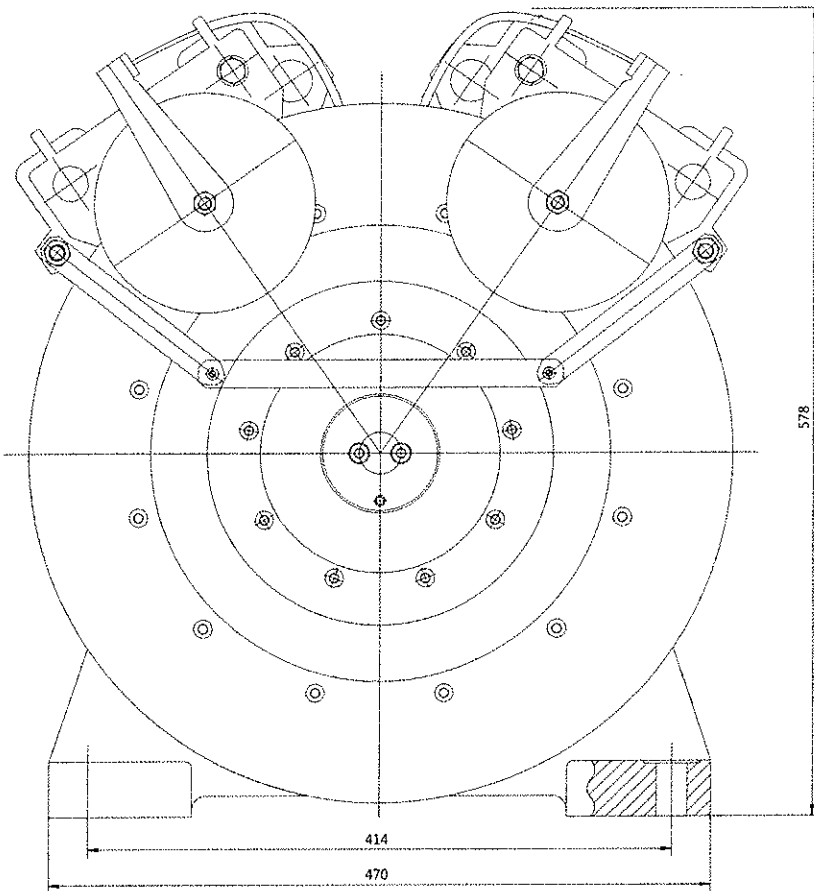
- Standard configuration of traction machine is Heidenh 1387. Optional encoders are Heidenhain 1313, Nemicon S1: 8192-5MD, Tamagawa TS5246N110 & TS5246N164, etc.
- WYJ103-02 Traction machine with Long distance manual rele device, suitable for MRL or small machine room.

# WYJ103-02.5

## 2:1永磁无齿曳引机 PM Gearless traction machine (400kg)

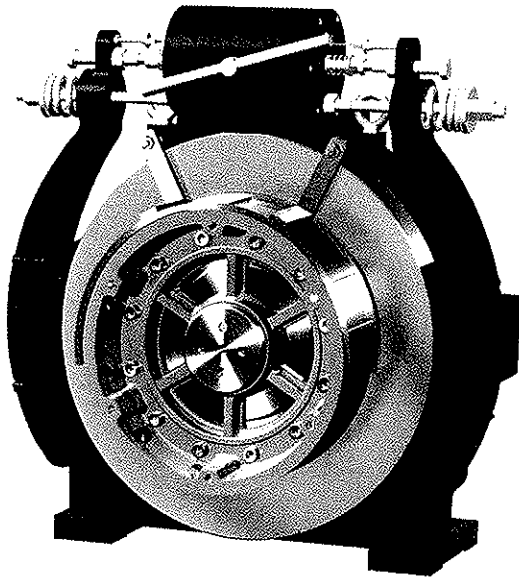


型号规格 Type	WYJ103-02.5
曳引比 Traction ratio	2:1
额定电压(V) Rated voltage	220
额定载重(kg) Rated load	400
最大轴载荷(kN) Max axle load	12
自重(kg) Self weight	160
梯速(m/s) Lift speed	0.4
曳引轮槽数 Sheave groove No	3

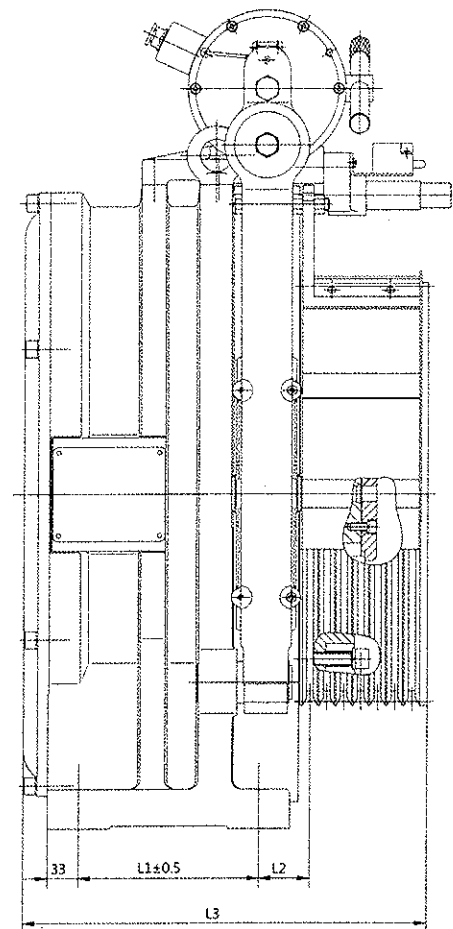
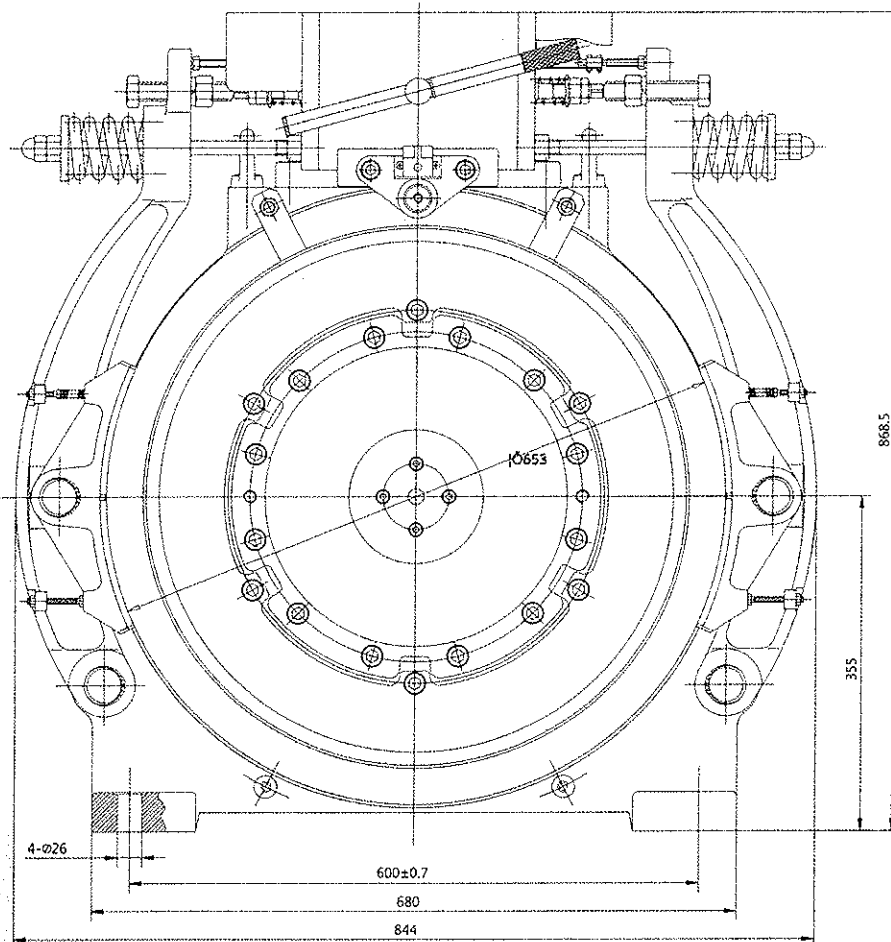


# WYJ103-05 / 05.2

## 2:1永磁无齿曳引机 PM Gearless traction machine (1350kg / 1600kg)

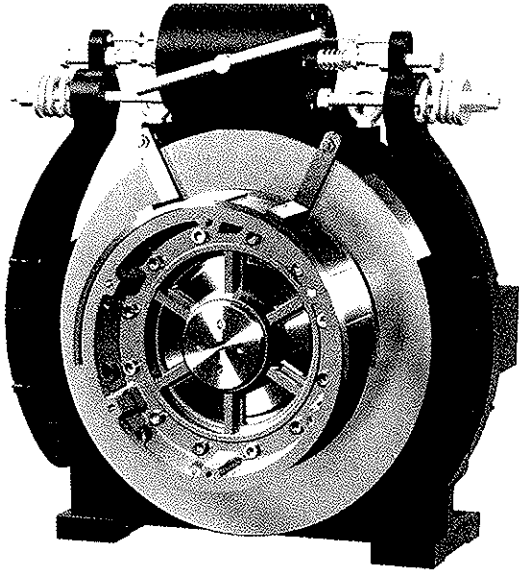


型号规格 Type	WYJ103-05					WYJ103-05.2				
曳引比 Traction Ratio	2:1					2:1				
额定电压(V) Rated voltage	380					380				
额定载重(kg) Rated load	1350					1600				
最大轴载荷(kN) Max axle load	76					76				
自重(kg) Self weight	550					550				
梯速(m/s) Lift speed	1	1.6	1.75	2	2.5	1	1.6	1.75	2	
曳引轮槽数 Sheave groove No	7					7				
L1(mm)	190					190				
L2(mm)	54					55				
L3(mm)	427					430				

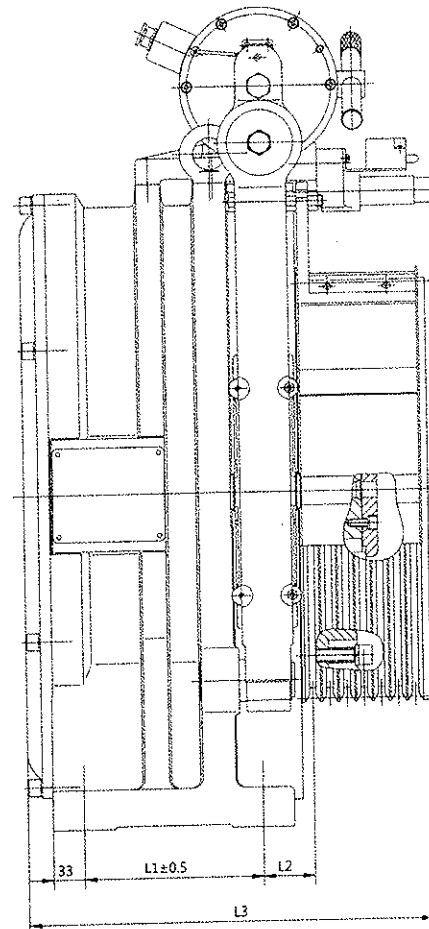
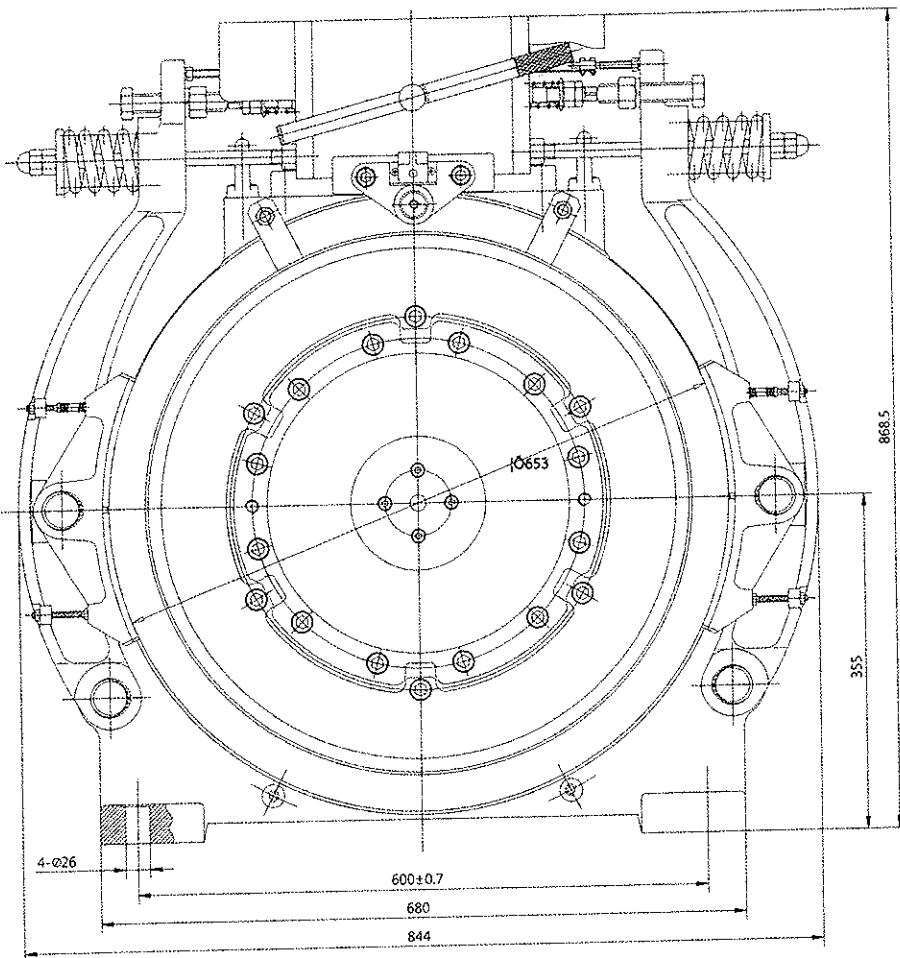


WYJ103-04.1 / 04.2

1:1 永磁无齿曳引机 PM Gearless traction machine  
(630kg / 800kg)



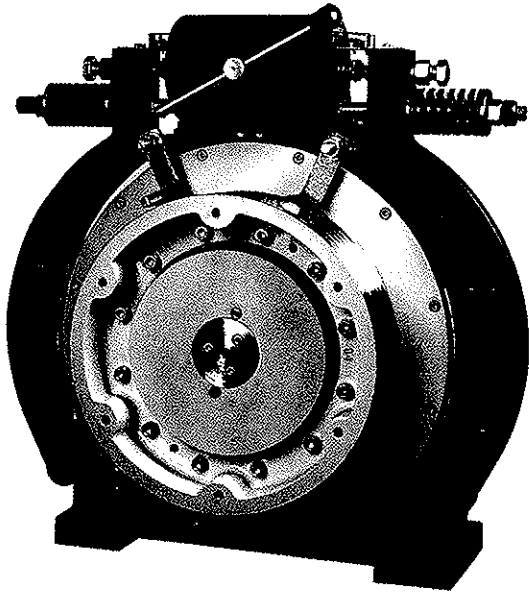
型号规格 Type	WYJ103-04.1	WYJ103-04.2
曳引比 Traction ratio	1:1	1:1
额定电压(V) Rated voltage	380	380
额定载重(kg) Rated load	630	800
最大轴载荷(kN) Max axle load	76	76
自重(kg) Self weight	550	550
梯速(m/s) Lift speed	1	1.6
曳引轮槽数 Sheave groove No	6	7
L1(mm)	190	190
L2(mm)	54	54
L3(mm)	407	427



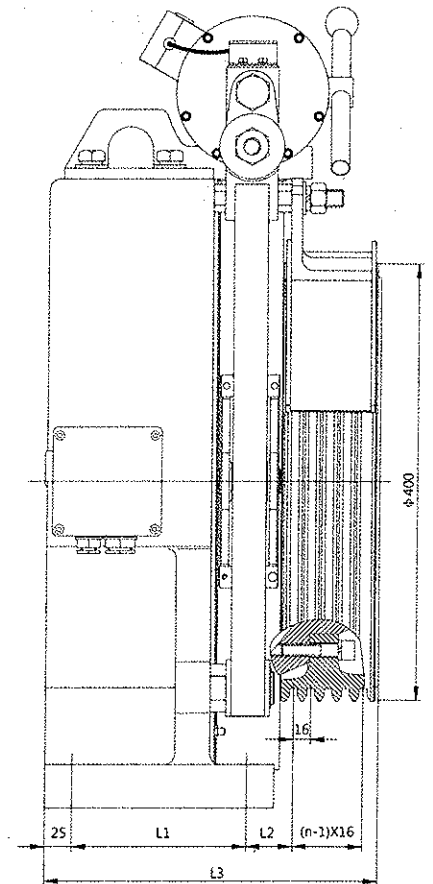
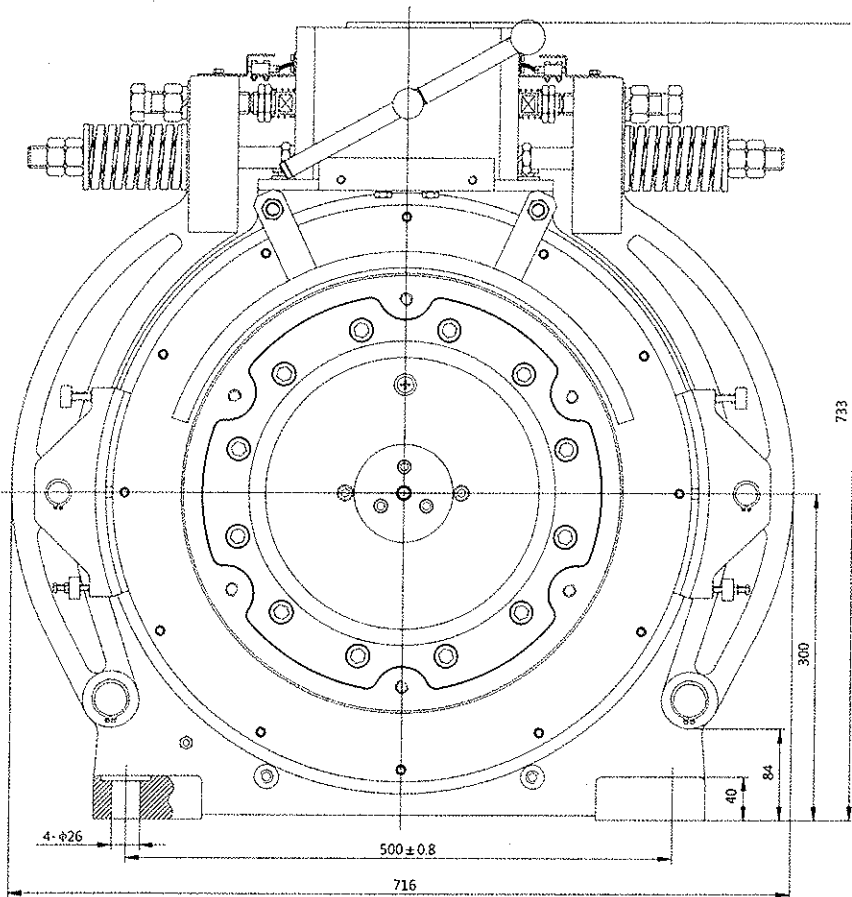
# WYJ103-02.1 / 02.2 / 02.3 / 02.4

## 2:1永磁无齿曳引机 PM Gearless traction machine

(630kg / 800kg / 1000kg / 450kg)

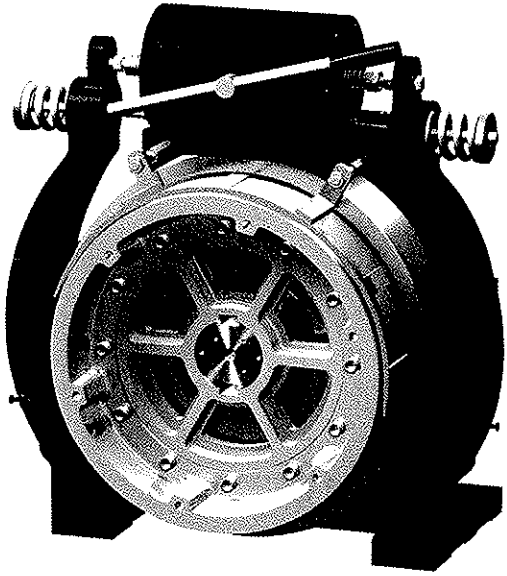


型号规格 Type	WYJ103-02.1			WYJ103-02.2			WYJ103-02.3			WYJ103-02.4		
曳引比 Traction Ratio	2:1			2:1			2:1			2:1		
额定电压(V) Rated voltage	380			380			380			380		
额定载重(kg) Rated load	630			800			1000			450		
最大轴载荷(kN) Max axle load	39			48			52			27		
自重(kg) Self weight	300			365			370			290		
梯速(m/s) Lift speed	1	1.6	1.75	1	1.6	1.75	1	1.6	1.75	2	2.5	1
曳引轮槽数 Sheave groove No	4			5			6			7	4	
L1(mm)	135			160			160			170	135	
L2(mm)	35			42			42			46	35	
L3(mm)	256			305			321			335	351	256

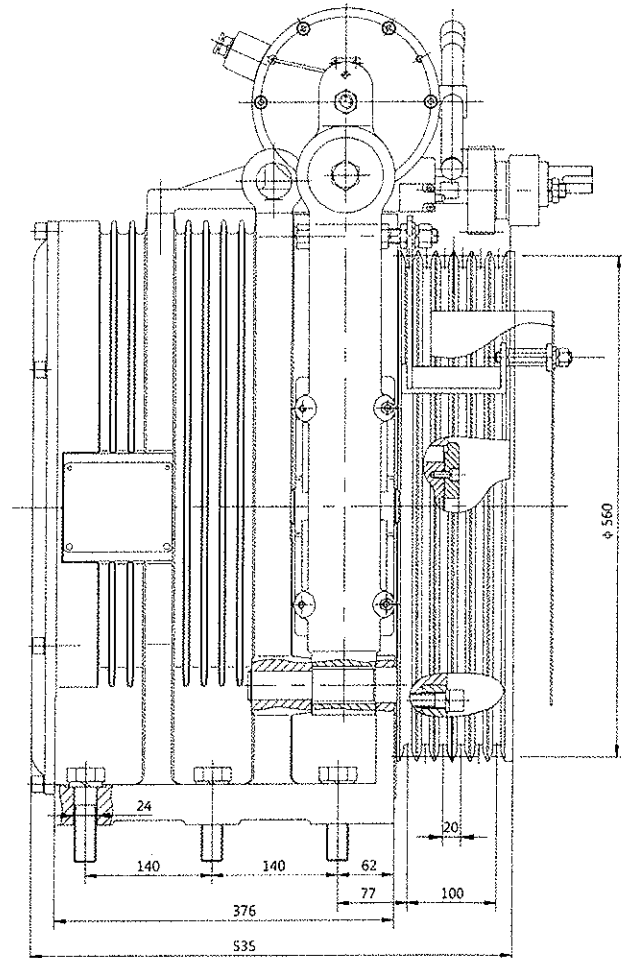
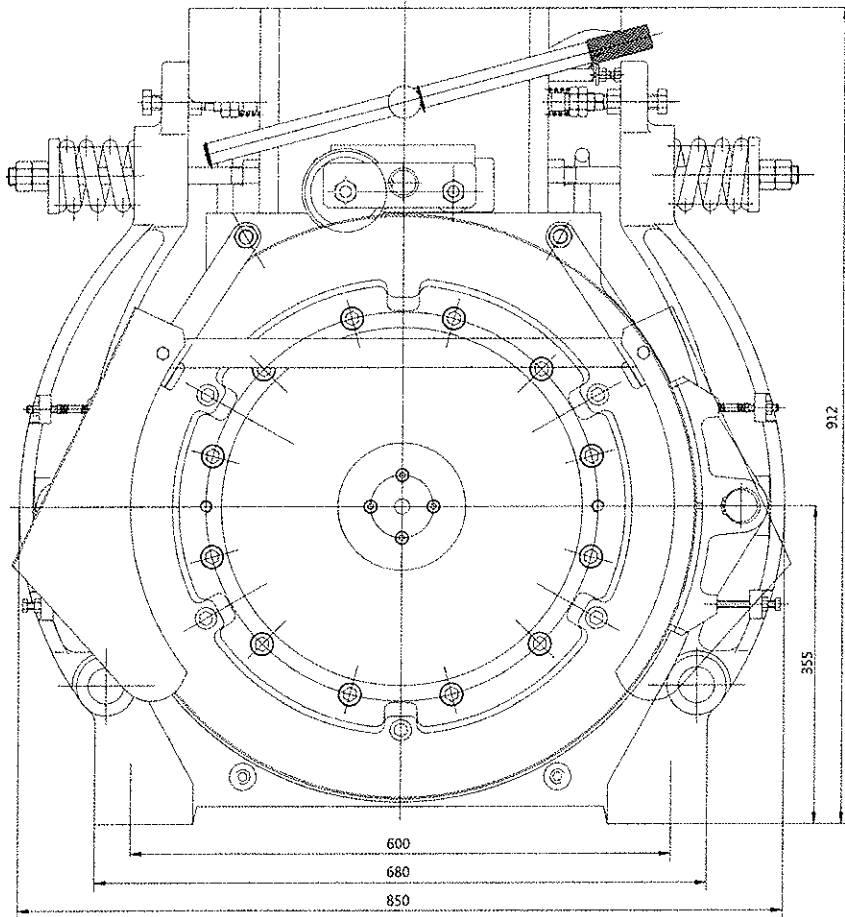


# WYJ103-04

## 1:1 永磁无齿曳引机 PM Gearless traction machine (1000kg)

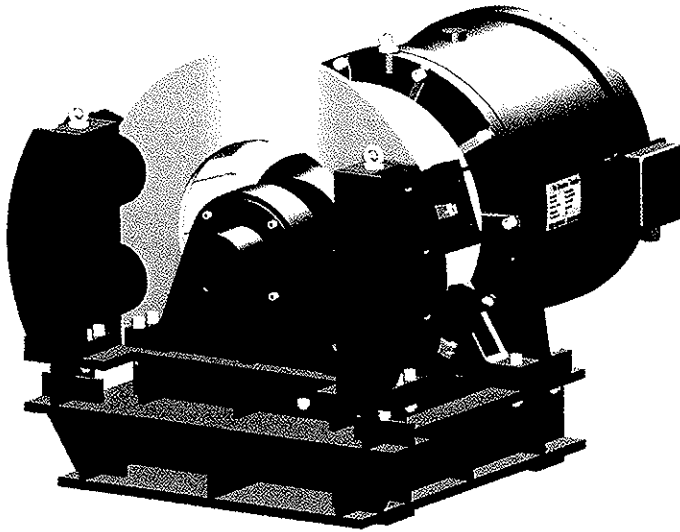


型号规格 Type	WYJ103-04				
曳引比 Traction Ratio	1:1				
额定电压(V) Rated voltage	380				
额定载重(kg) Rated load	1000				
最大轴载荷(kN) Max axle load	90				
自重(kg) Self weight	900				
梯速(m/s) Lift speed	1	1.6	1.75	2	2.5
曳引轮槽数 Sheave groove No	6				

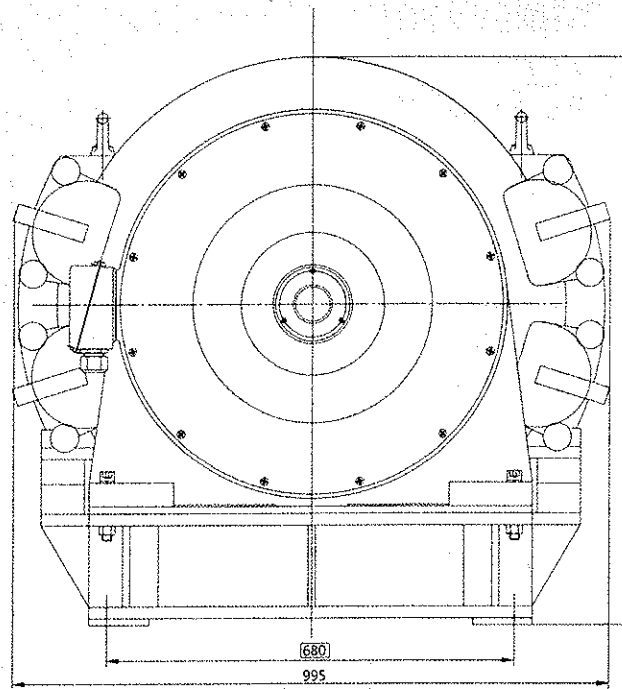
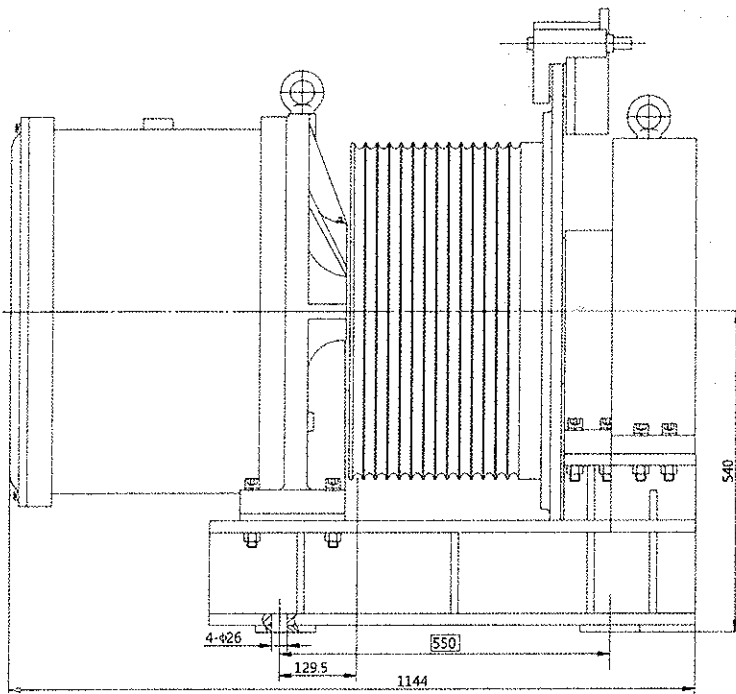


WYJ103-04.6

1:1永磁无齿曳引机 PM Gearless traction machine  
(1600kg 3m/s)



型号规格 Type	WYJ103-04.6
曳引比 Traction ratio	1:1
额定电压(V) Rated voltage	380
额定载重(kg) Rated load	1600
最大轴载荷(kN) Max axle load	180
自重(kg) Self weight	1800
梯速(m/s) Lift speed	3
曳引轮槽数 Sheave groove No	14 (双绕)





注：1.制动器有198VDC打开/99VDC维持、99VDC打开/49VDC维持两种规格；

2.曳引轮绳槽可以根据客户特殊要求做非标设计。

1.Two specification of brake for choice: 198VDC Open/99VDC Keep or 99VDC Open/49VDC Keep

2.Special design of sheave groove is available.

电机 Motor						曳引轮(带切口V形槽) Sheave (with V groove profiles)					质量 (kg) weight	绕法 Wrap
极数 Pole	额定电压 (V) Rated voltage	启动电流 (A) starting current	额定电流 (A) Rated current	额定功率 (kW) Rated power	额定频率 (Hz) Rated frequency	节径 (mm) Pitch line	绳槽 nxd Rope groove	槽距 (mm) Pitch	$\beta$	$\gamma$		
20	220	8.1	5.4	1.2	10.6	240	3 × $\phi$ 6.5	12	85	45	150	单Single
38	380	11.4	7.6	3.2	30.2	400	4 × $\phi$ 10	16	90	60	290	单Single
38	380	18.2	12.1	5.13	48.2	400	4 × $\phi$ 10	16	90	60	295	单Single
38	380	15.75	10.5	4.6	30.2	400	4 × $\phi$ 10	16	90	60	300	单Single
38	380	27.5	18.3	7.36	48.2	400	4 × $\phi$ 10	16	90	60	300	单Single
38	380	27.5	18.3	8	52.9	400	4 × $\phi$ 10	16	90	60	300	单Single
24	380	18.2	11	5.5	19.1	400	5 × $\phi$ 10	16	90	60	360	单Single
24	380	27	18	8.2	28.6	400	5 × $\phi$ 10	16	90	60	365	单Single
24	380	27	18	8.8	30.6	400	5 × $\phi$ 10	16	90	60	365	单Single
24	380	27	18	9.6	33.4	400	5 × $\phi$ 10	16	90	60	365	单Single
24	380	19.5	13	6.7	19.1	400	6 × $\phi$ 10	16	90	60	370	单Single
24	380	34.5	23	10.1	28.6	400	6 × $\phi$ 10	16	90	60	370	单Single
24	380	34.5	23	10.7	30.6	400	6 × $\phi$ 10	16	90	60	370	单Single
24	380	34.5	23	11.7	33.4	400	6 × $\phi$ 10	16	90	60	370	单Single
24	380	40.5	27	13.4	38.2	400	7 × $\phi$ 10	16	97	60	375	单Single
24	380	51	34	16.8	47.8	400	7 × $\phi$ 10	16	97	60	375	单Single
24	380	25	16.7	8.6	17.4	440	7 × $\phi$ 10	18	90	60	550	单Single
24	380	43.95	29.3	13.8	27.8	440	7 × $\phi$ 10	18	90	60	550	单Single
24	380	43.95	29.3	15.1	30.4	440	7 × $\phi$ 10	18	90	60	550	单Single
24	380	67.2	44.8	18.3	31.8	480	7 × $\phi$ 10	18	90	60	550	单Single
24	380	67.2	44.8	22.9	39.8	480	7 × $\phi$ 10	18	90	60	550	单Single
24	380	28.55	19.03	10.45	17.4	440	7 × $\phi$ 11	19	90	60	570	单Single
24	380	49.37	32.91	16.73	27.8	440	7 × $\phi$ 11	19	90	60	570	单Single
24	380	49.37	32.91	18.29	30.4	440	7 × $\phi$ 11	19	90	60	570	单Single
24	380	69	46	27.2	39.8	480	7 × $\phi$ 12	20	95	65	580	单Single
38	380	13.95	9.3	4.5	13.74	440	6 × $\phi$ 10	18	90	60	550	单Single
38	380	15.5	10.3	5	13.74	440	7 × $\phi$ 10	18	90	60	550	单Single
38	380	24.72	16.48	8	22	440	7 × $\phi$ 10	18	90	60	550	单Single
38	380	24.72	16.48	8.75	24.05	440	7 × $\phi$ 10	18	90	60	550	单Single
38	380	20.43	13.6	6.61	10.8	560	6 × $\phi$ 12	20	90	45	900	单Single
38	380	35.56	23.7	10.6	17.3	560	6 × $\phi$ 12	20	90	45	900	单Single
38	380	35.56	23.7	11.56	18.9	560	6 × $\phi$ 12	20	90	45	900	单Single
38	380	49.2	32.8	13.22	21.6	560	6 × $\phi$ 12	20	90	45	900	单Single
38	380	49.2	32.8	16.52	27	560	6 × $\phi$ 12	20	90	45	900	单Single
38	380	85.5	57	30.5	32.4	560	7 × $\phi$ 14	20	U形	40	1800	双Double

# WYJ103永磁同步无齿曳引机标准配置规格表

Standard configuration specification list of WYJ103 PM Gearless traction machine

系列 Series	型号 Model	曳引比 Traction ratio	额定载重 (kg) Rated load	额定速度 (m/s) Rated speed	额定转速 (r/min) Rotated speed	额定转矩 (N·m) Rated torque	提升高度 (m) Lifting height	最大轴负 (N) axis load
WYJ103-02	WYJ103-02.5	2 : 1	400	0.4	63.7	180	10	12000
	WYJ103-02.4	2 : 1	450	1	95.5	320	50	27000
	WYJ103-02.4	2 : 1	450	1.6	153	320	80	27000
	WYJ103-02.1	2 : 1	630	1	95.5	460	50	39000
	WYJ103-02.1	2 : 1	630	1.6	153	460	80	39000
	WYJ103-02.1	2 : 1	630	1.75	167	460	80	39000
	WYJ103-02.2	2 : 1	800	1	95.5	550	50	48000
	WYJ103-02.2	2 : 1	800	1.5	143	550	80	48000
	WYJ103-02.2	2 : 1	800	1.6	153	550	80	48000
	WYJ103-02.2	2 : 1	800	1.75	167	550	80	48000
	WYJ103-02.3	2 : 1	1000	1	95.5	670	50	52000
	WYJ103-02.3	2 : 1	1000	1.5	143	670	80	52000
	WYJ103-02.3	2 : 1	1000	1.6	153	670	80	52000
	WYJ103-02.3	2 : 1	1000	1.75	167	670	80	52000
	WYJ103-02.3	2 : 1	1000	2	191	670	100	52000
WYJ103-02.3	2 : 1	1000	2.5	239	670	120	52000	
WYJ103-05	WYJ103-05	2 : 1	1350	1	86.8	950	50	76000
	WYJ103-05	2 : 1	1350	1.6	138.9	950	80	76000
	WYJ103-05	2 : 1	1350	1.75	151.9	950	80	76000
	WYJ103-05	2 : 1	1350	2	159.2	1100	100	76000
	WYJ103-05	2 : 1	1350	2.5	198.9	1100	120	76000
	WYJ103-05.2	2 : 1	1600	1	86.8	1100	50	76000
	WYJ103-05.2	2 : 1	1600	1.6	138.9	1100	80	76000
	WYJ103-05.2	2 : 1	1600	1.75	151.9	1100	80	76000
WYJ103-05.2	2 : 1	1600	2.5	198.9	1300	120	76000	
WYJ103-04	WYJ103-04.1	1 : 1	630	1	43.4	980	50	76000
	WYJ103-04.2	1 : 1	800	1	43.4	1100	50	76000
	WYJ103-04.2	1 : 1	800	1.6	69.5	1100	80	76000
	WYJ103-04.2	1 : 1	800	1.75	75.96	1100	80	76000
	WYJ103-04	1 : 1	1000	1	34.2	1850	50	90000
	WYJ103-04	1 : 1	1000	1.6	54.6	1850	80	90000
	WYJ103-04	1 : 1	1000	1.75	59.7	1850	80	90000
	WYJ103-04	1 : 1	1000	2	68.3	1850	100	90000
	WYJ103-04	1 : 1	1000	2.5	85.3	1850	120	90000
	WYJ103-04.6	1 : 1	1600	3	102.3	2820	120	180000