

QUICKFLANGE TECHNOLOGY AS



Revision Status

Quickflange Document No: QFT-D-100.277

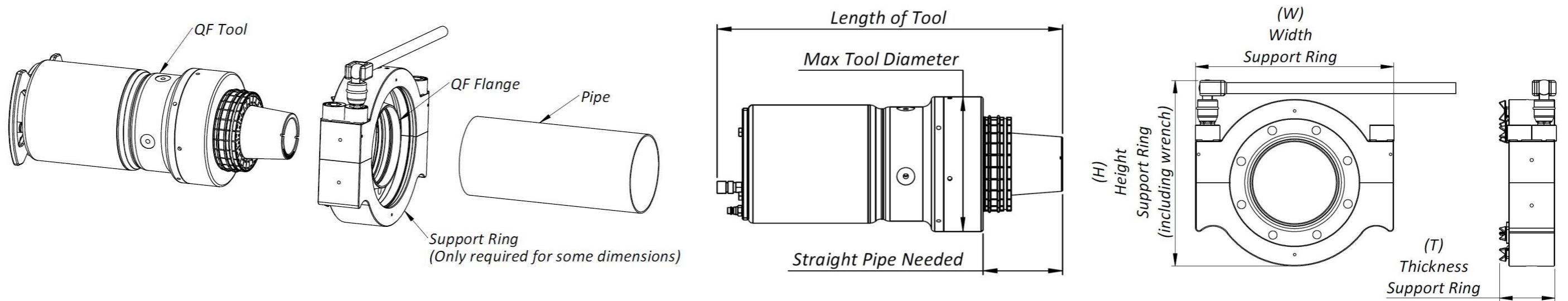
| Rev. | Date | Reason for Issue | Originated by | Checked by | Approved by | Remarks |
|------|------------|---|---------------|------------|-------------|---------|
| 18 | 25.01.2017 | Added: Imperial measurements. | TER | GOK | FT | |
| 17 | 06.06.2016 | Added: Sch 10S, Sch 40S, Sch 80S & CL150 2 1/2" S10S | TER | GOK | FT | |
| 16 | 09.05.2016 | Updated: CL300 2" S160, CL300 2" S80 Added: D130 for CL150, CL300 CuNi 4" (All dimensions are D130) | TER | GOK | FT | |
| 15 | 02.03.2016 | Added : CL150 8" S30 custom forged, CL150 12" S30 custom forged, & CL150 12" S40 | GOK | TER | FT | |
| 14 | 07.10.2015 | Updated: CuNi 1,25" and Cuni 1,5" | TER | GOK | FT | |

| | |
|---|---------------------|
| Document Title: | Client Document No: |
| Table - Critical Dimensions Quickflange Tools | - |
| Client: | - |
| Project No: | - |
| Pages Document: | 3 |
| Pages Attached: | 0 |
| Quickflange Technology AS Postboks 3 Hovedgata 10, 4901 Tvedestrand Tel: + 47 41 48 70 00 mail.no@quickflange.com | |
| This document contains confidential information. Not to be reproduced and/or made available to others without our written consent. All rights reserved. | |

NOTES:

1. If dimensions are not met, please contact Quickflange for special solution.
2. Other materials / dimensions than those listed are available on request.
3. RCT = Reverse Cone Tool
4. Length of Tool is excluding 70mm hydraulic hose elbow-connections, which can be connected after the QF Tool has been inserted into the pipe.
5. Support Ring only required for some dimensions. NA means that no support ring is required.

SKETCHES:



Metric

| NPS | Pressure Rating | Pipe Material & Wall Thickness (See Note 2) | Tool Driver | Weight of Tool (kg) | Weight of Support Ring (kg) (See Note 5) | Straight Pipe Needed (mm) | Length of Tool (mm) (See Note 4) | Max Tool Diameter (mm) | Support Ring Dimensions (HxWxT) (mm) (See Note 5) | |
|-------------------------|------------------------|--|-------------------|------------------------|--|------------------------------|--|----------------------------|--|-----------------|
| ¾" | 16/20bar | CuNi WT2,0 | D45 RCT | 4,2 | NA | 85 | 350 | 80 (145 Including Handle) | NA | |
| 1" | 16/20bar | CuNi WT2,5 | D45 RCT | 4,3 | NA | 85 | 350 | 80 (145 Including Handle) | NA | |
| | 150/300 | 316(L) Sch 10S | | | | | | | | |
| | | TP321 Sch 10S | | | | | | | | |
| | | 6Mo Sch 10S | | | | | | | | |
| | | A106 Gr. B / A333 Gr. 6 Sch 40 | | | | | | | | |
| | | 316(L) Sch 40S | | | | | | | | |
| | | 6Mo Sch 40S | | | | | | | | |
| | Sch 160 | | | | | | | | | |
| | S. Duplex Sch 10S | D95 RCT | 17,5 | NA | 105 | 500 | 150 (215 Including Handle) | NA | | |
| | Duplex Sch 40S | | | | | | | | | |
| S. Duplex Sch 40S | | | | | | | | | | |
| Sch 80/80S | | | | | | | | | | |
| 1 ¼" | 150/300 | Sch 40 | XP1 | 6,0 | NA | 95 | 410 | 110 (165 Including Handle) | NA | |
| 1 ½" | 16/20bar | CuNi WT2,5 | D45 RCT | 4,6 | NA | 93 | 370 | 85 (150 Including Handle) | NA | |
| | 150/300 | Sch 10S/40/40S/80/80S/160 | D95 RCT | 17,5 | NA | 110 | 475 | 150 (215 Including Handle) | NA | |
| 2" | 150/300 | Sch 10S/40/40S | D95 | 16,5 | NA | 115 | 480 | 150 (215 Including Handle) | NA | |
| | 16/20bar | CuNi WT2,5 | D95 RCT | 19,5 | NA | 115 | 485 | 150 (215 Including Handle) | NA | |
| | 150/300 | Sch 80/80S | | | | | | | | |
| | 16/20bar | CuNi WT3,0 | D95 RCT | 18,5 | NA | 115 | 475 | 150 (215 Including Handle) | NA | |
| | 600/900 | 150/300 | Sch 160 | D95 RCT | 23,5 | NA | 110 | 510 | 155 (215 Including Handle) | NA |
| | | Sch 40/40S | D95 RCT | 19,0 | NA | 130 | 490 | 150 (215 Including Handle) | NA | |
| | | Sch 80 | D95 RCT | 19,0 | NA | 110 | 490 | 150 (215 Including Handle) | NA | |
| | | Sch 160 | D95 RCT | 23,0 | NA | 130 | 535 | 155 (215 Including Handle) | NA | |
| 2 ½" | 150 | Sch 10S | D95 | 17,9 | NA | 120 | 480 | 156 (215 Including Handle) | NA | |
| | 150/300 | Sch 40/40S | D95 | 19,0 | NA | 120 | 480 | 150 (215 Including Handle) | NA | |
| | 16/20bar | CuNi WT2,5 | D95 | 18,5 | NA | 120 | 485 | 150 (215 Including Handle) | NA | |
| 3" | 150/300 | 316(L) Sch 10S | D95 | 20,0 | NA | 120 | 490 | 160 (215 Including Handle) | NA | |
| | | TP321 Sch 10S | | | | | | | | |
| | | 6Mo Sch 10S | | | | | | | | |
| | | Sch 40/40S | | | | | | | | |
| | 150/300/600 | S. Duplex Sch 10S | D95 RCT | 25,0 | NA | 115 | 515 | 155 (215 Including Handle) | NA | |
| | | Duplex Sch 10S | | | | | | | | |
| 16/20bar | CuNi WT2,0/WT2,5/WT3,0 | D95 | 19,5 | NA | 120 | 485 | 150 (215 Including Handle) | NA | | |
| 4" | 150/300 | Sch 10S/40/40S | D130 / D3 | 60,0 | NA | 155 | 555 | 230 (370 Including Handle) | NA | |
| | 150 | Sch 80 | | | | | | | | |
| | 16/20bar | CuNi WT2,5 & WT3,0 | | | | | | | | |
| | 300 | Sch 80 | XP3 RCT | 123,0 | NA | 190 | 847 | 280 (400 Including Handle) | NA | |
| | 600 | Sch 80 | XP3 RCT | 124,0 | NA | 220 | 875 | | | |
| 5" | 150/300 | Sch 10S/40 | D3 | 48,0 | 33,3 | 165 | 545 | 235 (325 Including Handle) | 400 x 415 x 75 | |
| 6" | 150/300 | Sch 10S/40/40S | D3 | 55,0 | 24,5 | 145 | 555 | 270 (325 Including Handle) | 410 x 400 x 165 | |
| | 16/20bar | CuNi WT2,5/WT3,0/WT3,5 | | | | | | | | |
| | 150/300 | Sch 80 | XP3 RCT | 135,0 | 24,5 | 185 | 735 | 280 (400 Including Handle) | 410 x 400 x 165 | |
| | 600 | Sch80 | XP3 RCT | 143,8 | NA | 337 | 965 | 280 (400 Including Handle) | NA | |
| | 900 | Sch 120 | XP3 RCT | 135,0 | NA | 220 | 850 | 280 (400 Including Handle) | NA | |
| 8" | 150 | Sch 20/30 Custom Forged | XP3 RCT | 157,0 | 44,0 | 255 | 880 | 320 (400 Including Handle) | 500 x 520 x 170 | |
| | 150/300 | Sch 10S/20/30/40/40S/60 | | 145,0 | 49,5 | 190 | 705 | 320 (400 Including Handle) | 500 x 520 x 170 | |
| | 16/20bar | CuNi WT4,5 | | 155,5 | NA | 240 | 750 | 320 (400 Including Handle) | NA | |
| | 300 | Sch 80 | | 160,7 | NA | 254 | 876 | 329 (400 Including Handle) | NA | |
| | 600 | | | | | | | | | |
| 10" | 150 | S. Duplex Sch 10S | D5 RCT | 486,2 | 57,3 | 285 | 1112 | 410 (636 Including Handle) | 530 x 590 x 175 | |
| | | Sch 20/30/40 | XP3 RCT | 152,5 | 47,0 | 190 | 700 | 315 (400 Including Handle) | 520 x 590 x 170 | |
| | 300 | Sch 20 | XP3 RCT | 152,5 | 66,5 | 190 | 700 | 315 (400 Including Handle) | 650 x 630 x 170 | |
| | 150 | XS | D5 RCT | 486,2 | 57,3 | 285 | 1112 | 410 (636 Including Handle) | 530 x 590 x 175 | |
| | 16/20bar | CuNi WT4,5 | XP3 RCT | 157,3 | 47,0 | 190 | 810 | 320 (400 Including Handle) | 520 x 590 x 170 | |
| | 12" | 150 | S. Duplex Sch 10S | D5 RCT | 499,4 | 52,8 | 285 | 1112 | 410 (636 Including Handle) | 630 x 630 x 175 |
| Sch 20/30 Custom Forged | | | 521,0 | | 128,0 | 340 | 1190 | 410 (636 Including Handle) | 740 x 890 x 195 | |
| Sch 40 | | | 510,0 | | 128,0 | 285 | 1140 | 410 (636 Including Handle) | 740 x 890 x 195 | |
| 16/20bar | | Sch 20/30/STD | XP3 RCT | 175,0 | 59,5 | 190 | 810 | 340 (400 Including Handle) | 630 x 630 x 175 | |
| | | CuNi WT5,5 | | | | | | | | |
| | | CuNi WT7,0 | | | | | | | | |
| | | Sch 20 | | | | | | | | XP3 RCT |
| 14" | 300 | Sch 20 | D5 RCT | 510,0 | 110,0 | 306 | 1155 | 500 (636 Including Handle) | 740 x 890 x 195 | |
| | 150/300 | Sch 30 | | 523,6 | NA | 301 | 1123 | 470 (636 Including Handle) | NA | |

Imperial

| NPS | Pressure Rating | Pipe Material & Wall Thickness (See Note 2) | Tool Driver | Weight of Tool (lbs) | Weight of Support Ring (lbs) (See Note 5) | Straight Pipe Needed (in) | Length of Tool (in) (See Note 4) | Max Tool Diameter (in) | Support Ring Dimensions (HxWxT) (in) (See Note 5) |
|-------------------|------------------------|--|-------------|-------------------------|---|------------------------------|--|--------------------------------------|--|
| ¾" | 16/20bar | CuNi WT2,0 | D45 RCT | 9,3 | NA | 3 3/8 | 13 13/16 | 3 3/16 (5 3/4 Including Handle) | NA |
| 1" | 150/300 | CuNi WT2,5 | D45 RCT | 9,5 | NA | 3 3/8 | 13 13/16 | 3 3/16 (5 3/4 Including Handle) | NA |
| | | 316(L) Sch 10S | | | | | | | |
| | | TP321 Sch 10S | | | | | | | |
| | | 6Mo Sch 10S | | | | | | | |
| | | A106 Gr. B / A333 Gr. 6 Sch 40 | | | | | | | |
| | | 316(L) Sch 40S | | | | | | | |
| | | 6Mo Sch 40S | | | | | | | |
| | | Sch 160 | | | | | | | |
| | | S. Duplex Sch 10S | D95 RCT | 38,6 | NA | 4 3/16 | 19 11/16 | 5 15/16 (8 1/2 Including Handle) | NA |
| | | Duplex Sch 40S | | | | | | | |
| S. Duplex Sch 40S | | | | | | | | | |
| Sch 80/80S | | | | | | | | | |
| 1 ¼" | 150/300 | Sch 40 | XP1 | 13,2 | NA | 3 3/4 | 16 3/16 | 4 3/8 (6 1/2 Including Handle) | NA |
| | 16/20bar | CuNi WT2,5 | D45 RCT | 10,1 | NA | 3 11/16 | 14 5/8 | 3 3/8 (5 15/16 Including Handle) | NA |
| 1 ½" | 16/20bar | CuNi WT2,5 & WT3,0 | D45 RCT | 10,8 | NA | 3 3/4 | 14 5/8 | 3 9/16 (5 15/16 Including Handle) | NA |
| | 150/300 | Sch 10S/40/40S/80/80S/160 | D95 RCT | 38,6 | NA | 4 3/8 | 18 3/4 | 5 15/16 (8 1/2 Including Handle) | NA |
| 2" | 150/300 | Sch 10S/40/40S | D95 | 36,4 | NA | 4 9/16 | 18 15/16 | 5 15/16 (8 1/2 Including Handle) | NA |
| | 16/20bar | CuNi WT2,5 | | | | | | | |
| | 150/300 | Sch 80/80S | D95 RCT | 43,0 | NA | 4 9/16 | 19 1/8 | 5 15/16 (8 1/2 Including Handle) | NA |
| | 16/20bar | CuNi WT3,0 | D95 RCT | 40,8 | NA | 4 9/16 | 18 3/4 | 5 15/16 (8 1/2 Including Handle) | NA |
| | 150/300 | Sch 160 | D95 RCT | 51,8 | NA | 4 3/8 | 20 1/8 | 6 1/8 (8 1/2 Including Handle) | NA |
| | 600/900 | Sch 40/40S | D95 RCT | 41,9 | NA | 5 1/8 | 19 5/16 | 5 15/16 (8 1/2 Including Handle) | NA |
| | | Sch 80 | D95 RCT | 41,9 | NA | 4 3/8 | 19 5/16 | 5 15/16 (8 1/2 Including Handle) | NA |
| | | Sch 160 | D95 RCT | 50,7 | NA | 5 1/8 | 21 1/8 | 6 1/8 (8 1/2 Including Handle) | NA |
| 2 ½" | 150 | Sch 10S | D95 | 39,5 | NA | 4 3/4 | 18 15/16 | 6 3/16 (8 1/2 Including Handle) | NA |
| | 150/300 | Sch 40/40S | D95 | 41,9 | NA | 4 3/4 | 18 15/16 | 5 15/16 (8 1/2 Including Handle) | NA |
| | 16/20bar | CuNi WT2,5 | D95 | 40,8 | NA | 4 3/4 | 19 1/8 | 5 15/16 (8 1/2 Including Handle) | NA |
| 3" | 150/300 | 316(L) Sch 10S | D95 | 44,1 | NA | 4 3/4 | 19 5/16 | 6 5/16 (8 1/2 Including Handle) | NA |
| | | TP321 Sch 10S | | | | | | | |
| | | 6Mo Sch 10S | | | | | | | |
| | | Sch 40/40S | | | | | | | |
| | | S. Duplex Sch 10S | | | | | | | |
| | Duplex Sch 10S | D95 RCT | 55,1 | NA | 4 9/16 | 20 5/16 | 6 1/8 (8 1/2 Including Handle) | NA | |
| 150/300/600 | Sch 80 | D95 RCT | 49,6 | NA | 5 3/8 | 18 9/16 | 5 15/16 (8 1/2 Including Handle) | NA | |
| 16/20bar | CuNi WT2,0/WT2,5/WT3,0 | D95 | 43,0 | NA | 4 3/4 | 19 1/8 | 5 15/16 (8 1/2 Including Handle) | NA | |
| 4" | 150/300 | Sch 10S/40/40S | D130 / D3 | 132,3 | NA | 6 1/8 | 21 7/8 | 9 1/16 (14 5/8 Including Handle) | NA |
| | 150 | Sch 80 | | | | | | | |
| | 16/20bar | CuNi WT2,5 & WT3,0 | | | | | | | |
| | 300 | Sch 80 | XP3 RCT | 271,2 | NA | 7 1/2 | 33 3/8 | 11 1/16 (15 3/4 Including Handle) | NA |
| | 600 | Sch 80 | XP3 RCT | 273,4 | NA | 8 11/16 | 34 1/2 | | |
| 5" | 150/300 | Sch 10S/40 | D3 | 105,8 | 73,4 | 6 1/2 | 21 1/2 | 9 5/16 (12 13/16 Including Handle) | 15 3/4 x 16 3/8 x 3 |
| 6" | 150/300 | Sch 10S/40/40S | D3 | 121,3 | 54,0 | 5 3/4 | 21 7/8 | 10 11/16 (12 13/16 Including Handle) | 16 3/16 x 15 3/4 x 6 1/2 |
| | 16/20bar | CuNi WT2,5/WT3,0/WT3,5 | | | | | | | |
| | 150/300 | Sch 80 | XP3 RCT | 297,6 | 54,0 | 7 5/16 | 28 15/16 | 11 1/16 (15 3/4 Including Handle) | 16 3/16 x 15 3/4 x 6 1/2 |
| | 600 | Sch80 | XP3 RCT | 317,0 | NA | 13 5/16 | 38 | 11 1/16 (15 3/4 Including Handle) | NA |
| | 900 | Sch 120 | XP3 RCT | 297,6 | NA | 8 11/16 | 33 1/2 | 11 1/16 (15 3/4 Including Handle) | NA |
| 8" | 150 | Sch 20/30 Custom Forged | XP3 RCT | 346,1 | 97,0 | 10 1/16 | 34 11/16 | 12 5/8 (15 3/4 Including Handle) | 19 11/16 x 20 1/2 x 6 3/4 |
| | 150/300 | Sch 10S/20/30/40/40S/60 | | 319,7 | 109,1 | 7 1/2 | 27 13/16 | 12 5/8 (15 3/4 Including Handle) | 19 11/16 x 20 1/2 x 6 3/4 |
| | 16/20bar | CuNi WT4,5 | | 342,8 | NA | 9 1/2 | 29 9/16 | 12 5/8 (15 3/4 Including Handle) | NA |
| | 300 | Sch 80 | | 354,3 | NA | 10 | 34 1/2 | 13 (15 3/4 Including Handle) | NA |
| | 600 | | | | | | | | |
| 10" | 150 | S. Duplex Sch 10S | D5 RCT | 1071,9 | 126,3 | 11 1/4 | 43 13/16 | 16 3/16 (25 1/16 Including Handle) | 20 7/8 x 23 1/4 x 6 15/16 |
| | | Sch 20/30/40 | XP3 RCT | 336,2 | 103,6 | 7 1/2 | 27 9/16 | 12 7/16 (15 3/4 Including Handle) | 20 1/2 x 23 1/4 x 6 3/4 |
| | 300 | Sch 20 | XP3 RCT | 336,2 | 146,6 | 7 1/2 | 27 9/16 | 12 7/16 (15 3/4 Including Handle) | 25 5/8 x 24 13/16 x 6 3/4 |
| | 150 | XS | D5 RCT | 1071,9 | 126,3 | 11 1/4 | 43 13/16 | 16 3/16 (25 1/16 Including Handle) | 20 7/8 x 23 1/4 x 6 15/16 |
| | 16/20bar | CuNi WT4,5 | XP3 RCT | 346,8 | 103,6 | 7 1/2 | 31 15/16 | 12 5/8 (15 3/4 Including Handle) | 20 1/2 x 23 1/4 x 6 3/4 |
| | | | | | | | | | |
| 12" | 150 | S. Duplex Sch 10S | D5 RCT | 1101,0 | 116,4 | 11 1/4 | 43 13/16 | 16 3/16 (25 1/16 Including Handle) | 24 13/16 x 24 13/16 x 6 15/16 |
| | | Sch 20/30 Custom Forged | | 1148,6 | 282,2 | 13 7/16 | 46 7/8 | 16 3/16 (25 1/16 Including Handle) | 29 3/16 x 35 1/16 x 7 11/16 |
| | | Sch 40 | | 1124,4 | 282,2 | 11 1/4 | 44 15/16 | 16 3/16 (25 1/16 Including Handle) | 29 3/16 x 35 1/16 x 7 11/16 |
| | | Sch 20/30/STD | | | | | | | |
| | 16/20bar | CuNi WT5,5 | XP3 RCT | 385,8 | 131,2 | 7 1/2 | 31 15/16 | 13 7/16 (15 3/4 Including Handle) | 24 13/16 x 24 13/16 x 6 15/16 |
| | 300 | CuNi WT7,0 | | | | | | | |
| 14" | 300 | Sch 20 | XP3 RCT | 385,8 | 132,3 | 7 1/2 | 31 15/16 | 13 7/16 (15 3/4 Including Handle) | 25 7/16 x 25 5/8 x 6 15/16 |
| | 300 | Sch 20 | D5 RCT | 1124,4 | 242,5 | 12 1/16 | 45 1/2 | 19 11/16 (25 1/16 Including Handle) | 29 3/16 x 35 1/16 x 7 11/16 |
| | 150/300 | Sch 30 | | 1154,4 | NA | 11 7/8 | 44 1/4 | 18 9/16 (25 1/16 Including Handle) | NA |