

Doc M Collection

Redefining Accessibility



ideal
BATHROOMS

*Armitage
Shanks*

Find your complete Doc M solution



Why choose Ideal Bathrooms?

We have worked closely with Armitage Shanks to include key Doc M packs and related products in our stock holding to help support merchants and retailers with all your commercial needs.

We are pledging to have these products highlighted with a blue van, stocked in volumes and available to you, on next day delivery.



UNBEATABLE STOCK

across the Ideal Standard & Armitage Shanks collections



NATIONWIDE NEXT DAY DELIVERY



ALWAYS IN STOCK*

2 national DC's
153,000sq ft



24/7 ORDERING AVAILABLE

order the way you want: online, email, WhatsApp or phone



99% OTIF

99% of all deliveries are delivered on time in full



UNPARALLELED CUSTOMER SUPPORT

by bathroom specialists

Armitage Shanks



UNRIVALLED Armitage Shanks stock holding across the UK



375+ Armitage Shanks products available next day
50 Doc M packs available next day!



1,000+ Armitage Shanks product lines available for you
70 Doc M packs available for you!



DEDICATED Business development team on hand to support with contract orders

* Next day and always in stock available on Ideal Bathrooms best selling product lines



ORDER ONLINE
idealbathrooms.com



WHATSAPP US
07451 282059



CALL US
0800 634 2600



EMAIL US
neworders@idealbathrooms.com



THE DOC M COLLECTION

from Armitage Shanks.

We launched the UK's first ever WC pack specifically designed to comply with access regulations for the less able, in 1993 and we've been developing our solutions ever since.

Today, our fully compliant packs are designed to meet the highest standards of performance, durability and user comfort.

Each pack includes:

- Layout specifications for Document M compliance and peace of mind
- High-contrast, colour-matched components to support users with visual impairments
- Ergonomic design for ease of use, comfort and dignity
- Robust, easy-clean materials to simplify maintenance and support hygiene standards

We deliver accessible solutions that look as good as they perform, making them ideal for commercial, healthcare, education and public environments.

When you choose Armitage Shanks, you're investing in innovative, inclusive design backed by generations of experience, tested reliability, and a commitment to never compromising on quality.

ONLY WE HAVE
*this***ABILITY.**

OUR APPROACH

Part M of the Building Regulations is about making buildings more accessible to everyone. And about helping people live their lives more easily.

With washrooms, showers and toilets, that usually means 'functional'. But at Armitage Shanks, we take a different approach.

We believe everyone should be treated equally. So we've created a wide variety of Doc M packs and fittings with the practicality you need to comply with the regulations, the style to co-ordinate with any of our bathroom ranges and the unrivalled quality, service and heritage you'd expect from us.

The Silk Black Doc M Collection — 10

Contemporary Doc M Packs — 12

Document M Pack Requirements — 15

Complying with Document M — 19

Taking into account Part T of the Building Regulations — 28

Doc M Products — 30

Doc M Packs Overview — 42

Guarantees & Support — 83



THE SILK BLACK DOC M COLLECTION



Introducing our new Silk Black Doc M WC and showering packs, designed to break away from the clinical, institutional feel often associated with accessible washrooms.

These packs deliver the full safety, usability and Document M compliance you'd expect from Armitage Shanks, but with a bold, design-led aesthetic that's perfect for contemporary environments.

The Silk Black finish Doc M WC and shower packs collection isn't just good looking. It's also built to perform in the most demanding environments.



From boutique hotels and stylish restaurants to cutting-edge offices and public spaces, Silk Black brings sophistication and inclusivity together. The finish offers a striking alternative to traditional white, all while remaining timeless, understated and effortlessly modern.

Every detail is considered:

- Black finishes for a sleek, refined appearance
- Ergonomic, compliant components to ensure comfort and accessibility
- Thoughtful layout and specification aligned with Document M requirements
- Robust, durable materials built for commercial performance

CONTEMPORARY DOC M PACKS



Combining style and convenience

The wall-hung Contour Sensorflow Doc M packs combine sleek, contemporary styling with advanced touch-free technology for enhanced hygiene and ease of use.

With a Sensorflow 21 basin mixer tap and sensor-activated WC flush, hands-free operation helps to reduce the spread of germs in busy washroom environments.

A TMV3-approved thermostatic valve ensure safe water temperatures.

Designed for comfort, built for independence

Freedom shower packs offer a stylish, fully accessible showering solution with thoughtful features that support ease of use and mobility. They are perfectly designed for care settings, hotels and independent living environments.



Accessible luxury for modern living

The Edit WC pack is a premium wheelchair-accessible ensuite solution, designed to bring comfort, dignity and style to inclusive bathrooms.

Featuring a full extended 750mm WC for ease of use and enhanced comfort, this pack is ideal for hospitality, hotels, care homes and independent living spaces where accessibility and luxury go hand in hand.



WHAT IS DOCUMENT M?

Part M of the UK Building Regulations sets the legal requirements for accessibility and usability within buildings. To assist in meeting these obligations, Approved Document M (commonly referred to as Doc M) provides practical guidance to assist architects, designers and developers. Adhering to the recommendations within Doc M is a common and accepted method to demonstrate compliance with the statutory requirements of Part M, ensuring spaces are truly accessible for everyone.

In line with the Equality Act 2010, which requires reasonable adjustments to be made to physical environments to prevent disadvantage, Document M outlines clear specifications for inclusive design. For washrooms, this includes layout, dimensions, fittings and features that support independent use.

WHAT IS REQUIRED IN A DOCUMENT M WASHROOM, TOILET OR SHOWER FACILITY?

Under Part M and the Equality Act 2010, designers are required to make reasonable adjustments to the built environment to ensure it is accessible to everyone, particularly individuals with reduced mobility or disabilities.

In practical terms, this means that any washroom, toilet or shower facility provided for staff, clients or the public must include features that enable safe, dignified and independent use. This includes accessible layouts, wheelchair turning space, raised WCs, support rails, and compliant fittings.

OVERALL REQUIREMENTS FOR COMPLIANCE

Public and commercial buildings vary widely in their function, layout and scale. However, they must always provide washroom facilities that are accessible to all users, including those with disabilities.

Document M of the Building Regulations sets out the minimum requirements to ensure inclusive access. These guidelines should be read in conjunction with BS 6465 (Scale of Provision), which defines the number of sanitary facilities required for different building types. Importantly, accessible toilets may count towards overall provision if designed and located appropriately.

Specifiers should also refer to BS 8300-2:2018, which complements Document M. It offers more detailed guidance on space planning, layouts and fixtures that support accessibility in real-world applications.



Single Toilet Facilities

Where only one toilet is provided within a premises, it must be a unisex wheelchair-accessible facility with suitable layout, fittings and clearance for independent use.

See page 20 for further specification details.

Multiple Toilet Facilities

Washrooms with multiple cubicles must include a variety of options to meet the needs of different users:

- Standard cubicles
- At least one ambulant cubicle per washroom, fitted with grab rails
- One enlarged cubicle for every four cubicles (including ambulant)
- A unisex wheelchair-accessible washroom located near the main washroom area

See page 20-24 for further specification details.

Hotel and Accommodation Facilities

In hotels, motels, student housing, and hospital relatives' accommodation:

- At least 1 in every 20 bedrooms must be fully wheelchair-accessible
- Accessible rooms should be provided with a 50:50 split of baths and showers to meet varied user preferences

See page 25 for further specification details.

Public Shower Facilities

In settings such as leisure centres, gyms and swimming pools, at least one wheelchair-accessible shower must be provided as part of the overall offering.

See page 26 for further specification details.

Residential WC Facilities

Newly built homes must include a wheelchair-accessible WC on the entrance level in line with Category 1 of the Building Regulations, ensuring basic accessibility is built into all new housing stock.

See page 26 for further specification details



HOW TO COMPLY WITH DOCUMENT M

Achieving compliance with Document M goes beyond simply selecting the right fittings. It requires adherence to carefully defined room layouts and dimensions to ensure facilities are accessible, safe and easy to use, regardless of the user's ability.

The following section outlines key considerations and product requirements when designing washroom, toilet and showering facilities that meet the regulations set out in Document M.

Single toilet facilities

Recommended product solution: see page 70

Large unisex washroom

Where a building provides only one toilet facility, this must be a large unisex wheelchair-accessible washroom designed to meet specific dimensional and functional criteria:

Room layout and dimensions

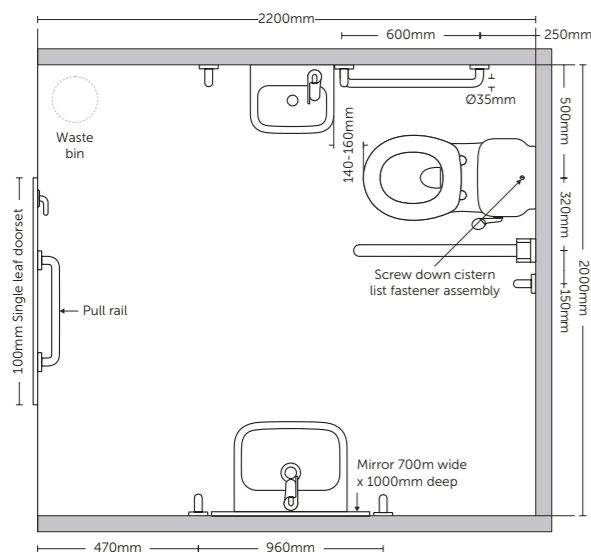
Minimum room size: 2,200mm x 2,000mm.

Door must open outwards to prevent obstruction.

Facility must be unisex (provision within male-only or female-only washrooms is no longer compliant).

- WC** → Raised-height WC: 480mm to seat top
→ WC projection: 750mm from rear wall
- Washbasins** → One wall-hung handrinse basin
→ One standing-height washbasin for ambulant users
- Tap** → Thermostatic mixer tap, TMV3 and Regulation 4 approved, to regulate water temperature and prevent scalding

To support safe and independent use, install the following:
- Grab rails** → 2 x 600mm vertical grab rails by the handrinse washbasin
→ 2 x 600mm vertical grab rails by the standing-height washbasin
→ 1 x hinged support rail on the open side of the WC
→ 1 x 600mm horizontal rail adjacent to the WC
→ 1 x 600mm vertical rail above and beside the drop-down support rail
→ 1 x horizontal grab rail on the inside face of the door (installed 600–700mm centres from the floor)
- Alarm system** → Emergency pull cord with two red bangles, reachable from both seated and floor positions



Multiple toilet facilities

Recommended product solution: see pages 44-51, 62-68

Unisex wheelchair-accessible washroom

In buildings with more than one toilet, Document M requires the inclusion of a unisex wheelchair-accessible washroom located close to the main washroom area. This ensures accessible provision is integrated, convenient and compliant.

Room layout and dimensions

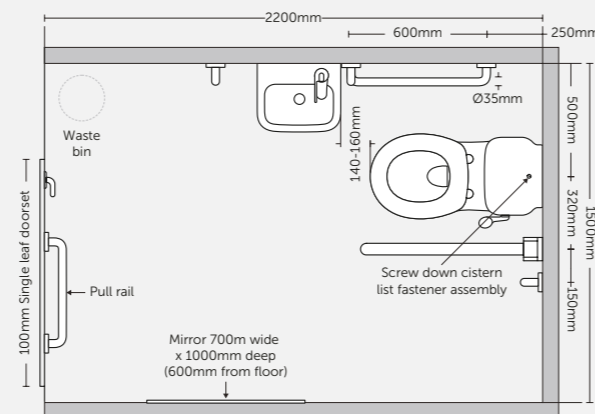
Minimum room size: 2200mm (length) x 1500mm (width).

Door must open outwards to prevent blocking in an emergency.

Facility must be unisex to accommodate all users.

- WC** → Raised-height WC: 480mm to seat top
→ WC projection: 750mm from rear wall
- Washbasin** → Wall-hung washbasin, positioned to allow forward approach by a wheelchair user
- Grab rails** To ensure safe and supported use, install the following:
 - 2 x 600mm vertical grab rails beside the washbasin
 - 1 x hinged support rail on the open side of the WC
 - 1 x 600mm horizontal grab rail alongside the WC
 - 1 x 600mm vertical grab rail next to the horizontal rail
 - 1 x 600mm horizontal grab rail with 100mm projection on the opposite side of the WC
 - 1 x horizontal rail on the inside face of the door

These specifications ensure the space meets Document M requirements, providing essential support and manoeuvrability for wheelchair users while maintaining visual consistency with the overall washroom design.



Multiple toilet facilities

Standard single-sex cubicle

In multi-cubicle washrooms, standard cubicles must be designed to support comfort, privacy and safety for the general population whilst meeting minimum space standards within Approved Document T. This additional document providing guidance on Part T of the Building Regulations and which covers toilet accommodation, came into operation in October 2024.

Key requirements

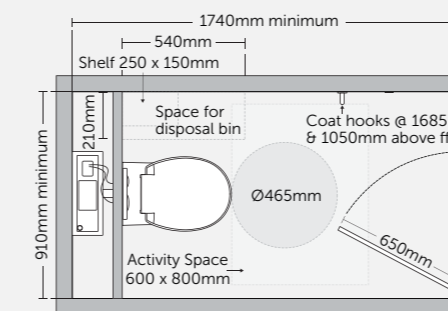
- Minimum internal width: 910mm.
- Minimum internal length: 1740mm.
- Minimum effective clear door opening width: 650mm
- Minimum 465mm diameter clearance / activity space in front of the toilet and clear of the door swing.
- Minimum 600mm x 800mm activity space in front of the toilet inside the cubicle.
- Minimum 540mm x 210mm space provision for a disposal bin
- Integrated shelf for personal belongings.

- WC** → Standard height and projection toilet pan
- Coat hook** → Two hooks, one 1685mm high and one 1050mm high above finished floor level.

Other considerations

- Doors should:
 - Be capable of being unlocked from the outside.
 - Can be lifted off their hinges in an emergency.

These guidelines support safe and efficient use, even in high-traffic environments, whilst offering scope for visual consistency with accessible and ambulant cubicles.



Multiple toilet facilities

Recommended product solution: see page 52 and 74

Ambulant single-sex cubicle

Each washroom must include at least one ambulant cubicle to accommodate users with restricted mobility, such as those who use crutches or have difficulty sitting and standing.

Key requirements

- Minimum internal width: 920mm.
- Minimum internal length: 1465mm.
- Minimum effective clear door opening width: 750mm.
- Minimum 465mm diameter clearance / activity space in front of the toilet and clear of the door swing.
- Minimum 765mm clear space between the toilet & door
- Minimum 600mm x 800mm activity space in front of the toilet inside the cubicle.
- Minimum 540mm x 210mm space provision for a disposal bin
- Integrated shelf for personal belongings.

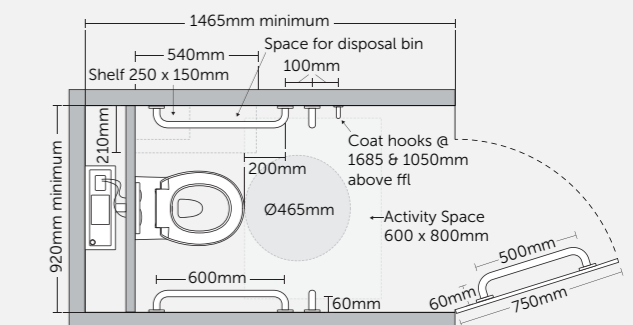
Doors should ideally open outwards, but may open inwards if: They do not obstruct activity space

Other considerations

- Doors should:
 - Be capable of being unlocked from the outside.
 - Can be lifted off their hinges in an emergency

- WC** → Raised-height WC: 480mm to the top of the seat. With visual contrasting seat.
Raised design supports users who find standard WCs difficult to use
- Grab rails** → Two horizontal grab rails, one on each side
→ Two vertical grab rails, one on each side. Provide additional support
→ Horizontal closing bar fitted to the inside of the door to aid users with limited reach or dexterity
- Coat hook** → Two hooks, one 1685mm high and one 1050mm high above finished floor level

Ambulant cubicles form a vital part of an inclusive washroom strategy, offering a discreet and dignified solution for a wide range of users.



Multiple toilet facilities

Four cubicle combination

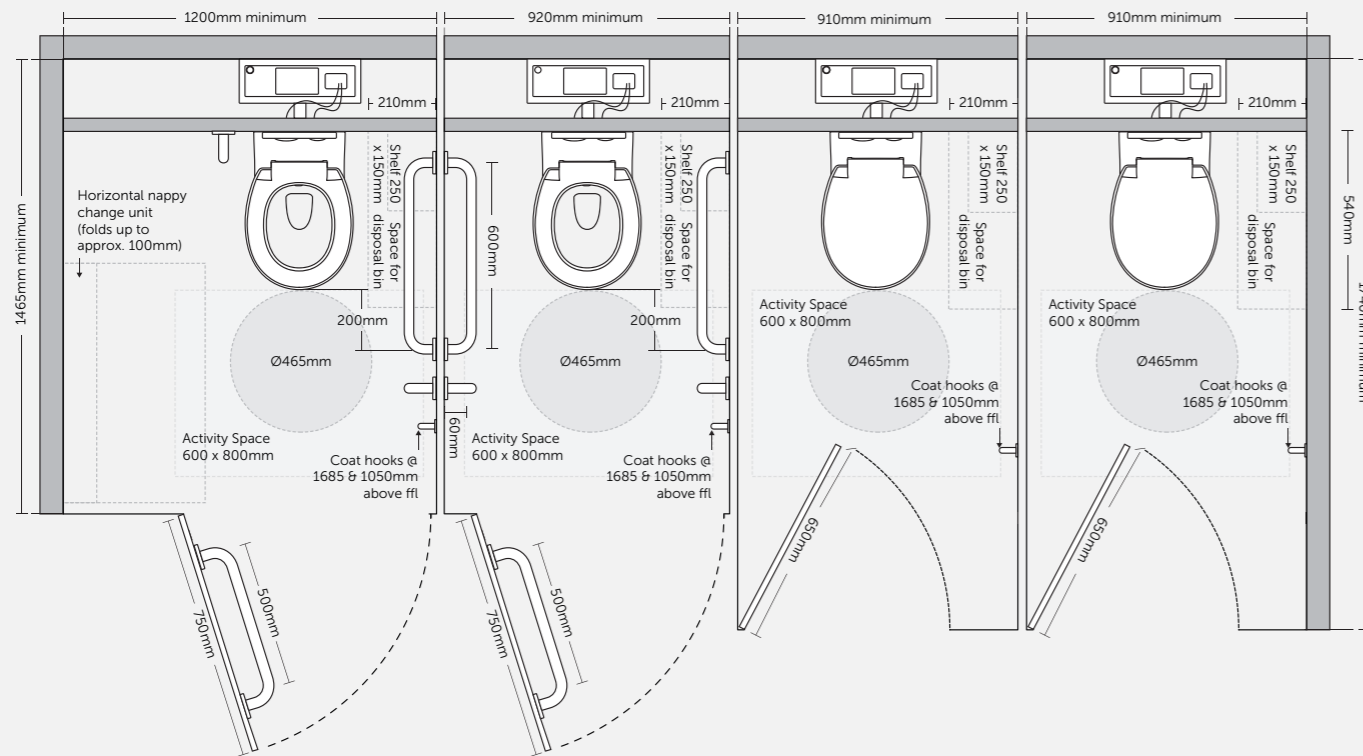
This layout provides a compliant example of a four-cubicle washroom configuration, demonstrating the balance of standard, ambulant and enlarged cubicles required under Document M and Document T.

Key requirements

All washrooms must include at least one ambulant cubicle.

For every four cubicles (including the ambulant), there must be one enlarged cubicle.

This combination supports a wide range of user needs, ensuring both accessibility and convenience while maintaining compliance with Document M, Document T and BS 8300-2:2018.



Multiple toilet facilities

Recommended product solution: see page 76

Enlarged cubicle

In accordance with Document M guidance, for every four cubicles (incl. ambulant), washrooms must include at least one enlarged cubicle. These are designed for users who require additional space, such as parents with young children, people carrying luggage, or ambulant disabled users.

Key requirements

Minimum internal width: 1200mm.

Minimum internal length: 1465mm.

Integrated shelf for personal belongings.

Folding baby changing table must be included unless a separate facility is located adjacent to the washroom.

- WC** → Standard height and projection WC pan
- Grab rails** → One horizontal and one vertical grab rail positioned around the WC for support
- Horizontal closing bar fitted to the inside of the door to aid users with limited reach or dexterity

Enlarged cubicles enhance the overall inclusivity and flexibility of washroom spaces, offering practical solutions for a wide range of users without compromising on comfort or compliance.



Multiple toilet facilities

Changing Places toilets

In large building developments such as transport hubs, public venues, shopping centres and healthcare settings, Changing Places facilities are increasingly recommended, and in many cases required. These spaces provide enhanced accessibility for people with complex or multiple impairments who need personal assistance to use the toilet or change continence pads.

Unlike standard accessible toilets, these facilities must be large enough to accommodate the user and up to two assistants, with appropriate equipment to support safe and dignified care.

Key requirements

Sufficient internal space: minimum 12m² (larger if possible).

Adult-sized, height-adjustable changing bench.

Ceiling-mounted hoist system.

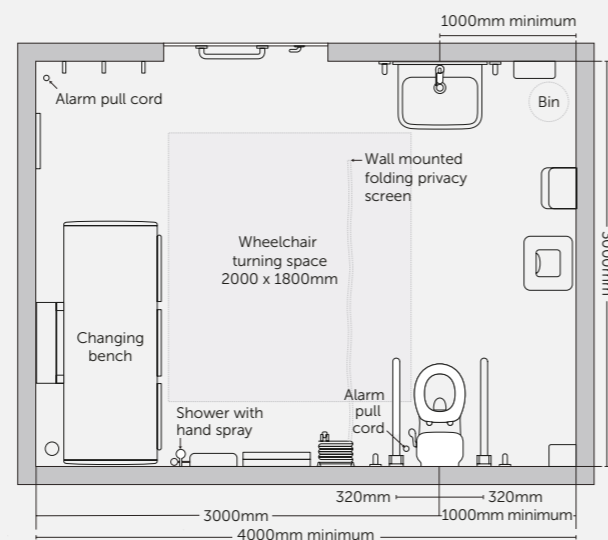
Non-slip flooring and clear transfer space around all fixtures.

- WC** → Raised-height, extended projection WC for comfort and accessibility
- Colostomy shelf for hygiene needs
- Back rest (required if WC is not close coupled)
- 2 x hinged support arms, one incorporating a toilet roll holder
- 2 x 600mm vertical grab rails positioned for lateral support

- Grab rails** → Drop-down grab rails on both sides of the WC for additional stability during transfers

- Washbasin** → Height-adjustable basin preferred
- Ideally a large, power-assisted basin to accommodate seated or standing use

Changing Places facilities represent best practice in inclusive design, offering dignity, safety and accessibility for some of the most vulnerable users in our built environment.



Hotel facilities*

Product solution: see page 56

Hotel accessible bathroom

In hospitality settings, at least 1 in every 20 bedrooms must be fully accessible and designed to accommodate guests with reduced mobility or disabilities. These bathrooms must enable users to wash or bathe independently, or with assistance if required, and offer a safe, dignified experience.

Key considerations

A variety of layouts, where possible, helps meet a broader range of needs.

In rooms with multiple bathrooms, layouts should allow for left-and right-hand transfer options.

Slip-resistant flooring is essential to reduce fall risk in wet environments.

- WC** → Raised-height WC: 480mm (to seat top), with a 750mm projection
- Positioned for side transfer and access to adjacent fixtures

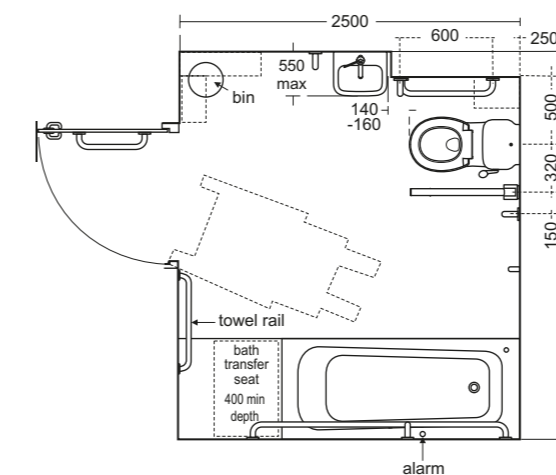
- Washbasin** → Must be reachable from the WC to support hand washing after use
- If a larger basin is required, it must be recessed into the wall to maintain wheelchair clearance

- Bath** → Bath height must be 480mm to facilitate wheelchair transfer
- A 400mm deep transfer seat, as wide as the bath, is required for safe access

- Grab rails** → 2 x 600mm vertical grab rails by the washbasin
- 1 x 600mm horizontal rail alongside the WC
- 1 x hinged support arm on the open side of the WC
- 1 x horizontal rail on the inside face of the door
- Angled grab rail running the full length of the bath

These provisions ensure that hotel bathrooms offer safe, inclusive and user-friendly spaces, without compromising on comfort or guest experience. Accessible bathrooms should blend practicality with thoughtful design, meeting legal requirements whilst reflecting the quality and style of the overall accommodation.

*Also applies to motels, relatives accommodation in hospitals and student accommodation



Hotel facilities*

Product solution: see page 58

Hotel accessible shower room

In wheelchair-accessible hotel bedrooms, at minimum half of all accessible rooms must feature a shower room as an alternative to a bath. This ensures inclusive choice and meets the needs of a broader range of guests as mobility-impaired people may find it easier to use a shower.

Key considerations

At least 50% of wheelchair-accessible bedrooms must provide a shower instead of a bath.

The floor must be slip-resistant to ensure safety in wet conditions.

A shelf for toiletries must be positioned within easy reach of the shower seat or a wheelchair.

- WC** → Raised-height WC: 480mm to seat top
- 750mm projection for ease of access and transfer

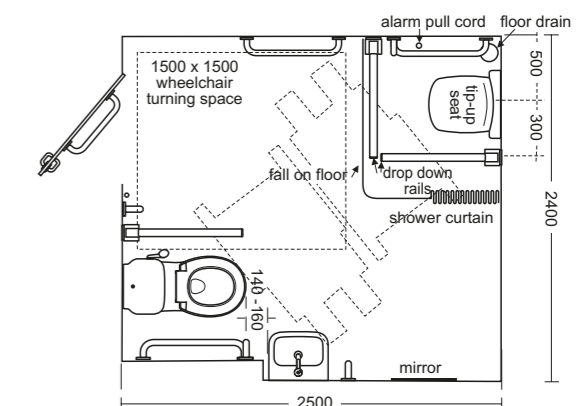
- Washbasin** → Must be reachable from the WC to allow hand washing without repositioning
- Where a larger basin is used, it must be recessed to avoid obstructing wheelchair manoeuvrability

- Shower** → Thermostatic shower with clearly marked, intuitive controls
- Both a fixed overhead head and an adjustable hand-held shower kit are required
- Tip-up shower seat with a minimum projection of 650mm

- Grab rails** → For user safety and transfer assistance:
- 2 x 600mm vertical grab rails by the washbasin
- 1 x 600mm horizontal grab rail alongside the WC
- 1 x hinged support arm on the open side of the WC
- 2 x hinged support arms on either side of the shower seat
- 1 x 600mm horizontal grab rail alongside the shower seat
- 1 x horizontal grab rail on the back of the door
- Retractable privacy curtain to support dignity during assisted use

This specification provides a fully compliant and user-centred shower facility, ensuring that guests with limited mobility have access to comfortable, practical and safe accommodation.

*Also applies to motels, relatives accommodation in hospitals and student accommodation.



Public shower facilities

Recommended product solution: see pages 78-81

Public Shower Facilities

In settings such as sports centres, swimming pools, gyms and leisure facilities, at least one shower must be wheelchair accessible to meet the needs of users with reduced mobility or those who require assisted care.

These facilities must provide appropriate space, privacy, and fittings to support both independent and supported use, in full compliance with Document M and BS 8300-2:2018.

Key design requirements

Sufficient layout to allow for privacy and carer assistance.

Slip-resistant flooring throughout the shower area.

Controls positioned between 750-1000mm from floor level.

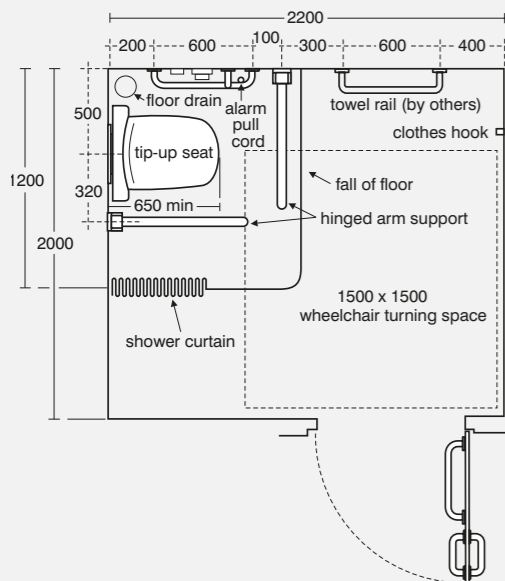
Thermostatic shower with clear and logical control markings.

Both a fixed overhead shower and adjustable handheld shower kit are required.

Tip-up shower seat with a minimum projection of 650mm.

- Grab rails** To ensure safety and facilitate transfers, the following grab rails must be installed:
- 600mm vertical grab rail positioned by the shower controls
 - 450mm vertical rail with sliding handheld shower unit
 - 2 x hinged support arms beside the tip-up shower seat
 - 1 x 600mm horizontal grab rail alongside the shower seat
 - 1 x 600mm horizontal grab rail just outside the shower area
 - 1 x horizontal grab rail on the back of the door
 - Shower curtain and rail to provide privacy and splash protection

This setup ensures a practical, dignified and inclusive showering experience in public and commercial leisure environments, where accessibility is a key component of modern, user-centred design.



Residential WC facilities

Volume 1 Dwellings

M4 category 1 visitable dwellings

To meet Building Regulations Document M – Category 1, all newly built dwellings must include a WC facility on the entrance level that enables easy access for users. This ensures that homes are visitable and inclusive from the outset.

Key requirements

A wheelchair-accessible WC must be provided on the entry level of all new dwellings.

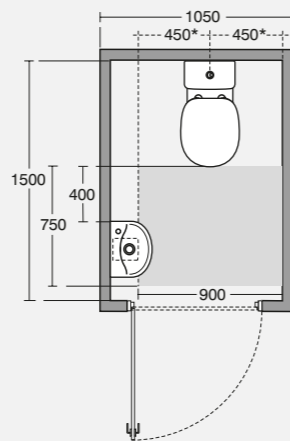
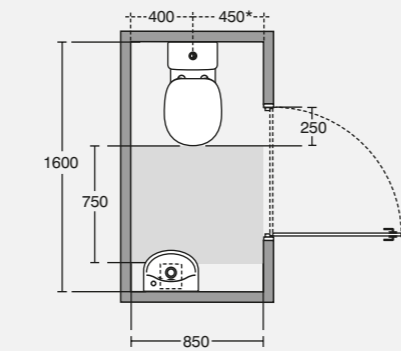
Doors must open outwards to prevent obstruction and allow assisted access if needed.

The approach to the WC from the entrance must be free from steps or barriers.

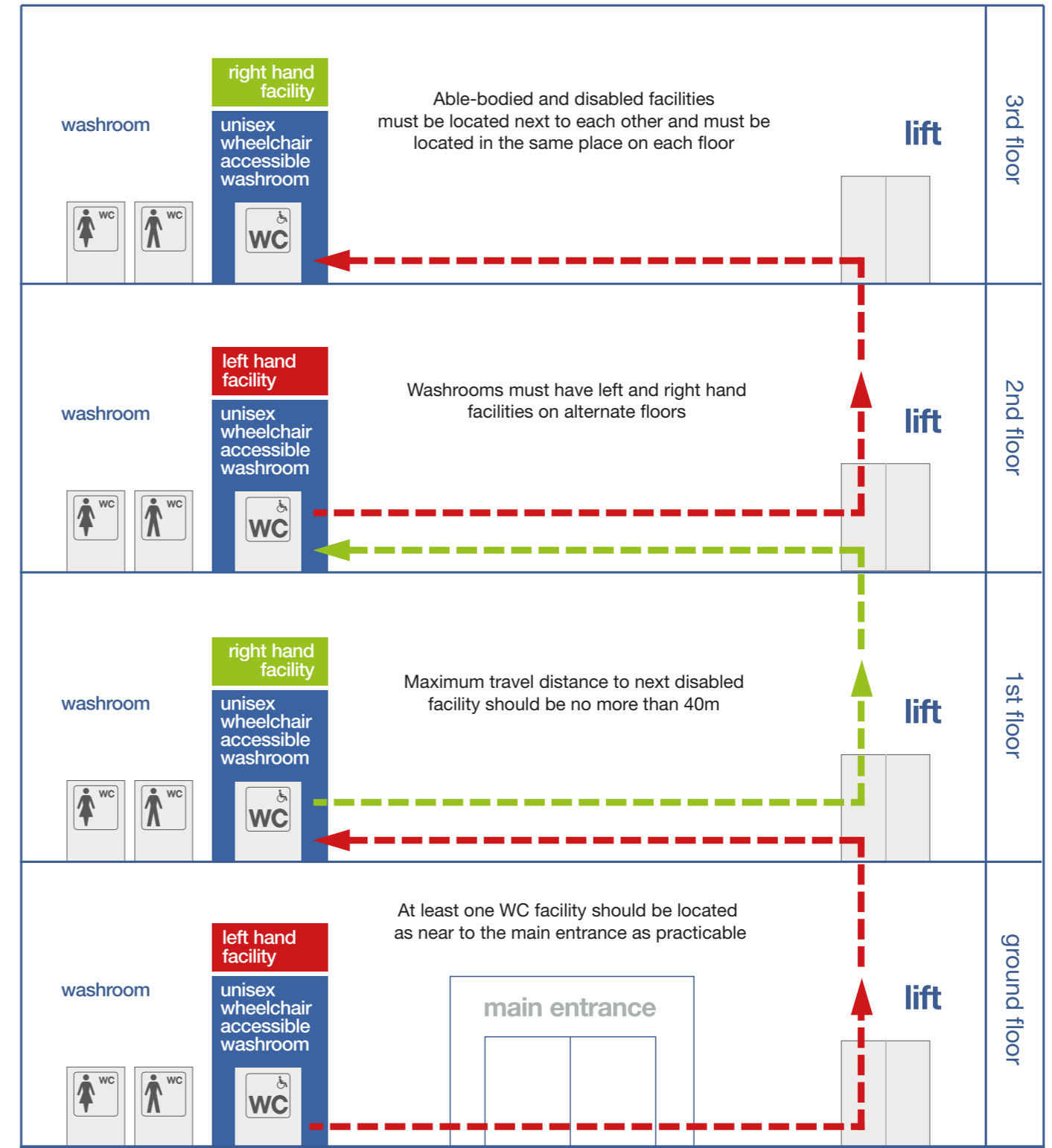
Clear access to the WC must be maintained at all times.

The washbasin must not impede wheelchair movement or access to the WC.

Requirements for category 2 - Accessible and adaptable & 3 - Wheelchair user, are 'optional', but can be imposed as part of the planning permission requirements.



WC location requirements for non-residential buildings of two storeys or more



TAKING INTO ACCOUNT PART T OF THE BUILDING REGULATIONS

The 2024 update to Approved Document M includes important cross-references to the newly introduced Approved Document T: Toilet accommodation, which relates to Part T of the UK Building Regulations for non-residential buildings in England.

Although the instructions laid out in Document T lie largely outside the scope of Document M, it introduces new legal requirements for the provision of toilet facilities that significantly affect how ambulant disabled WC facilities are designed.

The key objective of Part T

To ensure that toilet accommodation in public and commercial buildings is inclusive, dignified and suitable for all users, regardless of age, sex or ability.

Why is Part T important?

The introduction of Part T reinforces the importance of balancing privacy, dignity and accessibility in toilet design. Whilst separate male and female provision is now mandated, it remains essential to accommodate the needs of ambulant disabled users, either within single-sex layouts or, where space allows, via fully enclosed universal toilet rooms.

Key requirements of Part T

- The mandatory provision of separate single-sex toilets (male and female), each with their own washbasins and hand-drying facilities.
- Any designs must accommodate ambulant disabled users within the framework of single-sex toilet layouts.
- Designers must prioritise separate male and female toilet areas whilst still delivering accessibility in line with the guidance laid down in Document M.

Impact on ambulant WC provision

Approved Document T provides guidance on the size, layout, fittings and equipment of universal toilets and single sex toilets and two ambulant options for single-sex, along with universal toilets.

The document identifies four types of toilet accommodation that are suitable for meeting requirements in the guidance.

Type A

Fully enclosed self-contained ambulant universal toilet.

Type B

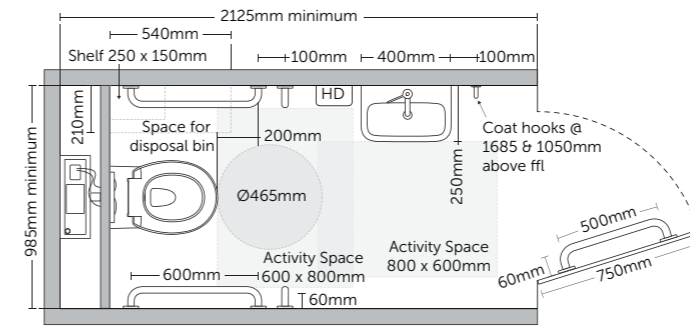
Fully enclosed self-contained universal toilet.

Type C

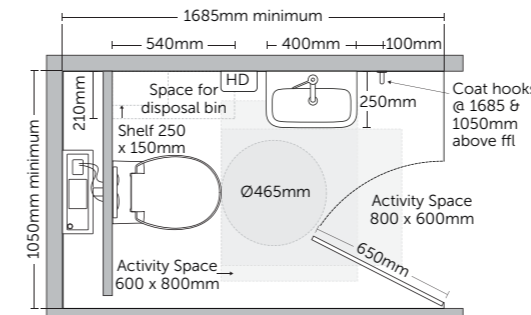
Ambulant single-sex toilet cubicle (not self-contained).

Type D

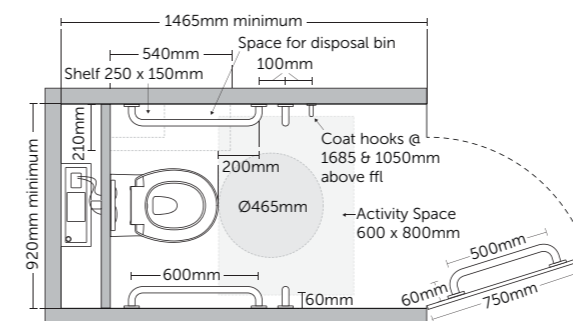
Single-sex toilet cubicle (not self-contained).



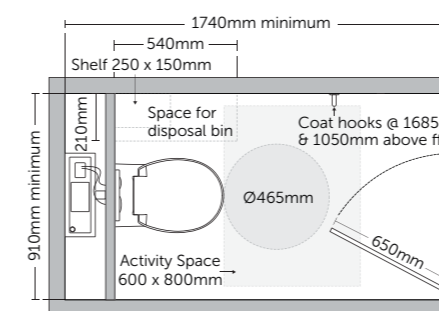
Type A



Type B



Type C



Type D

Where Document M recommends an ambulant disabled person's toilet, Document T correspondingly requires that this is delivered in one of two ways:

Type A – Fully enclosed self-contained ambulant universal toilet

- Includes a WC, washbasin and hand-drying facilities
- Designed for private, unisex use with full accessibility features
- Appropriate grab rails and sufficient manoeuvring space included

Type C – Ambulant single-sex toilet cubicle

- Located within male or female toilet areas
- Includes a WC pan and grab rails, with access to shared washbasin and drying facilities within the communal space
- Not self-contained

Where compliance with Document M does not impose a requirement, toilet provision can be provided by either Type B universal toilets or Type D single-sex toilet cubicles.

Type B is a universal toilet which is available for everyone to use and is not considered a single-sex toilet as such. A universal toilet is not designed to be wheelchair-accessible; it is a toilet for 'universal' use for all who choose to use it.

A Type D facility can be either a male single-sex toilet or a female single-sex toilet.

Practical design considerations

- Toilet seats should contrast visually against the WC bowls on which they sit.
- Manoeuvring space and grab rail placement must be carefully planned to support ambulant users.
- Designers must cross-reference Part M and Part T to ensure layouts meet both accessibility and single-sex provision standards.
- Unisex toilet rooms may still be provided where space permits, and remain a valid way to serve ambulant disabled individuals in addition to the required single-sex facilities

PRODUCT INTRODUCTION

To support straightforward compliance with Approved Document M and the Equality Act 2010, we've developed a comprehensive range of ready-made Doc M packs.

These solutions are carefully designed to meet the most common regulatory requirements for accessible washrooms and bathrooms, all while delivering the performance, safety and durability expected from Armitage Shanks.

Each pack provides the essential components needed to create a fully compliant space, offering peace of mind for specifiers and comfort for users. Over the following pages, you'll find detailed product information that explains how every element aligns with the relevant standards.

WC

Our WCs are available in close coupled, back to wall and wall-hung configurations. Close coupled models feature a cistern securing bolt, enhancing stability for users who may rely on the WC for support during transfers, an important consideration as outlined in BS 8300, which references "oblique transfer" involving grasping the WC or grab rails.

Grab Rails

Secure, reliable support is essential in any accessible washroom. That's why all our grab rails are tested to withstand up to 200kg, exceeding the minimum weight requirement. Manufactured from durable aluminium, they're built to resist corrosion in humid environments and offer long-lasting reassurance for users during movement or transfer.

Basins

All Armitage Shanks Doc M packs are available in left- or right-hand configurations, rather than with central tap holes. This layout ensures that users can wash their hands whilst seated on the WC, in accordance with BS 8300 best practice guidance.

Taps

Our taps feature TMV3-approved thermostatic mixing valves to prevent scalding and use sequential operation with lever handles. This makes them exceptionally easy to use, even for individuals with limited dexterity or reduced strength.

WC Seat

To comply with guidance we offer toilet seats that provide visual contrast against the sanitaryware. To improve user confidence and reduce movement, our toilet seats include anti-slip lugs that keep the seat securely in place, offering additional support during use and contributing to a safer overall experience.



- Concealed fixings on grab rails
- Aluminium grab rails with 5 year guarantee. Available in different surface finishes
- Right or left hand position spatula cistern lever for easy flush
- Cistern securing bolt
- TMV3 and Regulation 4 approved thermostatic anti-scald basin mixer with long easy turn handle and built in thermostat
- 4.5 litre flush WC
- Visually contrasting toilet seat
- Seat retainers keep seat secure when transferring to WC
- Hinged support arm tested to 200 kg
- Optional toilet roll holder
- No spacer boxes on WCs, all WCs purpose designed for Part M
- No overflow on basin to avoid haven for bacteria
- Right or left hand tap position to facilitate easier access for hand washing while seated on WC

BASINS & TAPS

Smart design, space saving, and hygienic by nature



Contour 21 Handrinse Washbasin

Compact, compliant and crafted for performance, the Contour 21 handrinse basin is ideal for accessible washrooms where space and hygiene are critical. With a short projection of just 37cm, it maximises usable space whilst offering the perfect proportions for effective handwashing.

To support infection control, this basin features no overflow or chain hole, reducing potential bacteria traps and helping to maintain high hygiene standards.

In line with BS 8300 guidance, taps should be positioned on the side of the basin closest to the WC, allowing users to wash their hands from a seated position. To meet this requirement, Contour 21 basins are available with left- or right-hand tap holes, offering flexibility across different layout needs.



Edit S Handrinse basin

The ideal solution for design led installations, this 45cm wide basin has a projection of only 27cm (new versions), suiting it perfectly for use in Doc M facilities. The Edit S handrinse basin is available with left- or right-hand tap holes and overflow.

Total control, exceptionally easy to use



Contour 21+ Thermostatic Basin Mixers

The Contour 21+ TMV3 and Regulation 4 approved thermostatic mixer taps, combine safety and user control in one compact unit. Key features include:

- Integrated thermostat eliminates the need for a remote valve, preventing 'dead legs' and improving water hygiene
- Precise temperature regulation for safe, anti-scald performance
- Easy-turn single levers, ideal for users with limited dexterity
- Available in Chrome and Silk Black finishes



Sensorflow 21 Compact Mixer

The Sensorflow 21 allows for hygienic hands-free operation, making it even easier to wash hands.

It comes equipped as standard, with a water-saving 3.7 litres per minute aerated spray outlet.



SHOWERING

Shower fittings are a key element of inclusive washroom design, providing users with a safe and comfortable experience. Our accessible use shower packs, include Regulation 4 approved thermostatic valves and along with our shower kits, are designed to meet Document M requirements.



Contour 21 Built-in Sequential Shower Mixer, Extended Lever

A sequential thermostatic lever operated, built-in shower valve incorporating an adjustable maximum blend temperature feature. TMV3 scheme approved.

- Suitable for high pressure systems
- Supplied with 5 litre per minute inlet flow regulators which limits mixed flow to a maximum of 7.5 litres per minute



Ceratherm 100 Exposed Thermostatic Shower System

Shower mixer with 2 outlets, Idealrain M1 rainshower with fixed riser and M3 handspray.

- Metal pin handles on the mixer and handspray holder
- The outlet is selected using the diverter which is integral with the flow control



Ceraflow T25+ Shower Diverter System

The T25+ further extends the T25 range, with a 2 spray function shower head offering superb performance.

- Perfectly complements the Contour 21+ exposed thermostatic mixer
- Available in Chrome and Silk Black finishes



Category 5 Hose Retainer

Category 5 hose retainer for wall fixing which screws to the wall to limit handspray movement, to prevent back siphonage in category 5 class installations.

- Prevents back siphonage
- Suitable for all fluids inc category 5
- Maintains an air gap
- Ensures compliance with water regulations
- Requires destruction to remove once fitted
- Wall bracket and slide rail versions
- Available in Chrome and Silk Black finishes



Contour 21+ Exposed Thermostatic Shower Valve

Specifically designed for applications where regular thermal cleanse to prevent bacterial growth, is a product requirement. This valve features Doc M compliant, easy to operate paddle handles. TMV3 scheme approved.

- Cool touch body
- Fast-Fix wall fixings
- Available in Chrome and Silk Black finishes

WC OPTIONS

Optimal wheelchair transfer

The Concept Freedom and Contour 21+ WC ranges are designed to make wheelchair transfer as smooth and secure as possible. Their extended projection and raised height offer improved access and user comfort, meeting the needs of a wide range of users.

All models whether close coupled, wall hung or back to wall formats, offer water efficient flush options - down to as low as 4/2.6 litres, depending on model.



Concept Freedom Wall Hung 75cm projection toilet

A fully Document M compliant rimless WC, providing easy access to those with additional needs, whilst delivering leading edge aesthetic design.

- Raised height for universal access
- Compatible with dual flush cistern options
- Slow close seat option



Contour 21+ Wall Hung 75cm Projection Toilet

Contour 21+ 75cm projection accessible pattern wall hung rimless toilet bowl.

- Commercial use
- Raised height for universal access
- Dual flush & no touch sensor options
- Anti-microbial glaze with hydrophilic properties



Contour 21+ Back to Wall 75cm Projection Rimless Toilet

Contour 21+ 75cm projection back to wall rimless toilet bowl.

- Commercial use
- Raised height for universal access
- Dual flush & no touch sensor options
- Anti-microbial glaze with hydrophilic properties



Contour 21 Raised Height Close Coupled Toilet

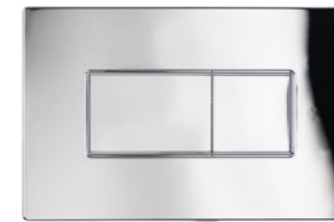
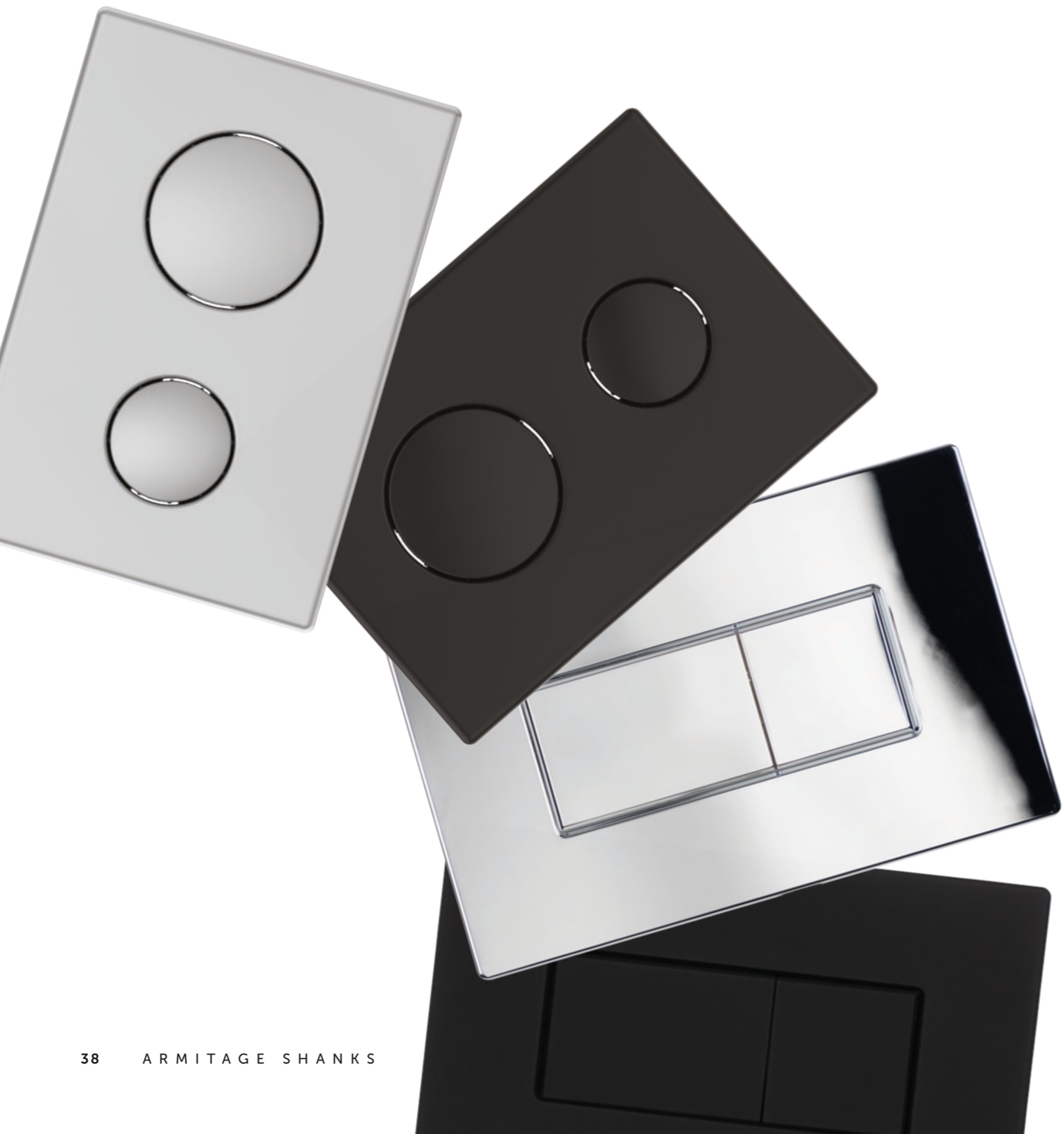
Close coupled raised height toilet bowl. Box rim, horizontal outlet, 75cm projection with floor fixing kit.

- Domestic and commercial use
- Raised height WC
- Secure top fix seats
- Reversible lever position
- Water efficient

FLUSH PLATES AND ACTUATORS

Reliable, intuitive flush controls are essential to the overall usability and accessibility of any Document M compliant washroom.

Our range of flush plates and actuators has been developed to support ease of use for all individuals, including those with limited strength or dexterity, whilst perfectly complementing our Doc M packs.



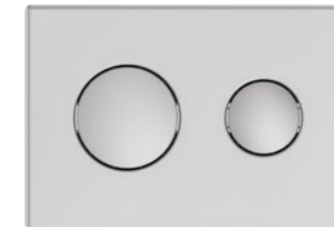
Karisma flush plate

- Pneumatic operation
- Dual flush
- Chrome finish



Solea P2 flush plate

- Pneumatic operation
- Dual flush
- Available in Chrome and Silk Black finishes



Conceala 3 flush plates

- Pneumatic operation
- Dual flush
- Available in Chrome and Silk Black finishes



Sensorflow 21 Sensor

Sensor activated WC for touch free operation. In Chrome finish.



Spatula Lever

For easy flushing with hand or elbow.

- Available in Chrome and Silk Black finishes

GET TO GRIPS WITH DOCUMENT M

Grab rails and support arms are essential components of accessible washroom design, providing users with the stability and confidence they need to move independently and safely. Our fixed and hinged options are engineered for strength, hygiene and user comfort, all while offering a choice of finishes to suit any environment.

Fixed grab rails

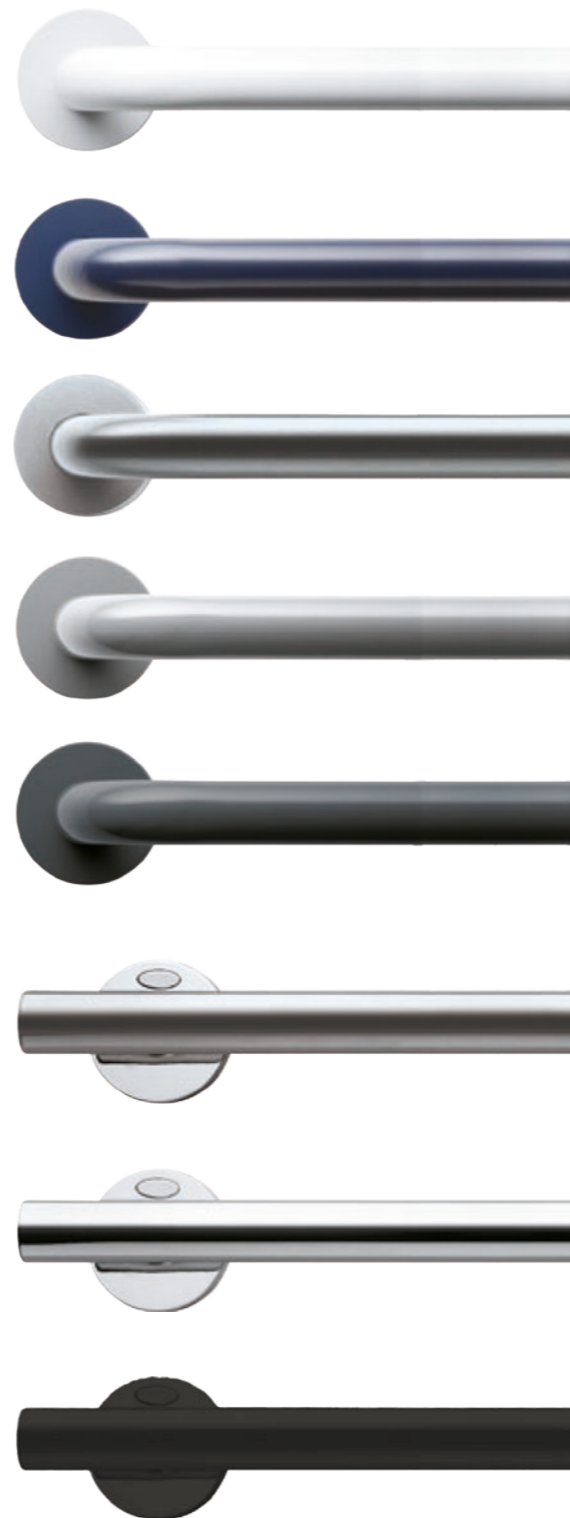
Available in a wide range of finishes (including white, grey, blue, charcoal, stainless steel, chrome and now Silk Black, our fixed grab rails are manufactured from 35mm diameter polyester-coated aluminium (except stainless steel, chrome and Silk Black variants).

Concealed fixings enhance both hygiene and security, and every rail is tested to support up to 200kg for maximum reassurance.

Hinged support arm

This robust folding support provides stability during wheelchair transfers and can be lifted out of the way when not in use. Textured, slip-resistant contact surfaces improve grip and help users feel secure.

When installed to best practice standards, the arm supports up to 200kg. An optional toilet roll holder can be added, featuring a ratcheted mechanism that allows single-handed use.



SURFACE FINISH REQUIREMENTS

To support safe navigation for visually impaired users, Document M sets out clear guidance on the use of contrasting surface finishes within accessible washrooms. A key requirement is the difference in Light Reflectance Value (LRV) between adjacent surfaces. Where the room's illuminance exceeds 200 lux, a minimum 20-point LRV difference is required. If the illuminance is below 200 lux, the minimum difference increases to 30 points.

All sanitary fittings, including WCs, basins and grab rails, must contrast visually with surrounding wall and floor finishes. In addition, WC seats should also contrast against the bowls on which they sit. Wall and floor surfaces must also differ in both colour and texture to provide clear orientation cues. All flooring must be non-slip to reduce the risk of slips and falls.

COLOUR /FINISH	RAL	LRV
White	9016	87
Blue	5011	6
Grey	7005	19
Charcoal	7016	8
Silk Black	9005	0

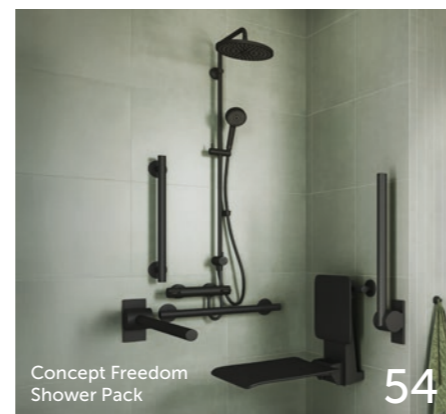
Colour contrast is required between...



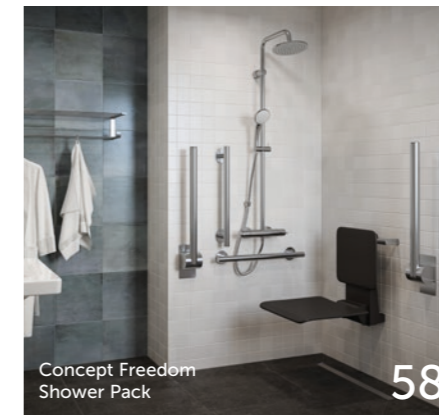
DOC M PACK OVERVIEW

Our Doc M packs are available in both left-and right-hand corner arrangements to suit a variety of room layouts. Each pack is supplied with detailed layout drawings, clearly illustrating the required fixing positions to ensure full compliance with Document M regulations. This makes specification and installation straightforward, helping you to create accessible spaces with confidence.

SILK BLACK DOC M PACKS



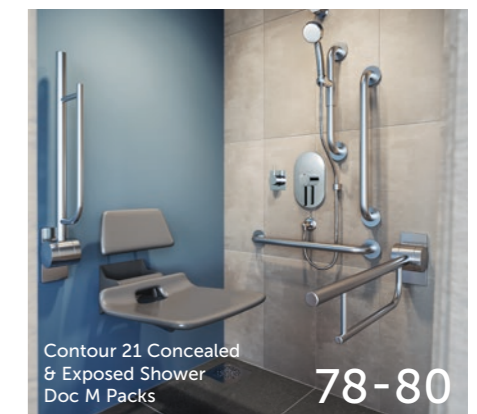
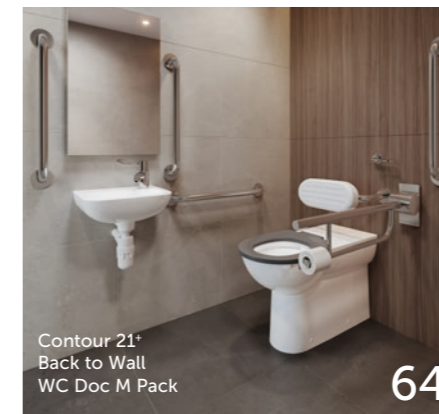
CONCEPT FREEDOM PACKS



EDIT DOC M PACK



SPECIALIST DOC M PACKS



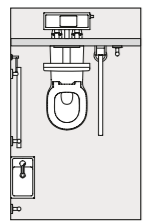
SILK BLACK CONCEPT FREEDOM WALL HUNG DOC M PACK WITH CONTEMPORARY GRAB RAILS

Pack includes:

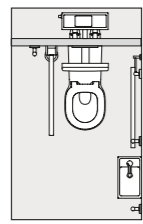
- Concept Freedom raised height 75cm extended projection wall hung WC bowl
- WC bowl hanging kit
- Concept Freedom Silk Black WC seat
- Conceala 3 pneumatic operation dual flush concealed cistern (6/4 litre adjustable down to 4.5/3 litre)
- Solea P2 dual function flush plate in Silk Black
- Contour 21 back rest frame in Silk Black with white cushion
- Contour 21* Silk Black thermostatic TMV3 class basin mixer
- iLife S 37cm handrinse basin with solid wall fixings (left-handed model in right hand pack and right-handed model in left hand pack)
- 1 1/4" clicker waste in Silk Black finish
- Silk Black contemporary bottle trap
- Contemporary 21 drop down rail in Silk Black x1
- Contemporary 21 60cm grab rail in Silk Black x4
- Contemporary 21 45cm grab rail in Silk Black x1
- IOM toilet roll holder in Silk Black
- IOM robe hook in Silk Black x2
- IOM wall mounted toilet brush and holder in Silk Black

Left Handed (shown)	E3367XG	
Right Handed	E3366XG	

Selecting your Doc M Pack



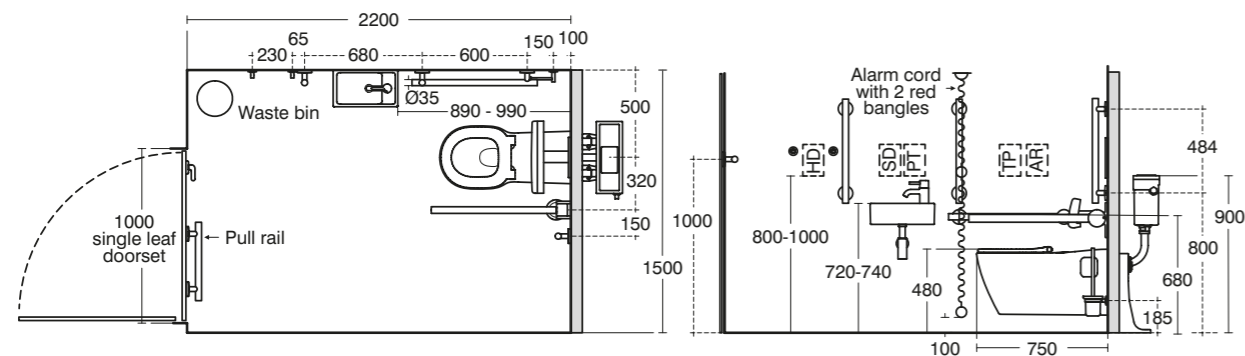
Left Hand Pack




Right Hand Pack



[Learn more](#)



 Unisex
wheelchair accessible
washroom solution




SILK BLACK CONTOUR 21+ WALL HUNG DOC M PACK WITH CONTEMPORARY GRAB RAILS

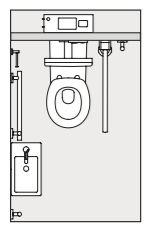
Unisex
wheelchair accessible
washroom solution

Pack includes:

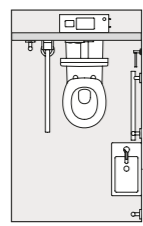
- Contour 21+ raised height 75cm extended projection wall hung WC bowl with SmartGuard+ antibacterial glaze
- WC bowl hanging kit
- Contour 21 Silk Black WC seat with retaining buffers
- Conceala 3 pneumatic operation dual flush concealed cistern (6/4 litre adjustable down to 4.5/3 litre)
- Conceala 3 dual function flush plate in Silk Black
- Contour 21 back rest frame in Silk Black with white cushion
- Contour 21+ Silk Black thermostatic TMV3 class basin mixer
- Edit S 45cm handrinse basin with solid wall fixings (left-handed model in right hand pack and right-handed model in left hand pack)
- 1 1/4" clicker waste in Silk Black finish
- Silk Black contemporary bottle trap
- Contemporary 21 drop down rail in Silk Black x1
- Contemporary 21 60cm grab rail in Silk Black x4
- Contemporary 21 45cm grab rail in Silk Black x1
- IOM toilet roll holder in Silk Black
- IOM robe hook in Silk Black x2
- IOM wall mounted toilet brush and holder in Silk Black

Left Handed	S6972XG	
Right Handed (shown)	S6973XG	

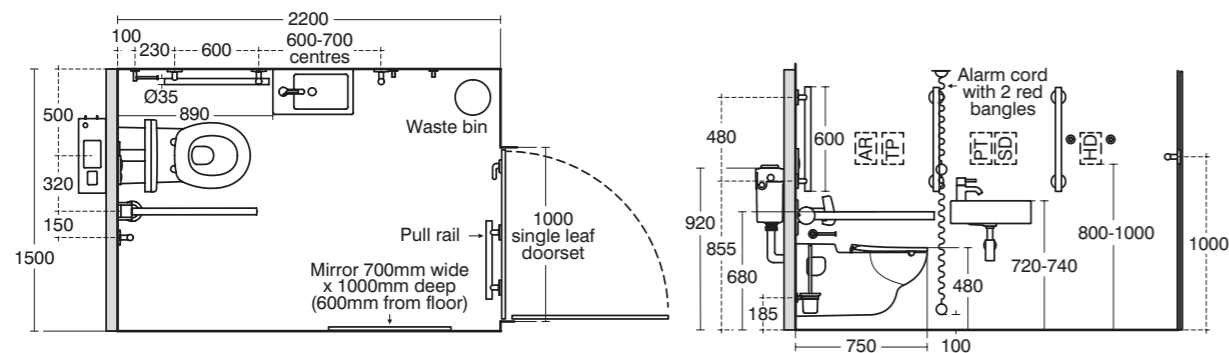
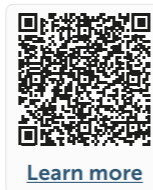
Selecting your Doc M Pack



Left Hand Pack



Right Hand Pack



SILK BLACK CONTOUR 21+ BACK TO WALL DOC M PACK WITH CONTEMPORARY GRAB RAILS

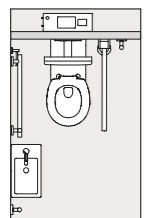
Unisex
wheelchair accessible
washroom solution

Pack includes:

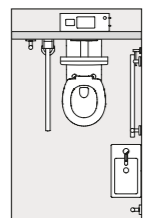
- Contour 21+ raised height 75cm extended projection back to wall WC bowl with SmartGuard+ antibacterial glaze
- Contour 21 Silk Black WC seat with retaining buffers
- Conceala 3 pneumatic operation dual flush concealed cistern (6/4 litre adjustable down to 4.5/3 litre)
- Conceala 3 dual function flush plate in Silk Black
- Contour 21 back rest frame in Silk Black with white cushion
- Contour 21+ Silk Black thermostatic TMV3 class basin mixer
- Edit S 45cm handrinse basin with solid wall fixings (left-handed model in right hand pack and right-handed model in left hand pack)
- 1 1/4" clicker waste in Silk Black finish
- Silk Black contemporary bottle trap
- Contemporary 21 drop down rail in Silk Black x1
- Contemporary 21 60cm grab rail in Silk Black x4
- Contemporary 21 45cm grab rail in Silk Black x1
- IOM toilet roll holder in Silk Black
- IOM robe hook in Silk Black x2
- IOM wall mounted toilet brush and holder in Silk Black

Left Handed (shown)	S1245XG	
Right Handed	S1246XG	

Selecting your Doc M Pack



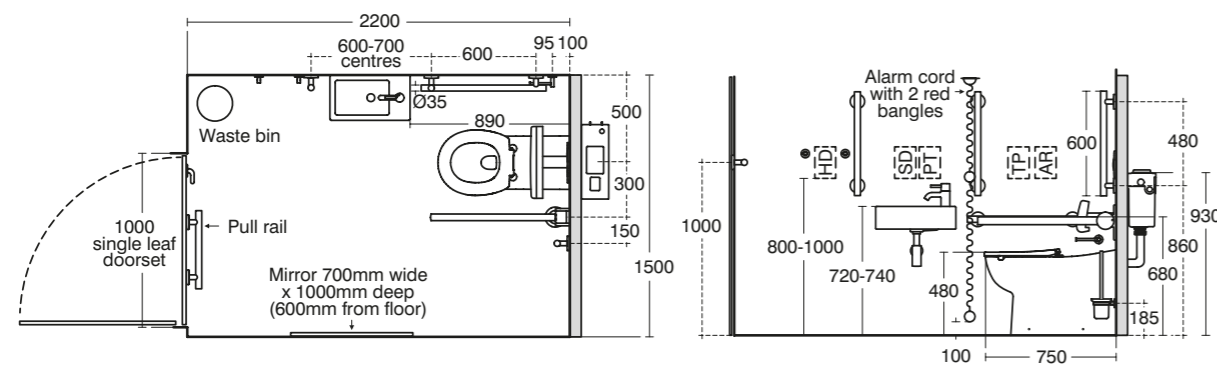
Left Hand Pack



Right Hand Pack



[Learn more](#)



SILK BLACK CONTOUR 21 CLOSE COUPLED DOC M PACK WITH CONTEMPORARY GRAB RAILS

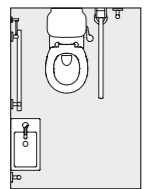
Unisex
wheelchair accessible
washroom solution

Pack includes:

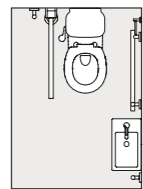
- Contour 21 raised height 75cm extended projection close coupled WC bowl
- Contour 21 close coupled dual flush cistern (6/4 litre adjustable down to 4.5/3 litre) with spatula lever in Silk Black
- Contour 21 Silk Black WC seat with retaining buffers
- Contour 21* Silk Black thermostatic TMV3 class basin mixer
- Edit S 45cm handrinse basin with solid wall fixings (left-handed model in right hand pack and right-handed model in left hand pack)
- 1 1/4" slotted strainer waste pack in Silk Black finish
- Silk Black contemporary bottle trap
- Contemporary 21 drop down rail in Silk Black x1
- Contemporary 21 60cm grab rail in Silk Black x4
- Contemporary 21 45cm grab rail in Silk Black x1
- IOM toilet roll holder in Silk Black
- IOM robe hook in Silk Black x2
- IOM wall mounted toilet brush and holder in Silk Black

Left Handed (shown)	S1248XG	
Right Handed	S1249XG	

Selecting your Doc M Pack



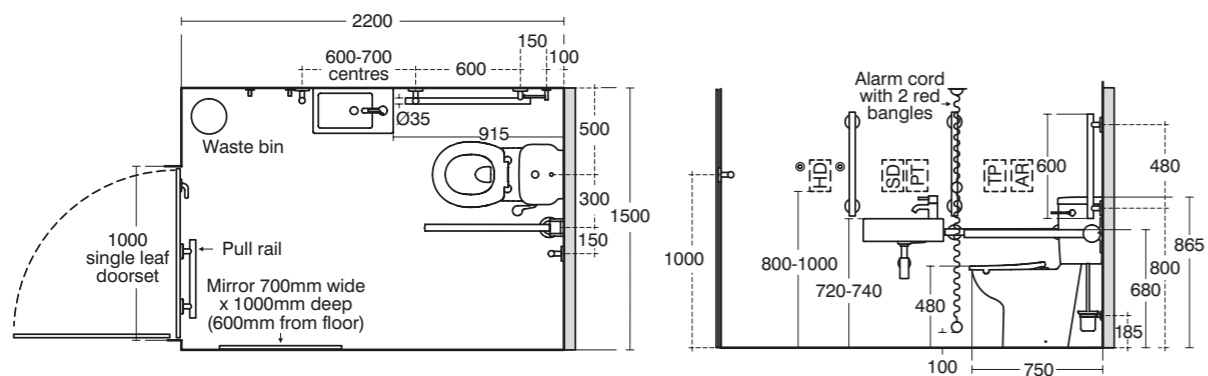
Left Hand Pack



Right Hand Pack



[Learn more](#)



SILK BLACK CONCEPT FREEDOM AMBULANT WC PACK WITH CONTEMPORARY GRAB RAILS

✓ Ambulant
disabled cubicle
solution

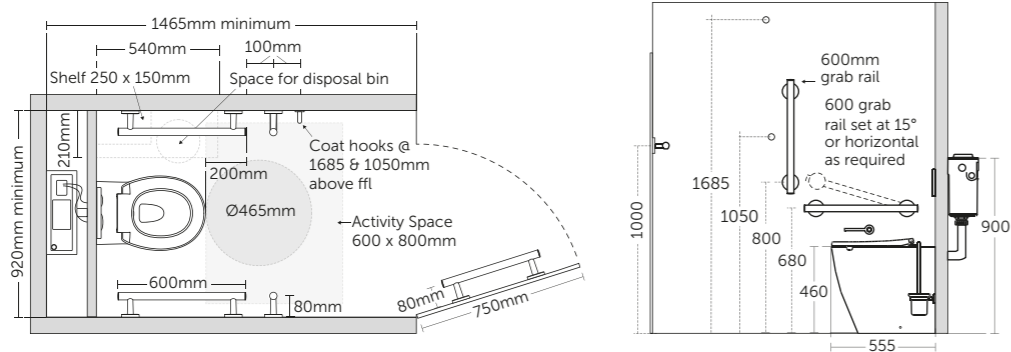
Pack includes:

- Raised height Concept Freedom back to wall WC bowl
- Contour 21 Silk Black WC seat with retaining buffers
- Conceala 3 pneumatic operation dual flush concealed cistern (6/4 litre adjustable down to 4.5/3 litre)
- Solea P2 dual function flush plate in Silk Black
- Contemporary 21 60cm grab rail in Silk Black x4
- Contemporary 21 45cm grab rail in Silk Black x1
- IOM toilet roll holder in Silk Black
- IOM robe hook in Silk Black x2
- IOM wall mounted toilet brush and holder in Silk Black

Back to wall ambulant pack **S1247XG**



[Learn more](#)



SILK BLACK CONCEPT FREEDOM SHOWER PACK WITH CONTEMPORARY GRAB RAILS

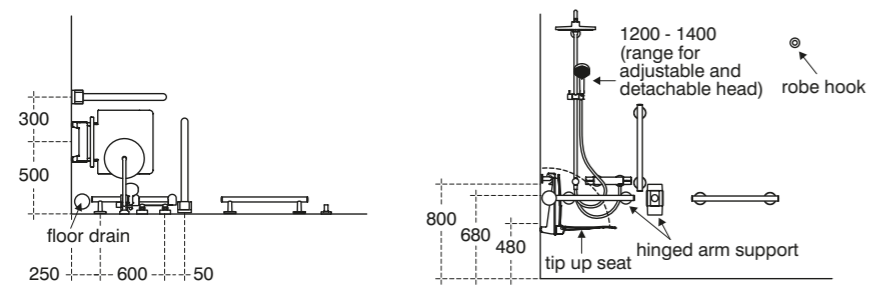
Pack includes:

- Contour 21+ TMV3 class thermostatic shower valve with easy to use paddle handles in Silk Black
- Ceraflow 25+ shower system with 2 function 260mm showerhead and 2 function 100mm handspray
- Contemporary 21 drop down rail in Silk Black x2
- Contemporary 21 60cm grab rail in Silk Black x2
- Concept Freedom folding seat in black
- Concept Freedom seat support rail in Silk Black
- Cat 5 hose ring for wall fixation in Silk Black

Shower pack **S6407XG** 



[Learn more](#)



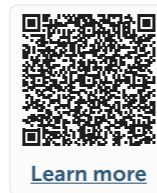
CONCEPT FREEDOM HOTEL ENSUITE BATHROOM

Luxury wheelchair accessible ensuite bathroom that meets the requirements for Document M. Concept Freedom is part of the Concept range and brings sophistication into this often design neglected area. Ideal for hotels and care homes.

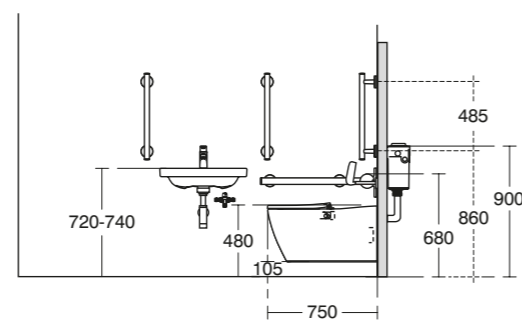
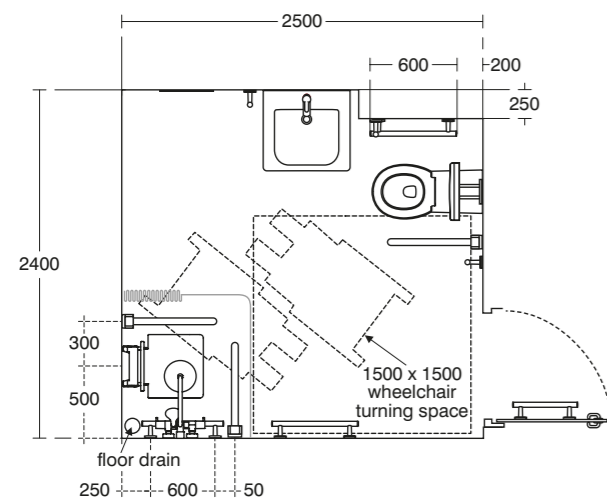
Pack includes:

- Raised height wall hung WC pan, 75cm projection
- Seat, no cover
- Conceala 3 pneumatic operation concealed cistern dual flush concealed cistern (6/4 litre adjustable down to 4.5/3 litre)
- Solea P2 pneumatic dual flush plate
- Elongated accessible washbasin, 60cm
- Contemporary bottle trap
- Ceraline single lever basin mixer tap including clicker waste
- TMV3 thermostatic mixing valve
- Contemporary 21 grab rail straight , 60cm long x4
- Contemporary 21 grab rail straight, 45cm long
- Contemporary 21 hinged support rail, 80cm long
- Contemporary multi system back support

Concept Freedom ensuite bathroom pack - chromium rails and white seat **S6402AA**



[Learn more](#)



NB : shower pack S6407AA, available separately



CONCEPT FREEDOM SHOWER PACK

Luxury wheelchair accessible shower room that meets the requirements of Document M. Pack includes everything required to specify a shower room including luxury shower seat, chrome grab rails and thermostatic shower valve and shower kit with easy operation handles.

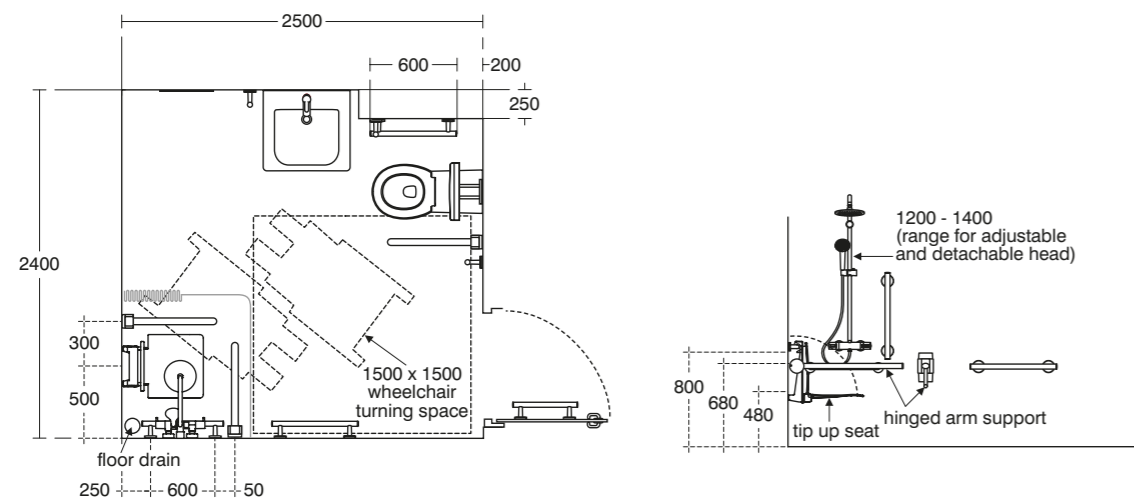
Pack includes:

- Detachable shower seat and rail
- Freedom dual thermostatic shower with easy operation pin handles, fixed showerhead and adjustable handspray
- Contemporary 21 hinged support rail, 80cm long
- Contemporary 21 grab rail straight, 60cm long x2

Concept Freedom shower pack **S6407AA**



[Learn more](#)



EDIT ASSIST WALL HUNG WC DOC M PACK

Pack includes:

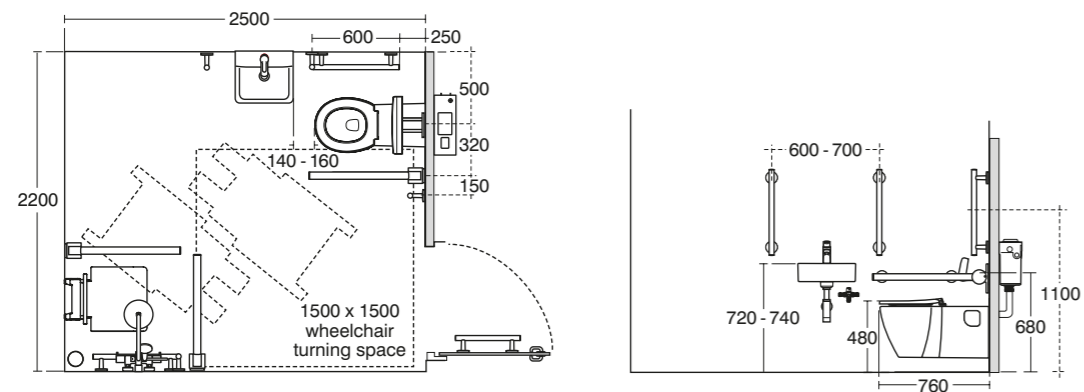
- Concept Freedom raised height 75cm extended projection wall hung WC bowl
- WC bowl hanging kit
- Concept Freedom WC seat in Silk Black
- Conceala 3 pneumatic operation dual flush concealed cistern (6/4 litre adjustable down to 4.5/3 litre)
- Karisma dual function flush plate
- Contemporary multi system back support
- Contour 21+ thermostatic TMV3 class basin mixer
- iLife S 37cm handrinse basin with solid wall fixings (left-handed model in right hand pack and right-handed model in left hand pack)
- 1 1/4" clicker waste
- Contemporary bottle trap
- Contemporary 21 drop down rail x1
- Contemporary 21 60cm grab rail x4
- Contemporary 21 45cm grab rail x1

With chrome rails

Left Handed (shown)	S0832AA
Right Handed	S0827AA



[Learn more](#)



NB : shower pack S6407AA, available separately



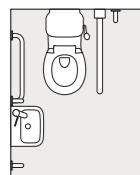
CONTOUR 21+ CLOSE COUPLED WC DOC M PACK

Pack includes:

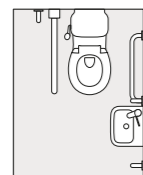
- Raised height WC pan, 75cm projection
- Seat, no cover, top fixing hinges and retaining buffers
- Water saving cistern with spatula lever
- Handrinse washbasin, 37cm
- Contour 21+ TMV3 approved thermostatic mixer tap with copper tails
- Grab rail straight, 60cm long x4
- Grab rail straight, 45cm long
- Hinged support rail, 80cm long with toilet roll holder

Contour 21+ Close Coupled WC Doc M Pack	Left Hand	Right Hand
○ With white rails	S0683AC	S0684AC
● With blue rails	S0683LI	S0684LI
● With grey rails	S0683LJ	S0684LJ
● With charcoal rails	S0683RN	S0684RN
● With stainless steel rails	S0683MY (shown)	S0684MY

Selecting your Doc M Pack



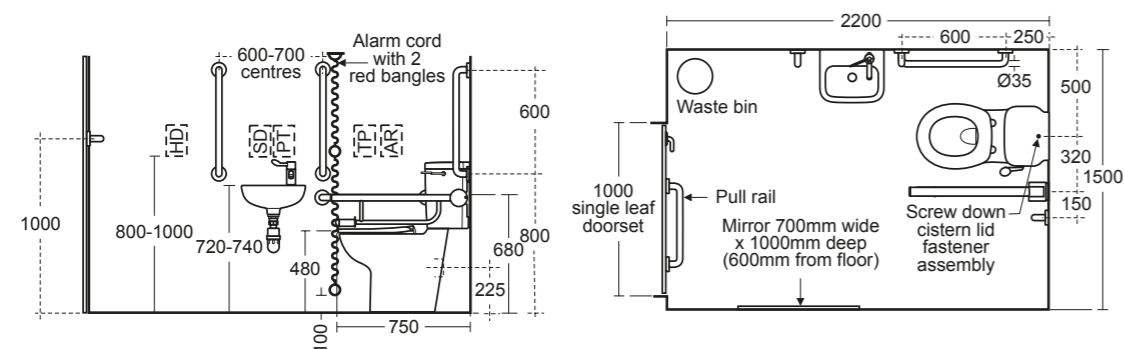
Left Hand Pack



Right Hand Pack



Learn more



Unisex wheelchair accessible washroom solution



CONTOUR 21+ BACK TO WALL WC DOC M PACK

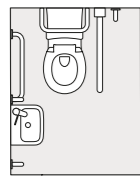
Unisex wheelchair accessible washroom solution

Pack includes:

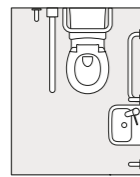
- Back to wall rimless raised height WC pan, 75cm projection
- Seat, no cover, top fixing hinges and retaining buffers
- Conceala 3 cistern 4.5 or 6 litre single flush with spatula lever
- Handrinse washbasin, 37cm
- Contour 21+ TMV3 approved thermostatic mixer tap with copper tails
- Grab rail straight, 60cm long x4
- Grab rail straight, 45cm long
- Hinged support rail, 80cm long with toilet roll holder
- Back support rail
- Cushion for back support

Contour 21+ back to wall WC Doc M Pack	Left Hand	Right Hand
○ With white rails	S0685AC	S0686AC
● With blue rails	S0685LI	S0686LI
● With grey rails	S0685LJ	S0686LJ
● With charcoal rails	S0685RN	S0686RN
● With stainless steel rails	S0685MY (shown)	S0686MY

Selecting your Doc M Pack



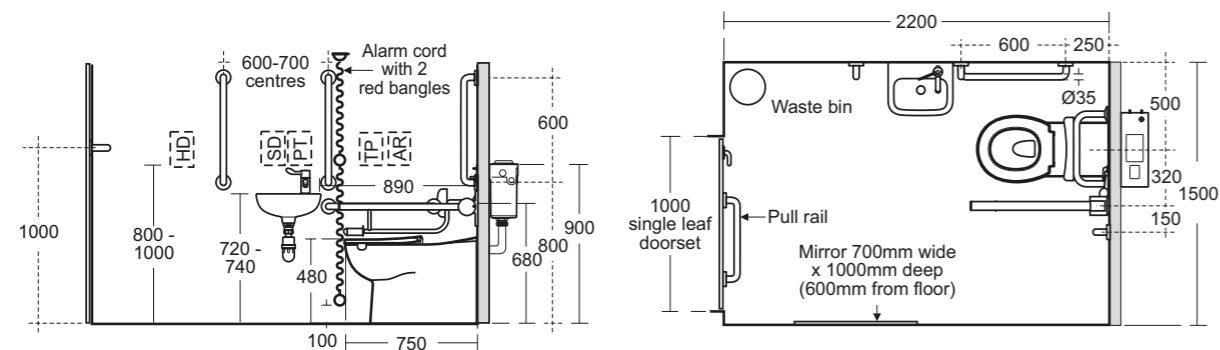
Left Hand Pack



Right Hand Pack



[Learn more](#)



CONTOUR 21+ SENSORFLOW WALL HUNG WC DOC M PACK

Featuring hygienic touch free sensor tap and flush technology.

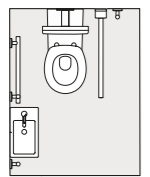
Pack includes:

- Raised height rimless wall hung WC pan, 75cm projection, with SmartGuard+ antibacterial glaze
- Seat, no cover, top fixing hinges and retaining buffers
- Conceala 3 Sensorflow 21 single flush 6 litre cistern, easily adjustable to low water volumes (4.5 or 4 litres)
- Panel mounted touch free sensor actuation
- Edit S 45cm handrinse washbasin
- Sensorflow 21 compact mixer tap with flexible tails
- TMV3 thermostatic mixing valve
- 1 1/4" clicker waste in chrome
- Contemporary 1 1/4" metal bottle trap
- Contemporary grab rail straight, 60cm long x4
- Contemporary grab rail straight, 45cm long
- Contemporary hinged support rail, 80cm long
- Multi-system back support

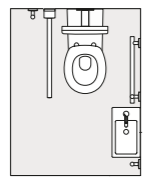
With chrome rails

Left Handed (shown)	S6986AA
Right Handed	S6987AA

Selecting your Doc M Pack



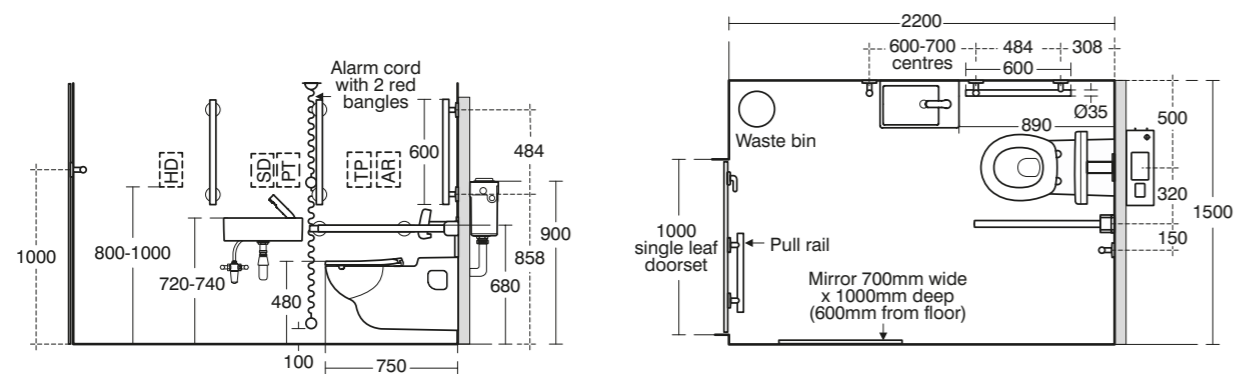
Left Hand Pack



Right Hand Pack



[Learn more](#)



Unisex
wheelchair accessible
washroom solution



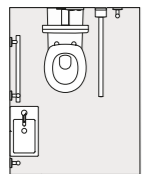
CONTOUR 21+ WALL HUNG WC DOC M PACK

Pack includes:

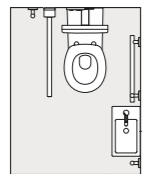
- Raised height rimless wall hung WC pan, 75cm projection, with SmartGuard+ antibacterial glaze
- Seat, no cover, top fixing hinges and retaining buffers
- Conceala 3 dual flush 6/4 litre cistern, pneumatic actuation, easily adjustable to low water volumes (4.5/3 or 4/2.6 litres)
- Conceala 3 dual flushplate
- Edit S 45cm handrinse washbasin
- Contour 21+ TMV3 approved thermostatic mixer tap
- 1 1/4" Contemporary metal bottle
- Contemporary grab rail straight, 60cm long x4
- Contemporary grab rail straight, 45cm long
- Contemporary hinged support rail, 80cm long
- Multi-system back support

Contour 21+ wall Hung WC Doc M Pack	Left Hand	Right Hand
● With chrome rails	S6972AA	S6973AA
● With stainless steel rails	S6972MY (shown)	S6973MY

Selecting your Doc M Pack



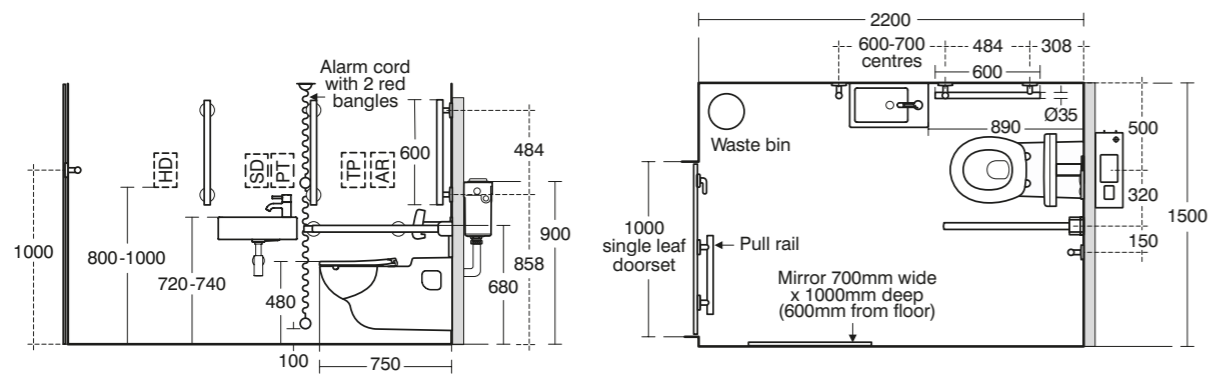
Left Hand Pack



Right Hand Pack



Learn more



Unisex
wheelchair accessible
washroom solution



CONTOUR 21 CLOSE COUPLED WC DOC M PACK WITH STANDING HEIGHT BASIN

✓ Large unisex washroom for single toilet solution

The room set is described in Doc M as 'Doc M close coupled pack and additional washbasin for standing users'. This provides the unisex wheelchair toilet facility suitable for use where only one washroom exists within a building.

Pack includes:

- Contour 21+ raised height WC pan, 75cm projection
- Seat, no cover, top fixing hinges and retaining buffers
- Water saving cistern with spatula lever
- Handrinse washbasin, 37cm
- TMV3 approved thermostatic mixer tap with copper tails
- Grab rail straight, 60cm long x4
- Grab rail straight, 45cm long
- Hinged support rail, 80cm long with toilet roll holder

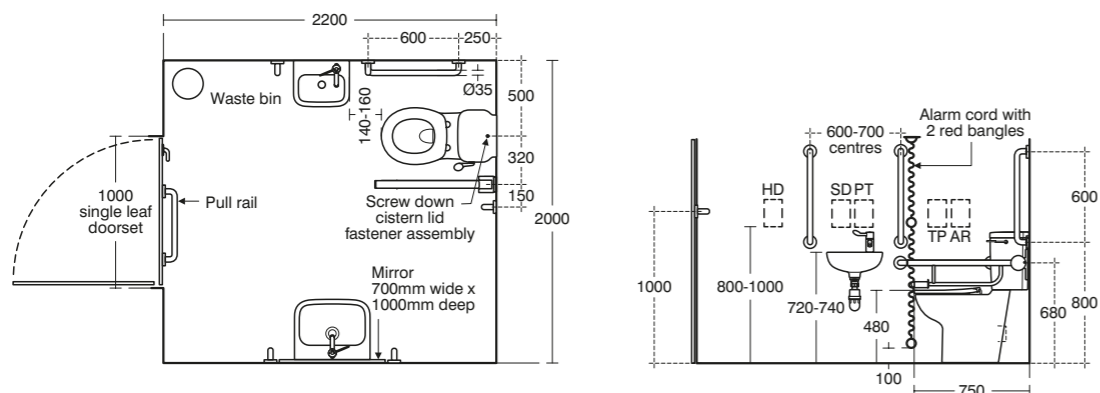
Contour 21 Close Coupled WC Doc M Pack	Left Hand	Right Hand
○ With white rails	S0683AC	S0684AC
● With blue rails	S0683LI	S0684LI
● With grey rails	S0683LJ	S0684LJ
● With charcoal rails	S0683RN	S0684RN
● With stainless steel rails	S0683MY (shown)	S0684MY

Additional Items:

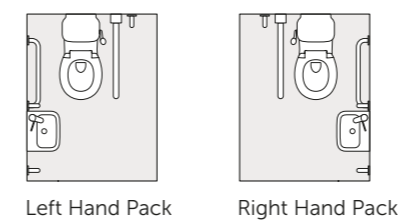
- Portman 21 washbasin, 50cm trap and waste
- Grab rail straight, 60cm long
- TMV3 approved thermostatic mixer tap with copper tails

Additional Product Codes

- Portman 21 washbasin, 50cm, no overflow **S2252(01)**
- Bracket concealed with clamps and centre waste support for Portman 21 washbasins, 60 and 50cm **S9137(67)**
- Contour 21+ TMV3 approved thermostatic mixer tap with copper tails **A6697(AA)**
- Brass swivel plug waste, 80mm unslotted tail **S8734(AA)**
- Plastic bottle trap, 75mm seal **S8910(67)**
- Contour 21 grab rail straight, 60cm long x2 **S6454(MY)**



Selecting your Doc M Pack



CONTOUR 21 PENINSULAR CARE DOC M PACK

Designed especially to provide wheelchair access to the WC from either side.

Pack includes:

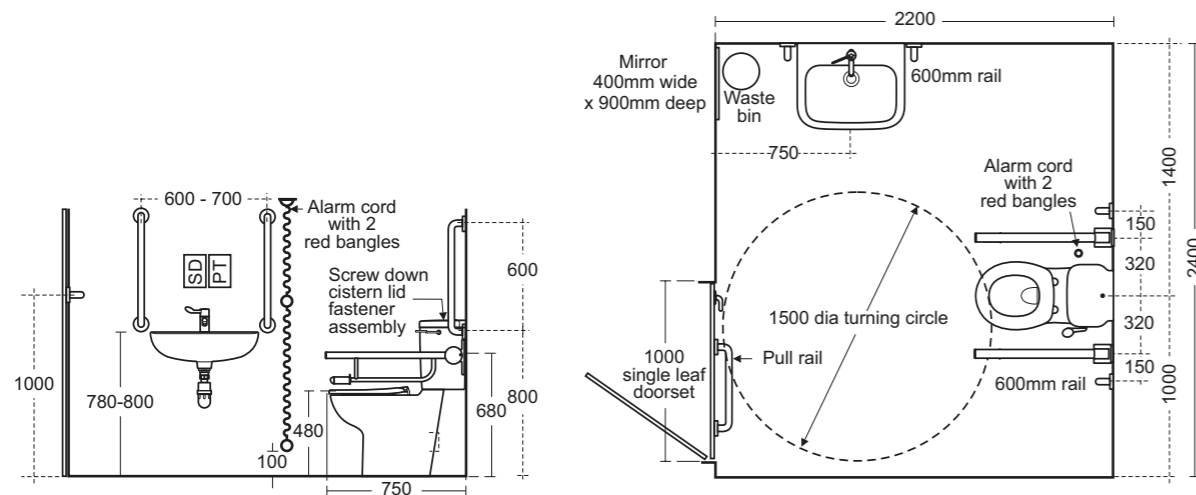
- Contour 21 close coupled raised height WC pan, 75cm projection with floor fixing kit
- 2 hinged arm support, with toilet roll holder
- Seat, no cover, top fixing hinges and retaining buffers
- Portman 21 washbasin, 60cm, no overflow
- TMV3 approved thermostatic mixer tap with copper tails
- Water saving cistern with spatula lever
- Grab rail straight, 60cm long x4
- Grab rail straight, 45cm long

**Contour 21 Peninsular
Care Doc M Pack**

○ With white rails (shown)	S0682AC
● With charcoal rails	S0682RN
● With blue rails	S0682LI



[Learn more](#)



CONTOUR 21+ AMBULANT BACK TO WALL OR CLOSE COUPLED DOC M PACKS

Equipment for ambulatory accessible WC compartments for walking impaired people.

Pack includes:

- Contour 21+ rimless back to wall WC. Raised height standard, projection
- Seat, no cover, top fixing hinges and retaining buffers
- Conceala 3 cistern 4.5 or 6 litre single flush with lever
- Grab rail straight, 60cm long x4
- Grab rail straight, 50cm long
- Clothes hook x2

Back to Wall Ambulant Pack

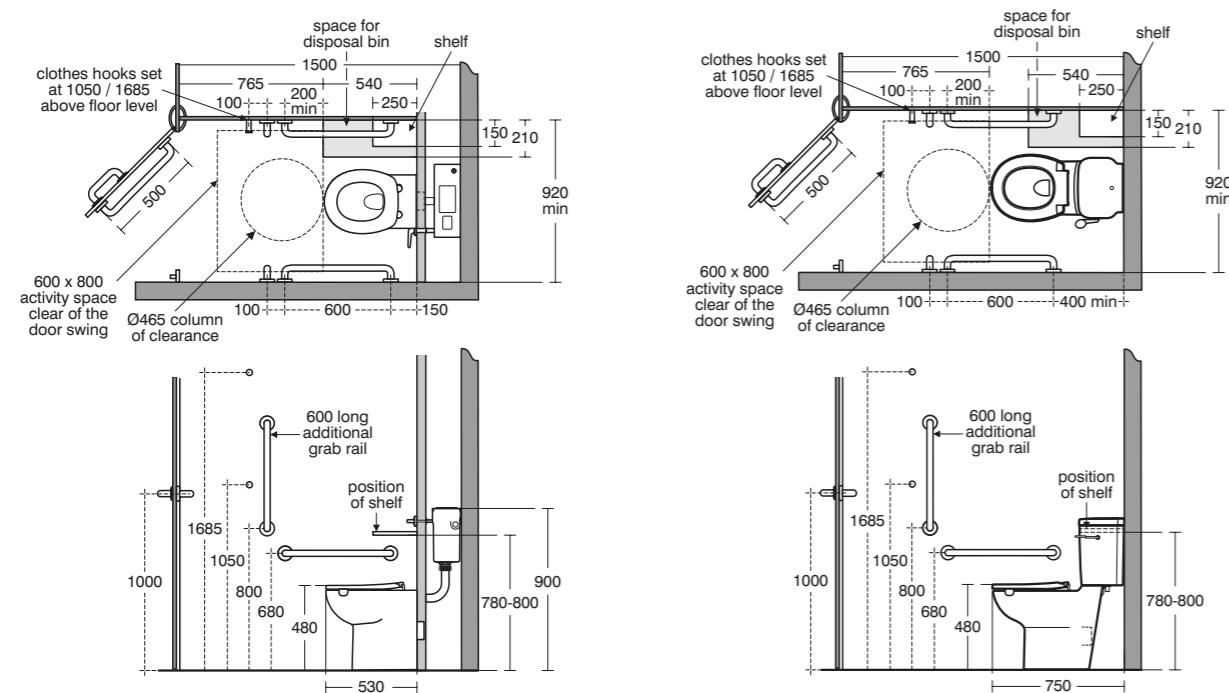
- With white rails **S0681AC**
- With blue rails **S0681LI**
- With grey rails **S0681LJ**
- With charcoal rails **S0681RN**
- With stainless steel rails (shown) **S0681MY**

Close Coupled Ambulant Pack

- With white rails **S6958AC**
- With blue rails **S6958LI**



[Learn more](#)



✓ Ambulant disabled cubicle solution



CONTOUR 21+ ENLARGED BACK TO WALL DOC M CUBICLE

The equipment in this installation conforms to the requirements for an enlarged WC cubicle as stipulated in Document M (volume 2) of the Building Regulations, suitable for use by people who need extra space, such as parents with children and babies, people carrying luggage as well as ambulant disabled people.

Product Codes

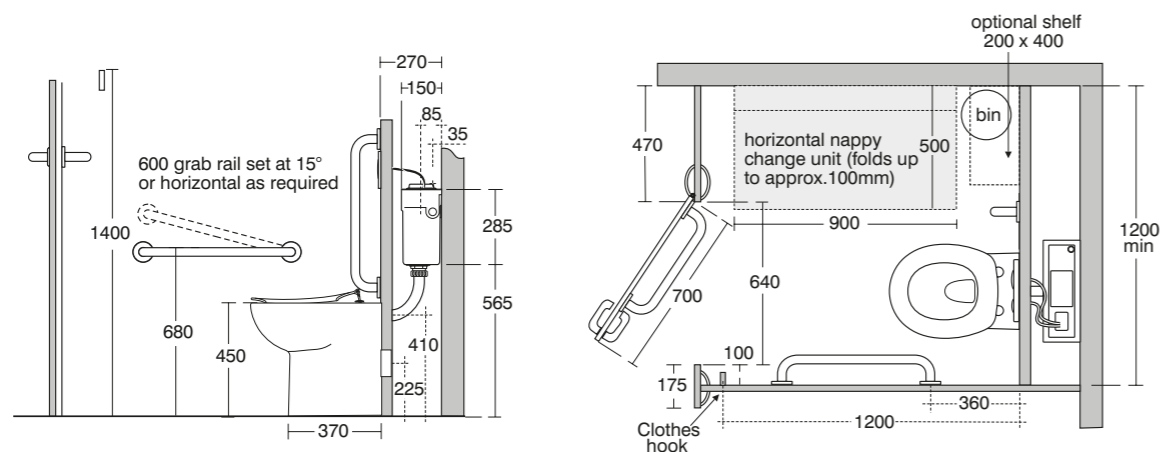
Contour 21+ raised height back to wall rimless toilet bowl with raised horizontal outlet and anti-microbial glaze	S0440HY	
Seat and cover, top fixing hinges, grey	S4065LJ	
Seat no cover, top fixing hinges, grey	S4066LJ	
Conceala 3 dual flush 6/4 litre cistern, pneumatic actuation, easily adjustable to lower volumes (4.5/3 or 4/2.6 litres)	S332667	
Conceala 3 dual flushplate	S1082AA	
Grab rail straight, 60cm long x2, stainless steel	S6454MY	
Grab rail straight, 45cm long, stainless steel	S6452MY	
Clothes hook	S5093LJ	

Colour options available include:

- White rails and white seat (AC)
- Blue rails and blue seat (LI)
- Grey rails and grey seat (LJ)
- Charcoal rails and charcoal seat (RN)
- Stainless steel rails and grey seat (MY)



[Learn more](#)



Enlarged back to wall cubicle solution



CONTOUR 21 CONCEALED SHOWER DOC M PACK

An installation for use by ambulant disabled, walking impaired and infirm people, providing shower area with slip-resistant floor, hinged seat, lever operated mixer fixed or adjustable shower head, shower curtain and grab rails. Thermostatic shower valve TMV3 approved to help prevent scalding. The shower valve and diverter are designed for duct installation.

Contour 21 Concealed Shower Doc M Pack

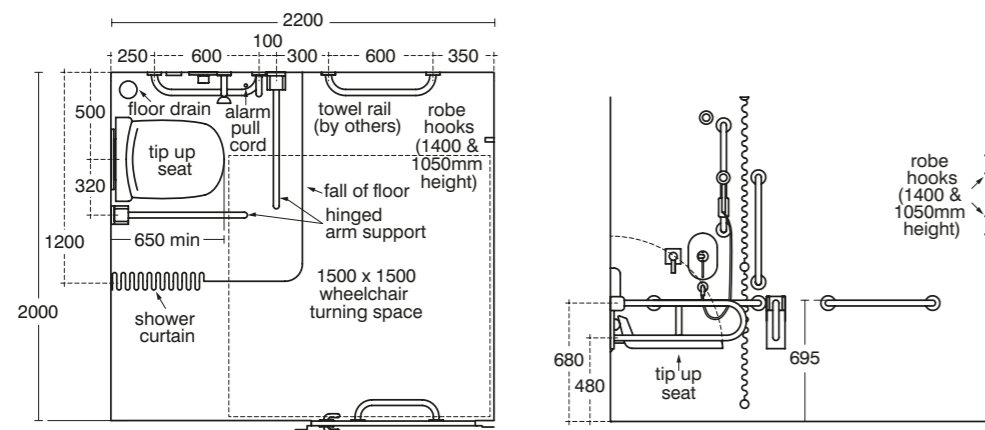
○ With white rails	S6960AC	
● With blue rails	S6960LI	
● With grey rails	S6960LJ	
● With charcoal rails	S6960RN	
● With stainless steel rails (shown)	S6960MY	

Pack includes:

- Contour 21 TMV3 approved lever operated sequential thermostatic built-in shower mixer
- Lever operated shower diverter
- Short projection shower head
- Armaglide 2 single function handspray, sliding shower handset holder and Idealrain shower hose
- Wall elbow
- Cat 5 hose ring for wall fixation
- Folding, fixed height shower seat with back support
- Grab rail straight, 60cm long x3
- Grab rail straight 45cm long x2
- Hinged support rail 80cm long x2
- Curtain rail and shower curtain
- Clothes hook x2



[Learn more](#)



Public shower facilities solution



CONTOUR 21 EXPOSED SHOWER DOC M PACK

Pack includes:

- Contour 21+ TMV3 approved thermostatic exposed shower valve
- Idealrain round shower system kit with M1 rainshower, fixed riser, M3 handspray and diverter for exposed mixers
- Cat 5 hose ring for wall fixation
- Folding, fixed height shower seat with back support
- Grab rail straight, 60cm long x3
- Grab rail straight 45cm long x1
- Hinged support rail 80cm long x2
- Curtain rail and shower curtain
- Clothes hook x2

Contour 21 Exposed Shower Doc M Pack

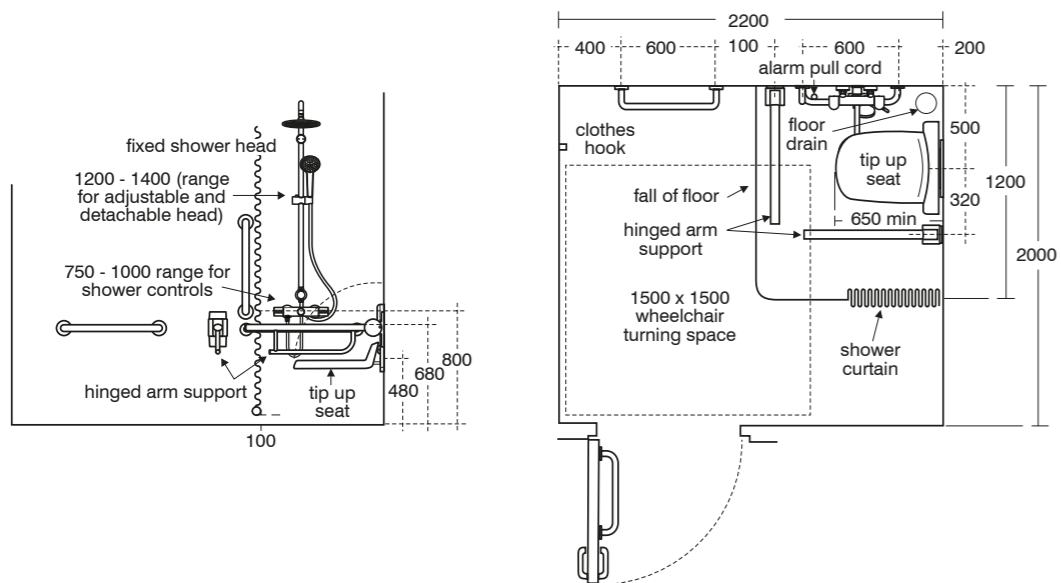
○ With white rails	S0755AC
● With blue rails	S0755LI
● With grey rails	S0755LJ
● With charcoal rails	S0755RN
● With stainless steel rails (shown)	S0755MY



[Learn more](#)



Certified to NSF TMV3





GUARANTEES

At Armitage Shanks, we take pride in the quality, durability and reliability of our products. That's why we offer generous guarantees across our full Doc M range, giving you complete confidence in your specification.

Standard guarantees include:

Lifetime guarantee on all ceramic products

5-year guarantee on taps, mixers, toilet seats, stainless steel, cistern fittings and grab rails

Silk Black Doc M pack guarantees:

Ceramics – Lifetime

Silk Black finish fittings and showers – 2 years

Grab rails and seats – 5 years

Where a product develops a manufacturing fault within the guarantee period, we will provide a free replacement or replacement part (or nearest equivalent). The guarantee applies to the product, not the purchaser, and can be transferred if the registration is passed on to a new owner.

Please note:

Products must be installed, used and maintained in accordance with our instructions and local water regulations.

The room must be adequately ventilated.

The guarantee does not cover general wear and tear, installation costs, or consequential loss or damage.

Flush valves and similar parts are covered for 5 years and will be replaced if found to be faulty.

This guarantee applies to the UK and Republic of Ireland only. You can register a guarantee even if the bathroom was purchased on your behalf by a plumber or builder.

Colours and finishes shown in this brochure are as accurate as printing allows. We follow a policy of continuous improvement and reserve the right to update product specifications and designs without prior notice. All measurements are in millimetres and subject to manufacturing tolerances. E&OE.

TECHNICAL INFORMATION

For further product details and specifications, visit IdealSpec.co.uk. You can also email specsupport@idealstandard.com for technical assistance, estimating@idealstandard.com for project pricing enquiries, or call us on **01543 413414**.

Armitage Shanks

Armitage,
Rugeley,
Staffordshire,
WS15 4BT,
England
Tel: 01543 490253

*Armitage
Shanks*