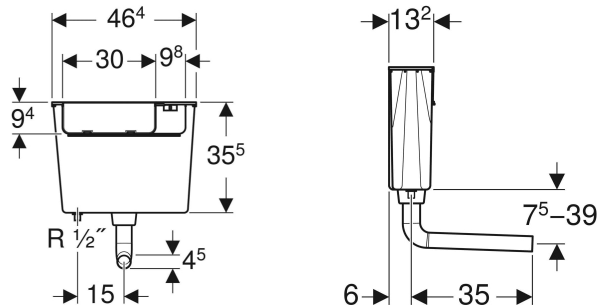


# Geberit low-height concealed cistern, 6 / 3 litres, pneumatic flush actuation



## APPLICATION PURPOSES

- For drywall construction
- For installation in bathroom furniture
- For installation in part-height prewall installations
- For low level installation
- For floor-standing WCs
- Not suitable for Geberit AquaClean Alba
- Not suitable for Geberit AquaClean Sela

## CHARACTERISTICS

- Flush actuation pneumatic
- Flush pipe connection with compression joint
- Cistern fulfils standard requirements in accordance with EN 14055, Class II
- Water supply connection on the bottom left
- Water supply connection 1/2"

Operating temperature, water max.	25 °C
Flush volume, factory setting	5.8 l
Product material	Plastic

## SCOPE OF DELIVERY

- Flush bend 90°
- Fastening for flush bend
- Cup for flush volume reduction 4.0 / 2.6 l
- Fastening material

## TECHNICAL DATA

Flow pressure 0.1–10 bar

Art. no.	B cm	H cm	T cm
109.721.00.2	46.4	35.5	13.2