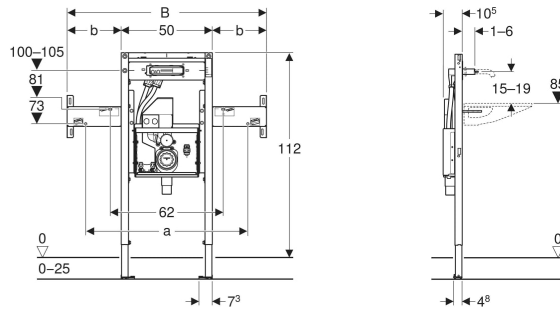


Geberit Duofix element for Geberit ONE washbasin, small projection and Geberit ONE wall-mounted tap, part-height, with concealed turn trap, with concealed Clou



Example image



APPLICATION PURPOSES

- For Geberit Duofix system walls
- For installation in part-height prewalls
- Suitable for less-abled installation
- For floor constructions 0–25 cm
- For Geberit ONE washbasins
- For Geberit ONE vanity basins
- For Geberit ONE washbasin taps wall-mounted, for Geberit ONE frame

CHARACTERISTICS

- 2025 range
- Statically self-supporting frame, protected against corrosion with powder coating
- Suitable for Geberit ONE

- Foot plates that can be mounted in Geberit Duofix system rail without tools, without additional components
- Galvanised non-slip leg supports protected against corrosion
- Tap crossbar height-adjustable
- Premounted fastening for wall-mounted tap
- Concealed turn trap with service opening
- In-wall cabinet with straight connector made of PE, \varnothing 50 / 56 mm
- Water supply connection compatible with MasterFix and MeplaFix
- Water supply connection on the bottom of concealed housing
- Concealed housing for Geberit ONE washbasin tap, premounted
- Premounted connection pipes between concealed housing and fastening for wall-mounted tap
- Shut-off unit integrated in the concealed housing
- Outlet mounting box in concealed housing

TECHNICAL DATA

Product material Steel

SCOPE OF DELIVERY

- 2 consoles
- Protection covers
- Female socket for mains connection
- Fastening material

ACCESSORIES

- Ready-to-fit set for Geberit ONE washbasin, floating design
- Ready-to-fit set for Geberit ONE vanity basin
- Geberit Duofix set of foot extensions 20 cm length

<i>Art. no.</i>	<i>a</i> cm	<i>B</i> cm	<i>b</i> cm	<i>Washbasin width</i> cm	<i>H</i> cm	<i>T</i> cm
111.091.00.2 New	59	80	15	75	112–130	12
111.092.00.2 New	74	95	22.5	90	112–130	12
111.093.00.2 New	89	110	30	105	112–130	12
111.094.00.2 New	104	125	37.5	120	112–130	12

New articles available from 01.06.2025