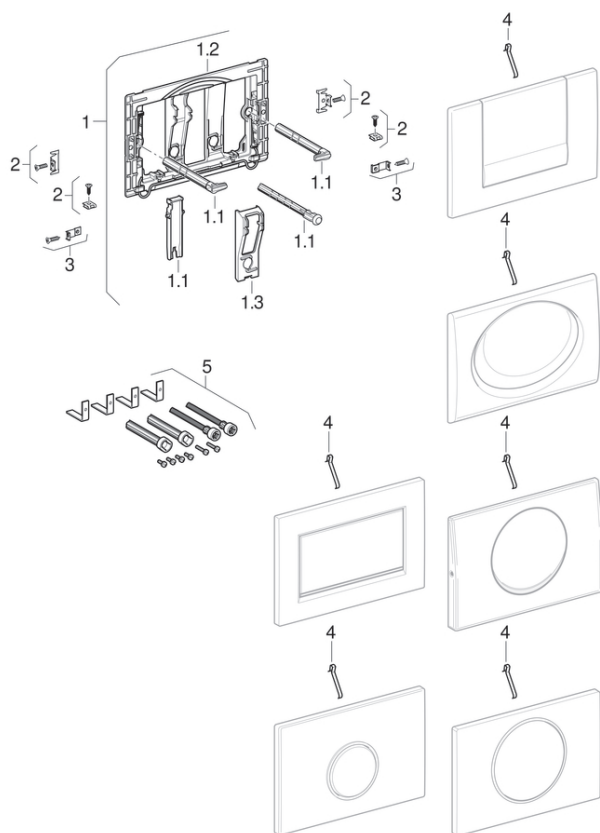


Flush plates Sigma, Rumba, Mambo, Tango, for stop-and-go flush

2000 -



Type Mambo, Rumba, Sigma10, Sigma30, Tango

Characteristics

Year of manufacture from	2000
Dimensions / Design	24.6 x 16.4 cm
Range	Rumba, Mambo, Tango, Sigma10, Sigma30

Valid for articles

115.750.11.1	115.750.21.1	115.750.46.1	115.750.KB.1
115.758.KH.1	115.758.KJ.1	115.758.KK.1	115.758.KL.1
115.758.KM.1	115.758.KN.1	115.760.11.1	115.760.21.1
115.760.45.1	115.760.46.1	115.760.DT.1	115.760.GM.1
115.760.HC.1	115.760.KA.1	115.893.14.1	115.758.14.5
115.758.JT.5	115.893.JT.1	115.758.KL.5	115.758.KN.5
115.758.KM.5	115.758.KH.5	115.758.KK.5	115.758.KJ.5
115.758.SN.5	115.787.SN.5	115.758.JQ.5	115.893.KJ.1
115.893.KX.1	115.893.KY.1	115.893.45.1	

Related spare parts

- Sigma concealed cisterns 12 cm (UP300)
- Sigma concealed cisterns 12 cm (UP320)
- Sigma concealed cisterns 8 cm, front actuation (UP720)

Brand Geberit

#	Art. no.	Description	Remarks
1	241.873.00.1	Geberit conversion set for flush plates Danceline	
1.1	241.874.00.1	Geberit set of actuator rods for flush plate	From 2008
1.2	241.876.00.1	Geberit mounting frame for flush plates Sigma	From 2008
1.3	241.878.00.1	Geberit bearing of rocker, for flush plate Mambo	From 2008
2	241.877.00.1	Geberit fastening material for flush plates Sigma and Delta (2 pc.)	For mounting frame Sigma from 2008
3	241.093.00.1	Geberit fastening material for cover plate Danceline (2 pc.)	Until the end of 2007
4	813.514.00.1	Geberit spring for flush plate	
5	240.938.00.1	Geberit extension set for Sigma, Omega and Kappa concealed cisterns	