

mainsboost

Mainsboost Composite

Mainsboost systems are designed to stabilise water pressure and increase flow to combination boilers and unvented systems allowing multiple taps and showers to be used at the same time.

The Mainsboost Composite pressure vessel is manufactured from lightweight and inert composite materials and offers unrivalled flexibility of design and integrity of the water supply.

Being 30% lighter than the equivalent steel Mainsboost pressure vessel makes this system much easier to handle and install.



Features

- Lightweight composite materials
- Corrosion resistant
- Flow rate up to 80 litres/minute per vessel
- 100 - 450 litre capacity vessel options
- Silent operation
- Maintenance free
- Consumes no electricity
- Robust construction
- Long life butyl diaphragm
- WRAS Approved product
- 5 year guarantee
- Includes comprehensive Upstream Line-In Kit (ULK) as standard

Application

- Suitable for boosting the cold water mains supply to residential and commercial properties
- Preferred option for NHS applications, private healthcare facilities and public buildings where exceptional standards of water hygiene are of paramount importance

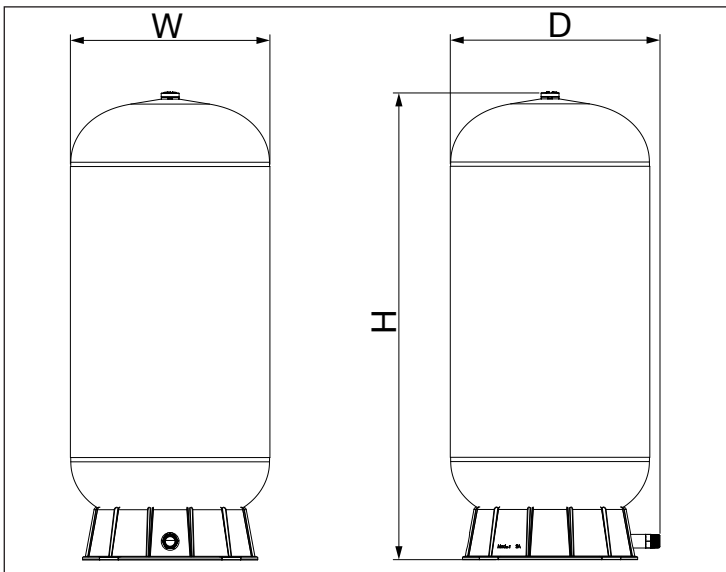
mainsboost

Mainsboost Vessel

| | | | | | | | | | |
|-------------------|---------------------------------|-----------------------------------|---|----------|----------|------------------------------|---------------------------|----------------------------|---------------------|
| General | Construction | | Continuous strand fiberglass with epoxy resin | | | | | | |
| | Membrane | | Butyl rubber | | | | | | |
| | WRAS approval | | 1501305 | | | | | | |
| | System patent no. | | 2349908 | | | | | | |
| | Guarantee | | 5 years | | | | | | |
| Performance | Maximum working pressure* | | 860 kPa (8.6 bar) | | | | | | |
| | Maximum rated temperature | | 90 °C | | | | | | |
| | Min / Max operating temperature | | Min 4 °C / Max 35 °C | | | | | | |
| Composite vessels | Model | Vessel capacity (litres)** | Dimensions (mm) | | | Weight empty (Kg) Dry | Weight filled (Kg) | Maximum weight (Kg) | ULK Kit (mm) |
| | | | H | W | D | | | | |
| | MB 100CV | 55 | 980 | 421 | 449 | 12 | 67 | 112 | 22 |
| | MB 130CV | 71 | 1242 | 421 | 449 | 15 | 86 | 145 | 22 |
| | MB 200CV | 110 | 1099 | 546 | 578 | 21 | 131 | 221 | 22 |
| | MB 250CV | 132 | 1355 | 546 | 578 | 26 | 158 | 276 | 22 |
| | MB 350CV | 174 | 1448 | 618 | 650 | 34 | 208 | 384 | 22 |
| MB 450CV | 248 | 1832 | 618 | 650 | 45 | 293 | 495 | 22 or 28 | |

* The maximum pressure that can be applied to the cylinder under any installation conditions.

**At typical working pressure



| Model Description | Dim. 'H' | Dim. 'W' | Dim. 'D' |
|-------------------|----------|----------|----------|
| MB 100CV | 980 mm | 421 mm | 449 mm |
| MB 130CV | 1242 mm | 421 mm | 449 mm |
| MB 200CV | 1099 mm | 546 mm | 578 mm |
| MB 250CV | 1355 mm | 546 mm | 578 mm |
| MB 350CV | 1448 mm | 618 mm | 650 mm |
| MB 450CV | 1832 mm | 618 mm | 650 mm |

Stuart Turner Limited reserves the right to amend specifications without notice.