

# Sensorflow 21 Urinal Flush Sensor, Low Pressure Valve Panel Mounted, Mains

## ILLUSTRATED

**A7058** Sensorflow 21 urinal flush, Low Pressure Valve, panel mounted, mains

### ILLUSTRATED PRODUCT DETAILS

**Weights**

**A7058** 1.51 KG

**Finishes**

**A7058**  Chrome (AA)

**Materials**

**A7058** Chrome Plated Brass

### FINISH OPTIONS

 (AA) Chrome

 (GN) Ultra Steel

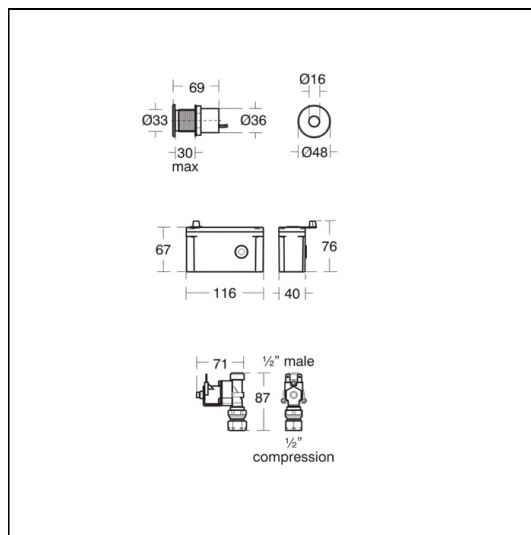
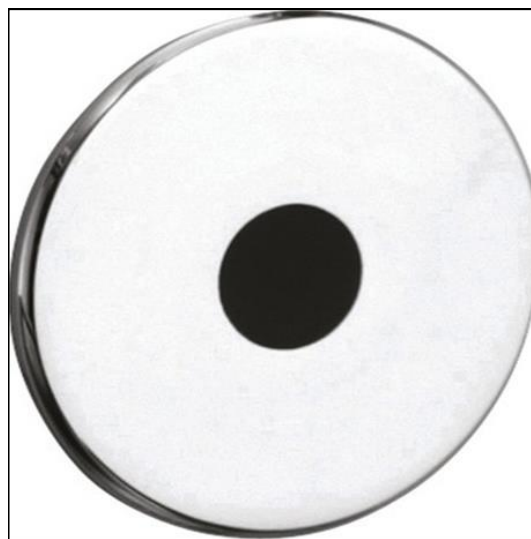
**Special Notes**

Check Local requirements for back flow prevention.

Suitable for water systems from 0.2bar 0.5bar.

Default 4sec run time, adjustment at installation.

Ensures full coverage without exceeding 1.5 litres per activation.



### FEATURES

