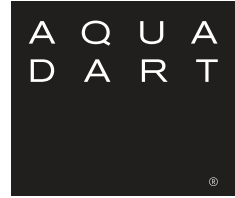


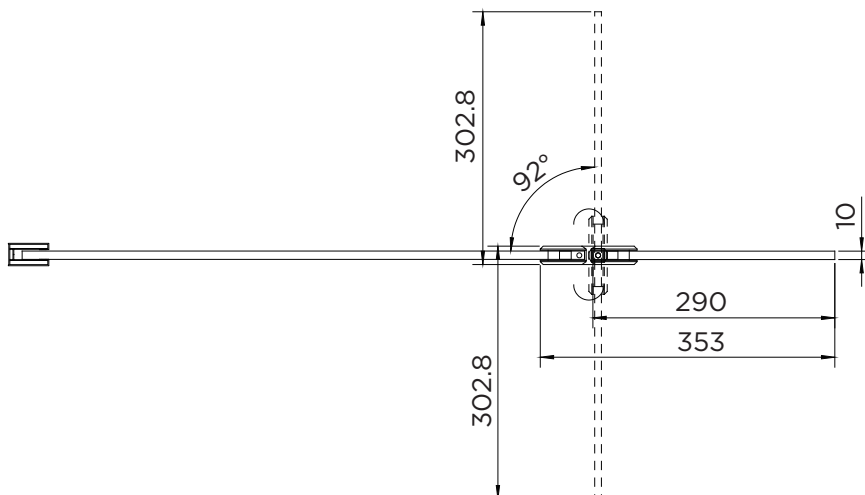
wetroom 10



BY CAVALIER BATHROOMS

WETROOM HINGED RETURN PANEL

RANGE	WETROOM 10
PRODUCT	HINGED RETURN
CODE	AQ8405BRS
SIZE	300
PROFILE COLOUR	BLACK
GLASS THICKNESS	10
GLASS FINISH	CLEAR
GLASS TREATMENT	CLEAN & CLEAR™
HEIGHT	2000
ADJUSTMENT IN RECESS	N/A
ADJUSTMENT WITH SIDE PANEL	N/A
OPTIONAL FLIPPER PANEL	N/A
APERTURE	N/A
GUARANTEE	LIFETIME
UKCA/CE	YES/BS EN 14428
GLASS BS EN	BS EN 12150-1T
PROFILE MATERIAL	N/A
HANDLE MATERIAL	N/A
HINGE MATERIAL	STAINLESS STEEL
QUICK RELEASE ROLLERS	N/A
GLASS PANEL SIZE	290
MOVING PANEL SIZE	N/A
PRODUCT HAND	UNIVERSAL
PRODUCT WEIGHT	18KG
PACKAGED DIMENSIONS	2075x345x75
BARCODE	5031978091085



All measurements in mm and are nominal

*All shower enclosures carry a Lifetime Guarantee when fitted with an Aquadart shower tray, a 10 year Guarantee will be given when fitted with any other manufacturer's tray. To register your Guarantee or order Spare Parts visit: www.cavalierbathrooms.co.uk