



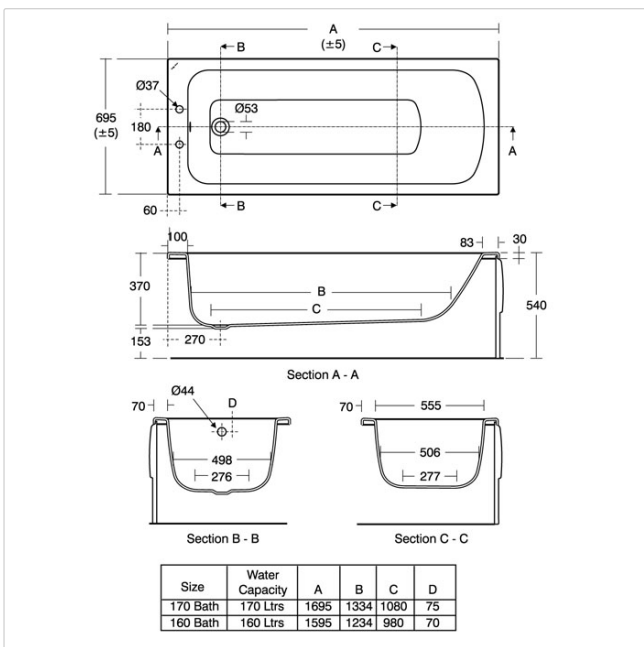
Sandringham 21 Bath 170x70cm 2 Tapholes

Illustrated

- E0282** Sandringham 21 bath 170 x 70cm 2 tapholes
- B9870** Sandringham 21 bath filler 2 hole
- S1019** Sandringham 21 front bath panel 170cm
- S1020** Sandringham 21 end bath panel 70cm
- S8970** Trap 1½" plastic P with 75mm seal, multi-purpose outlet suitable for plastic and BS copper pipe
- S8830** Waste 1½" bath chain and overflow, plastic plug
- A5901** TMV Thermostatic mixing valve 22mm

Configuration options

- B9866** Sandringham 21 bath pillar taps
- B9871** Sandringham 21 bath shower 2 hole mixer with shower set
- B9877** Sandringham 21 bath filler 2 hole, crosshead handles
- B9878** Sandringham 21 bath shower mixer 2 hole with shower set, crosshead handles
- B9882** Sandringham 21 bath pillar taps, lever handles
- B9883** Sandringham 21 bath filler 2 hole, lever handles
- B9884** Sandringham 21 bath shower mixer 2 hole with shower set, lever handles
- S8790** 1½" bath pop-up waste and overflow



Material

Idealform

Standards

Constructed to BS EN 198

Weights

- E0282 20.00KG
- B9870 2.10KG
- S1019 3.60KG
- S1020 1.80KG
- S8970 1.00KG
- S8830 1.78KG
- A5901 1.70KG

Special Notes

Frame and supports inclusive.

Capacity

174 litres (to overflow)

Colours

White (01)

Frequently used applications

Hotels Residential