



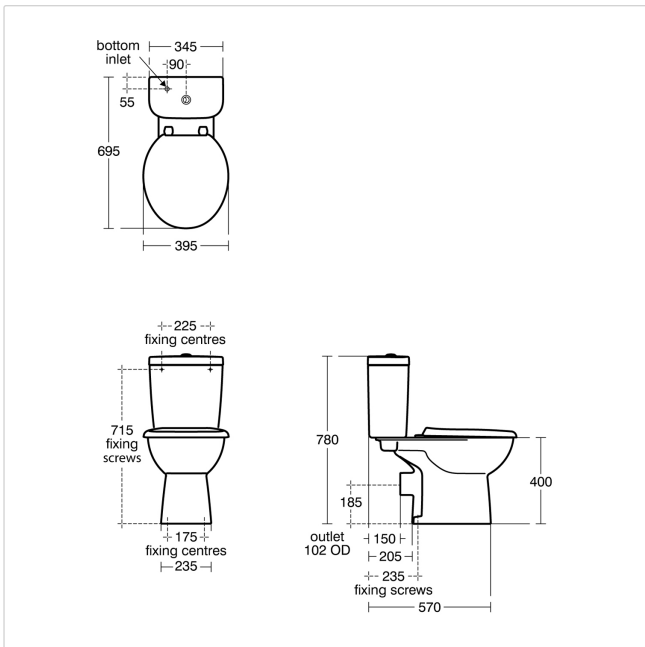
## Sandringham 21 Smooth Close Coupled WC Suite

### Illustrated

- E8221** Sandringham 21 Smooth close coupled WC pan with horizontal outlet
- E8999** Sandringham 21 Smooth Close coupled 4/2.6 litre dual flush valve, bottom supply and internal overflow
- E9076** Sandringham 21 seat and cover
- S9101** Domex screws (pair)

### Configuration options

- E8966** Sandringham 21 Close Coupled 6/4 litre dual flush valve, bottom supply and internal overflow
- E8967** Sandringham 21 Close Coupled 4/2.6 litre dual flush valve, bottom supply and internal overflow
- E8998** Sandringham 21 Smooth Close coupled 6/4 litre dual flush valve, bottom supply and internal overflow
- E9074** Sandringham 21 seat and cover metal hinges
- E9086** Sandringham 21 seat no cover metal hinges
- S2985** Sandringham 21 seat and cover, slow close
- S4305** Panekta outlet Connector, finned pattern to convert horizontal outlet WCs to P trap
- S4300** Panekta outlet Connector, finned pattern to convert horizontal outlet WCs to S or turned P trap



### Material

Vitreous China

### Standards

Vitreous china to BS 3402

### Weights

- E8221 15.50KG
- E8999 14.34KG
- E9076 2.17KG
- S9101 0.22KG

### Special Notes

WC screwed to floor and cistern screwed to wall (not supplied).

### Colours

White (01)

### Frequently used applications

- |                       |                    |
|-----------------------|--------------------|
| Education             | Factory            |
| Hotels                | Office             |
| Public Building       | Pubs and Clubs     |
| Residential           | Retail             |
| Social Housing        | Sports and Leisure |
| Student Accommodation |                    |

### Features

Water Saving