



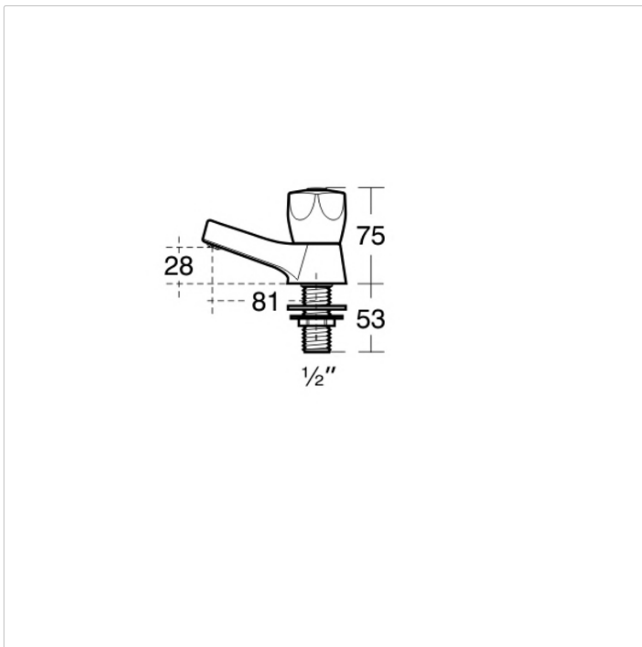
Sandringham 21 Countertop Washbasin 50cm 2 Taphole No Chainstay Hole

Illustrated

- E8954** Sandringham 21 countertop washbasin 50cm, 2 tapholes with overflow, no chainstay hole
- B9865** Sandringham 21 Washbasin Pillar Taps
- S8722** Waste 1¼" brass strainer waste, 80mm slotted tail
- S8920** Trap 1¼" plastic resealing bottle, 75mm seal, multi-purpose outlet

Configuration options

- B9875** Sandringham 21 washbasin pillar taps, crosshead handles
- B9881** Sandringham 21 washbasin pillar taps, lever handles
- S8737** Waste 1¼" brass anti theft waste with captive plug, no chain, 80mm slotted tail
- S8803** Waste 1¼" Click plug waste, 80mm slotted tail
- S8733** Waste 1¼" brass anti theft swivel plug waste, 80mm slotted tail
- A5900** TMV Thermostatic mixing valve 15mm
- S8910** Trap 1¼" plastic bottle, 75mm seal, multi-purpose outlet



Material

Vitreous China

Weights

E8954	7.00KG
B9865	1.05KG
S8722	0.22KG
S8920	2.00KG

Colours

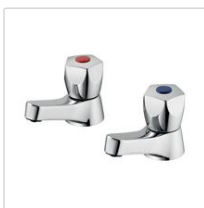
White (01)

Special Notes

Self-rimming for drop-in installation as per template supplied and joint sealed with waterproof sealant (not supplied).

Frequently used applications

Education	Factory
Hotels	Office
Public Building	Pubs and Clubs
Residential	Retail
Sports and Leisure	



*Armitage
Shanks*

Email: info@idealspec.co.uk
Tel: 0870 122 8822
Fax: 0870 122 8282
Web: www.idealspec.co.uk

Ideal Standard (UK) Ltd. makes every effort to ensure that the information provided on its website is accurate. However, we cannot guarantee this, and accept no liability for any information or advice given via its website.

Powered by
Ideal Spec

Date created: 18/07/2016