



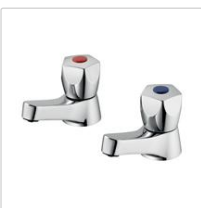
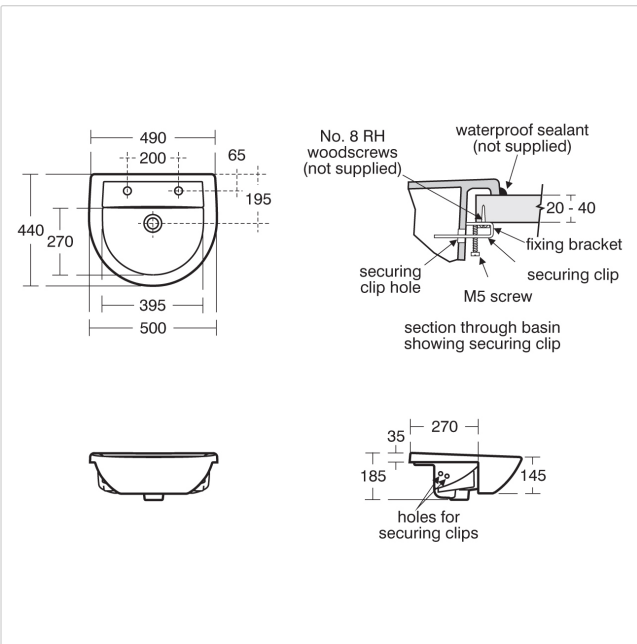
Sandringham 21 Semi-Countertop Washbasin, 50cm 2 Taphole No chainstay Hole

Illustrated

- E8961** Sandringham 21 semi-countertop washbasin 50cm, 2 tapholes with overflow no chainstay hole
- B9865** Sandringham 21 Washbasin Pillar Taps
- S8722** Waste 1¼" brass strainer waste, 80mm slotted tail
- S8920** Trap 1¼" plastic resealing bottle, 75mm seal, multi-purpose outlet

Configuration options

- B9875** Sandringham 21 washbasin pillar taps, crosshead handles
- B9881** Sandringham 21 washbasin pillar taps, lever handles
- S8737** Waste 1¼" brass anti theft waste with captive plug, no chain, 80mm slotted tail
- S8803** Waste 1¼" Click plug waste, 80mm slotted tail
- S8733** Waste 1¼" brass anti theft swivel plug waste, 80mm slotted tail
- A5900** TMV Thermostatic mixing valve 15mm
- S8910** Trap 1¼" plastic bottle, 75mm seal, multi-purpose outlet



Material

Vitreous China

Standards

Vitreous china to BS 3402

Weights

- E8961 13.39KG
- B9865 1.05KG
- S8722 0.22KG
- S8920 2.00KG

Special Notes

Washbasin fixed to countertop with securing clips provided. Joint sealed with waterproof sealant (not supplied).

Colours

White (01)

Frequently used applications

- | | |
|--------------------|----------------|
| Education | Factory |
| Hotels | Office |
| Public Building | Pubs and Clubs |
| Residential | Retail |
| Sports and Leisure | |