



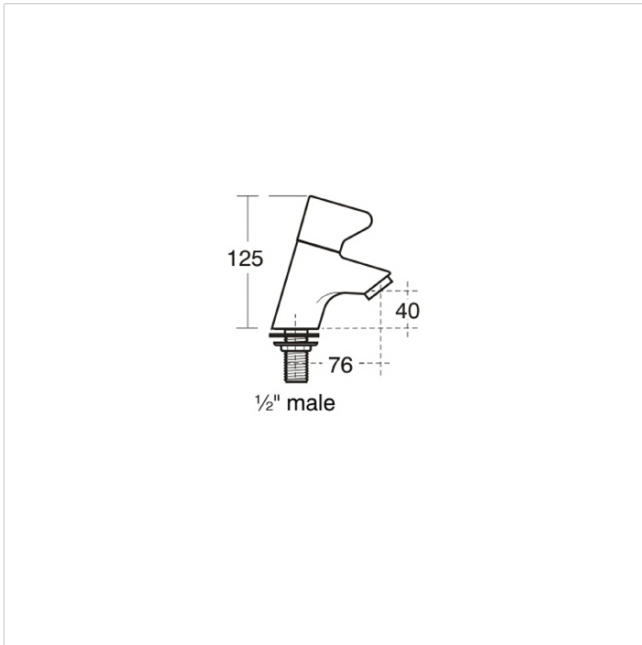
## Portman 21 Washbasin 60cm 2 Taphole, Chainstay Hole & Overflow

### Illustrated

- S2257** Portman 21 washbasin 60cm, 2 tapholes with overflow and chainstay hole
- E0157** Wall fixing set
- B8262** Piccolo 21 inclined 1/2" washbasin pillar taps, lever operated, dual hot and cold indices, anti-vandal water saving nozzle
- S8800** Waste 1 1/4" plastic waste with bead chain and plug, 80mm slotted tail, bolt stay
- S8920** Trap 1 1/4" plastic resealing bottle, 75mm seal, multi-purpose outlet

### Configuration options

- E0062** Basin fixing set for IPS panels or block walls
- B8267** Avon 21 washbasin inclined pillar taps (pair) with dual Hot and Cold indices per tap, self closing push button non concussive, water saving anti-vandal nozzle regulated to 3.7 litres per minute maximum. Alternative low pressure outlet option supplied.
- A5900** TMV Thermostatic mixing valve 15mm
- S9137** Bracket concealed with clamps and centre waste support for Portman 21 washbasins 60 and 50cm



### Material

Vitreous China

### Weights

S2257	16.79KG
E0157	0.16KG
B8262	1.60KG
S8800	0.08KG
S8920	2.00KG

### Colours

White (01)

### Special Notes

S9137 Bracket for 60cm basin. Recommended fixing heights (floor to front rim);  
Nursery use 600mm  
Infant use 700mm  
Junior use 750mm  
Senior/adult use 780-800mm.  
Washbasin wall mounted using E015767 wall fixing set or panel mounted using E006267 fixing set

### Frequently used applications

Education	Factory
General Healthcare	Hotels
Office	Public Building
Pubs and Clubs	

*Armitage  
Shanks*

Email: [info@idealspec.co.uk](mailto:info@idealspec.co.uk)  
Tel: 0870 122 8822  
Fax: 0870 122 8282  
Web: [www.idealspec.co.uk](http://www.idealspec.co.uk)

Ideal Standard (UK) Ltd. makes every effort to ensure that the information provided on its website is accurate. However, we cannot guarantee this, and accept no liability for any information or advice given via its website.

Powered by  
**Ideal Spec**

Date created: 27/07/2016