



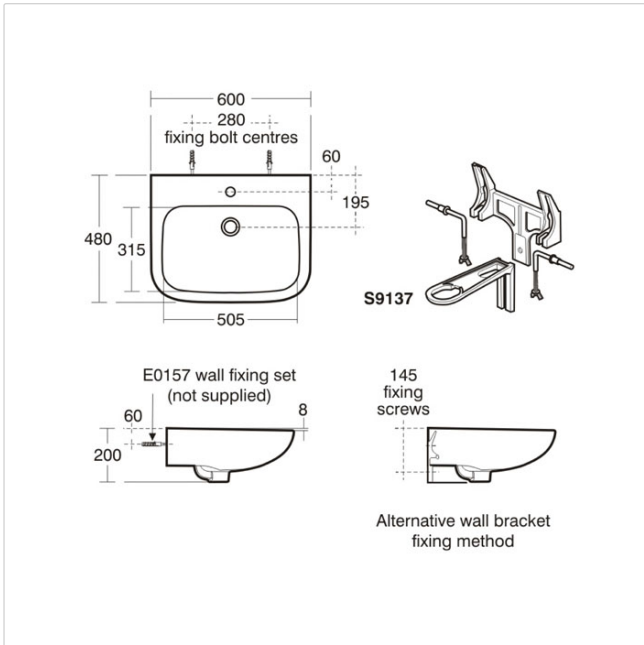
Portman 21 Washbasin 60cm 1 Taphole No Overflow Or Chainstay Hole

Illustrated

- S2293** Portman 21 washbasin 60cm, 1 taphole, no overflow or chainstay hole
- E0157** Wall fixing set
- S8800** Waste 1¼" plastic waste with bead chain and plug, 80mm slotted tail, bolt stay
- S8920** Trap 1¼" plastic resealing bottle, 75mm seal, multi-purpose outlet

Configuration options

- E0062** Basin fixing set for IPS panels or block walls
- B8262** Piccolo 21 inclined ½" washbasin pillar taps, lever operated, dual hot and cold indices, anti-vandal water saving nozzle
- S9137** Bracket concealed with clamps and centre waste support for Portman 21 washbasins 60 and 50cm



Material

Vitreous China

Weights

- S2293 16.79KG
- E0157 0.16KG
- S8800 0.08KG
- S8920 2.00KG

Colours

White (01)

Standards

Vitreous china to BS 3402.
Washbasin to BS EN 14688 & BS EN 31

Special Notes

Washbasin wall mounted using E0157 wall fixing set or panel mounted using E0062 fixing set. Alternatively S9137 or S9138 Brackets can be used.

Frequently used applications

General Healthcare Hospitals

Features

DocM