



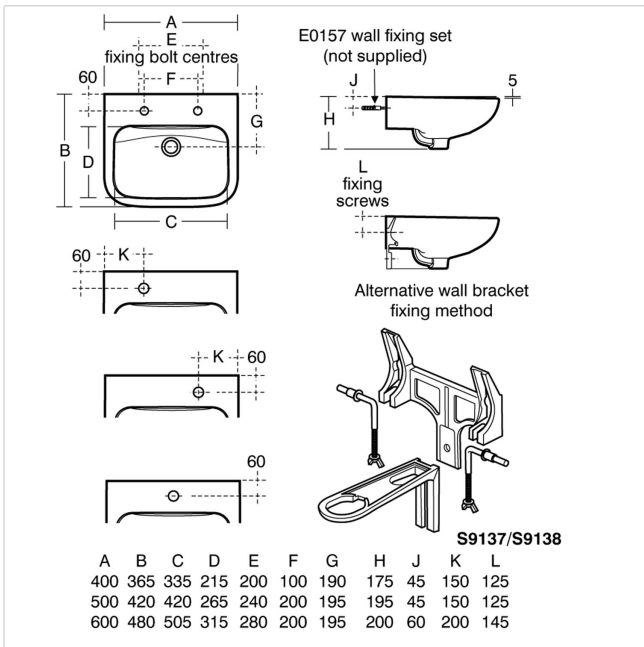
Portman 21 Washbasin 50cm 2 Taphole, Chainstay Hole & Overflow

Illustrated

- S2309** Portman 21 washbasin 50cm, 2 tapholes with overflow and chainstay hole
- E0157** Wall fixing set
- B8262** Piccolo 21 inclined 1/2" washbasin pillar taps, lever operated, dual hot and cold indices, anti-vandal water saving nozzle
- S8800** Waste 1 1/4" plastic waste with bead chain and plug, 80mm slotted tail, bolt stay
- S8920** Trap 1 1/4" plastic resealing bottle, 75mm seal, multi-purpose outlet

Configuration options

- E0062** Basin fixing set for IPS panels or block walls
- S9137** Bracket concealed with clamps and centre waste support for Portman 21 washbasins 60 and 50cm



Material

Vitreous China

Weights

- S2309 12.73KG
- E0157 0.16KG
- B8262 1.60KG
- S8800 0.08KG
- S8920 2.00KG

Colours

White (01)

Standards

Vitreous china to BS 3402.
Washbasin to BS EN 14688 & BS EN 31

Special Notes

Washbasin wall mounted using E0157 wall fixing set or panel mounted using E0062 fixing set. Alternative S9137 Bracket can be used.

Capacity

6

Frequently used applications

- | | |
|--------------------|--------------------|
| Education | Factory |
| General Healthcare | Hotels |
| Office | Public Building |
| Pubs and Clubs | Residential |
| Retail | Sports and Leisure |
| Vandal Risk | |