



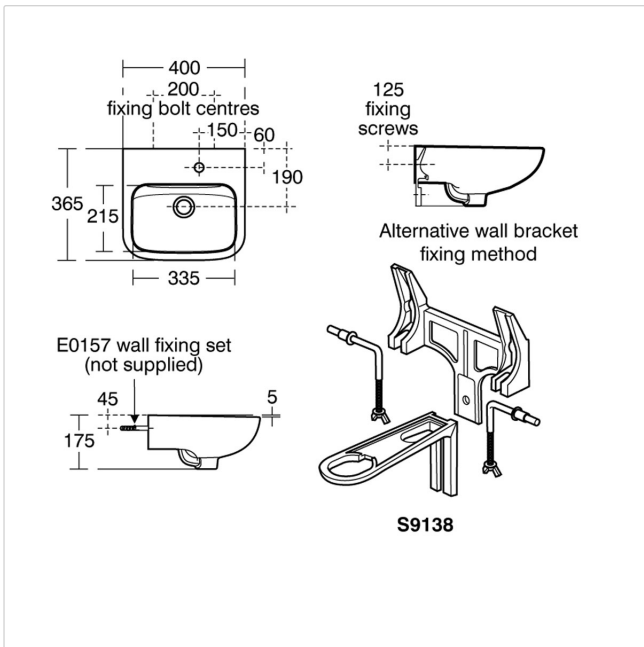
## Portman 21 Washbasin 40cm RH Taphole, No Overflow or Chainstay Hole

### Illustrated

- S2314** (LB G S) Portman 21 washbasin, 40 x 37cm, single right hand taphole, no overflow, no chainstay hole
- E0157** Wall fixing set
- A6430** Contour 21 Thermostatic basin mixer with Bioguard
- S8800** Waste 1¼" plastic waste with bead chain and plug, 80mm slotted tail, bolt stay
- S8920** (TRR1/P) Trap 1¼" plastic resealing bottle, 75mm seal, multi-purpose outlet

### Configuration options

- E0062** Basin fixing set for IPS panels or block walls
- A4169** (TP6) Contour 21 washbasin mixer thermostatic 1 hole, single sequential long lever, copper tails
- S9138** Bracket concealed with clamps and centre waste support for Portman 21, 40cm washbasins



### Material

Vitreous China

### Weights

S2314	9.70KG
E0157	0.16KG
A6430	2.70KG
S8800	0.08KG
S8920	2.00KG

### Standards

Vitreous china to BS 3402.  
Washbasin wall mounted using E0157 wall fixing set or panel mounted using E0062 fixing set.

### Special Notes

Washbasin wall mounted using E0157 wall fixing set or panel mounted using E0062 fixing set. Alternative S9138 bracket can be used. Recommended fixing heights; Corner WC arrangement 720-40 Wheelchair access 680-700mm.

### Colours

White (01)

### Frequently used applications

General Healthcare                      Hospitals

### Features

HTM  
Space Saving

