



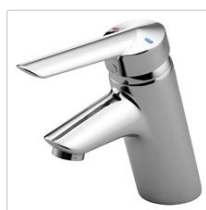
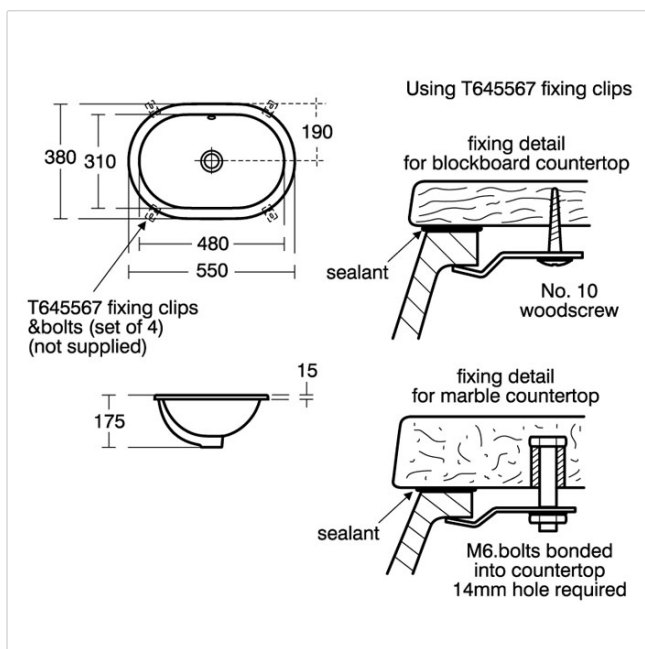
## Marlow 21 Oval 55cm Under-countertop Washbasin, Overflow

### Illustrated

- S2685** Marlow 21 Oval 55cm under-countertop washbasin with overflow
- B8260** Piccolo 21 washbasin 1 taphole mixer, fitted 5 litres per minute aerated flow regulator, optional flow straightener, EasyFix, temperature limit stop, flexible tails no pop up waste
- S8733** Waste 1¼" brass anti theft swivel plug waste, 80mm slotted tail
- S8920** Trap 1¼" plastic resealing bottle, 75mm seal, multi-purpose outlet

### Configuration options

- A4852** Sensorflow 21 compact washbasin mounted spout integral sensor servicing valve and filter, copper tube inlets, mains
- S8803** Waste 1¼" Click plug waste, 80mm slotted tail
- S8722** Waste 1¼" brass strainer waste, 80mm slotted tail
- A5900** TMV Thermostatic mixing valve 15mm
- S8910** Trap 1¼" plastic bottle, 75mm seal, multi-purpose outlet
- E0079** Trap 1¼" Contemporary metal bottle, 75mm seal



### Material

Fine Fireclay

### Weights

S2685	8.00KG
B8260	1.65KG
S8733	0.35KG
S8920	2.00KG

### Colours

White (01)

### Special Notes

This washbasin is not suitable for separate pillar taps. Washbasin mounted on underside of countertop using fixing clips provided. Joint sealed using waterproof sealant (not supplied).

Consideration should be given to safe hot water delivery and the use of an appropriate temperature reduction device see A5900AA

### Designer

Robin Levien, RDI

### Capacity

5

### Frequently used applications

Education	Hotels
Office	Public Building
Pubs and Clubs	Residential
Retail	Sports and Leisure

### Accreditations

WRAS  
Water Label

*Armitage  
Shanks*

Email: [info@idealspec.co.uk](mailto:info@idealspec.co.uk)  
Tel: 0870 122 8822  
Fax: 0870 122 8282  
Web: [www.idealspec.co.uk](http://www.idealspec.co.uk)

Ideal Standard (UK) Ltd. makes every effort to ensure that the information provided on its website is accurate. However, we cannot guarantee this, and accept no liability for any information or advice given via its website.



Date created: 18/07/2016