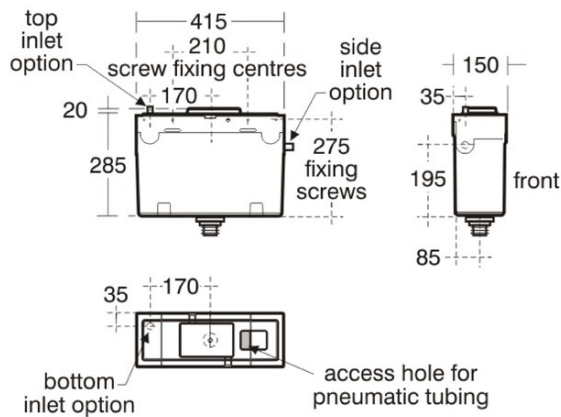




For Illustrative Purposes Only



Conceala 2 Delay Fill Valve Cistern Universal Height 4.5/3 Litre Bottom Supply

Illustrated

S3636 Conceala 2 cistern delay fill 4.5/3 litre dual flush valve bottom supply and internal overflow, alternative height plastic flushbends

Configuration options

- S4504** Contemporary flush plate dual flush, Armitage Shanks logo, stainless steel for Conceala 2 cisterns
- E4437** Contemporary flush plate dual flush, Ideal Standard logo for Conceala 2 cisterns
- S4399** Contemporary flush plate dual flush, unbranded for Conceala 2 cisterns

Material

Plastic

Weights

S3636 3.00KG

Colours

Neutral / No Finish (67)

Frequently used applications

- | | |
|--------------------|----------------|
| Education | Factory |
| General Healthcare | Hospitals |
| Hotels | Office |
| Public Building | Pubs and Clubs |
| Residential | Retail |
| Sports and Leisure | |

Features

Water Saving

Accreditations

Water Label

*Armitage
Shanks*

Tel: 0870 122 8822
Fax: 0870 122 8282
Email: info@idealspec.co.uk
Web: www.idealspec.co.uk

Ideal Standard (UK) Ltd. makes every effort to ensure that the information provided on its website is accurate. However, we cannot guarantee this, and accept no liability for any information or advice given via its website.

Powered by
IdealSpec

Date created:03/07/2013