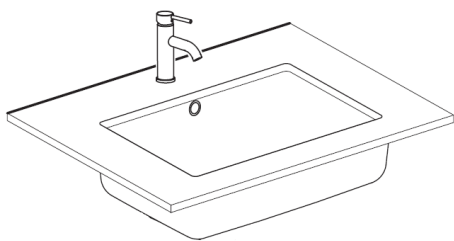


BAGNODESIGN

EXPERTLY CRAFTED BATHROOMS

General Installation Guide



UNDER- COUNTER WASH BASIN

NOTE: for illustrative purposes only a 545mm wash basin is shown, please follow the same procedure to install the other products. Countertop not included

A member of  SANIPEXGROUP

IMPORTANT PLEASE READ

Remove all packaging and check the product for missing parts or damage before starting installation.

Any alterations made to this product and fittings may infringe water regulations and invalidate the guarantee.

The Installation must comply with all Local/National Water Supply Authority Regulations/Byelaws and Building and Plumbing Regulations.

We strongly recommend that your product be installed by a reputable qualified trade's person.

General Installation:

Please note this product can require 2 or more persons to lift and manoeuvre into position.

All **BAGNODESIGN** under-counter basins are Negative reveal – The countertop extends over the edge of the basin on all sides by approximately 3-5mm

To the installer: Please read and follow this instruction carefully, as the guarantee is only valid if the product is installed as directed.

Don't rush, read the instructions first and run through them before you begin. Keep fittings together to avoid loss. Do not over tighten screws or bolts.

If the unit is covered with polyethylene protective film, do not remove until installation is complete to grant maximum protection. However, remove film where any two surfaces will be in permanent contact.

Verify that all dimensions on the plan are the same as the ones of the product.

Please leave this installation manual with the end user once the product has been installed.

Product Aftercare:

We recommend cleaning with a soft damp cloth and mild soap solution.

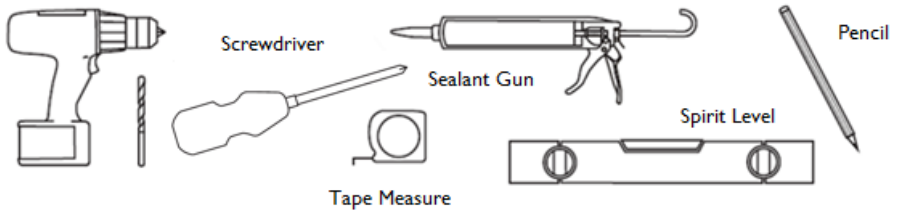
Do not use cream cleaners or cleaners containing bleach.

Do not scrub or scour.

Do not use abrasive cleaning agents.

Do not use solvent based cleaners.

TOOLS REQUIRED (Not supplied)



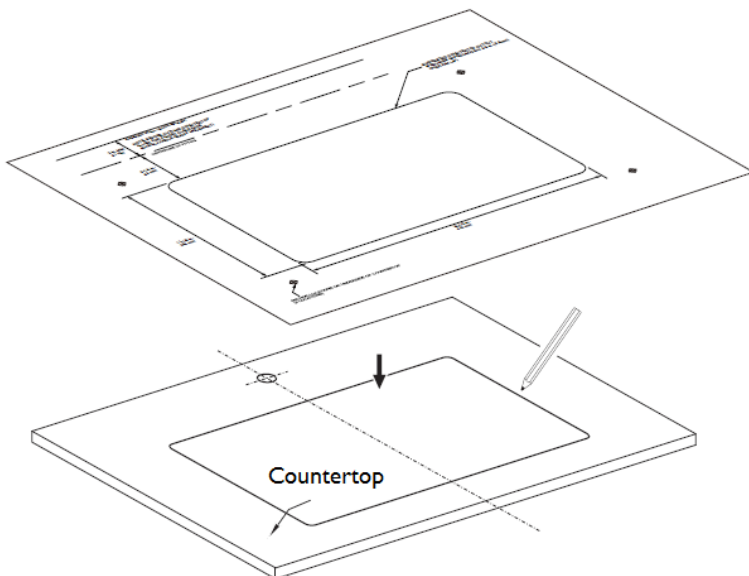
Drill and drill bits

Required when drilling the countertop brackets. Use an appropriate size bit to match the basin fixing chosen (screws and fixings may not be supplied).

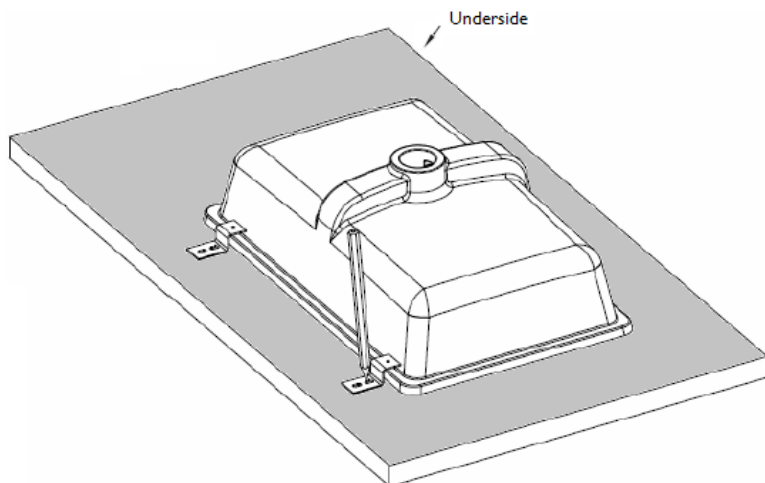
Installation

Note: Cut-out template is provided as a guide only. Due to the nature of ceramics, dimensions of actual product can vary slightly. Before cutting countertops ensure that basin dimensions exactly match that of the template. **BAGNODESIGN** is not responsible for incorrect cutting.

Please use the fixing brackets and a flexible adhesive (silicon) to install the basin, use of a brittle adhesive (marble glue) is not recommended due to the expansion and contraction of the two fixing surfaces.

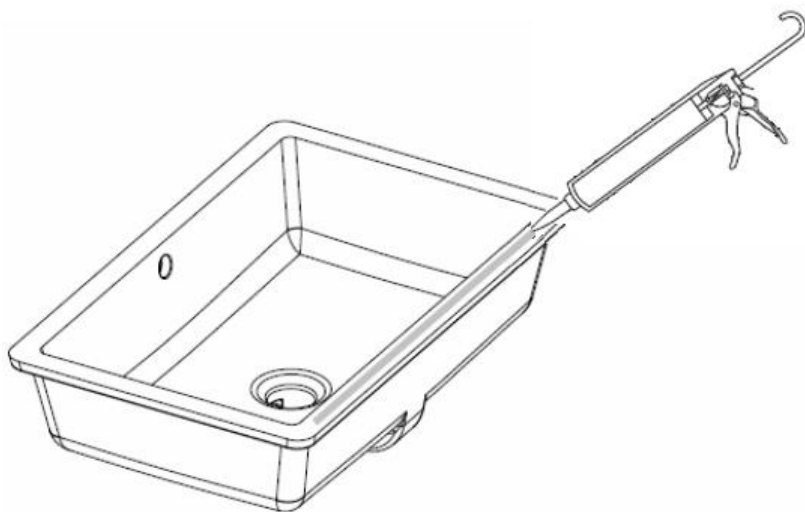


Place the cut-out template on the countertop, making sure that basin front is parallel to the front of the counter. *(If no template is available use the wash basin as a template)*

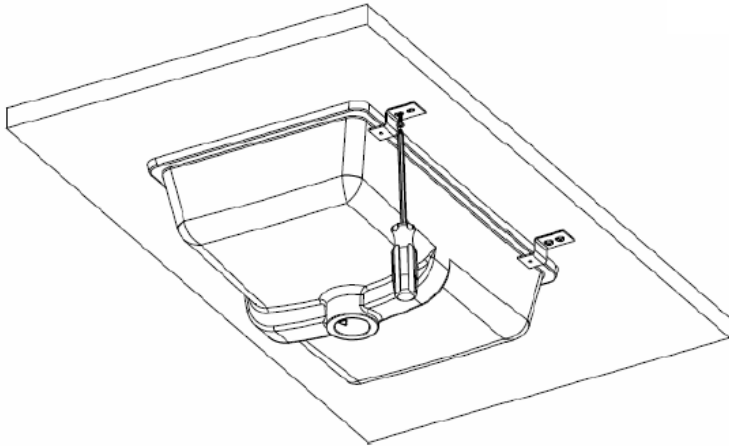


If the countertop is not fixed, to mark the brackets flip the countertop over and rest the basin in position, if the countertop is fixed use the template or hold the basin in position and mark.

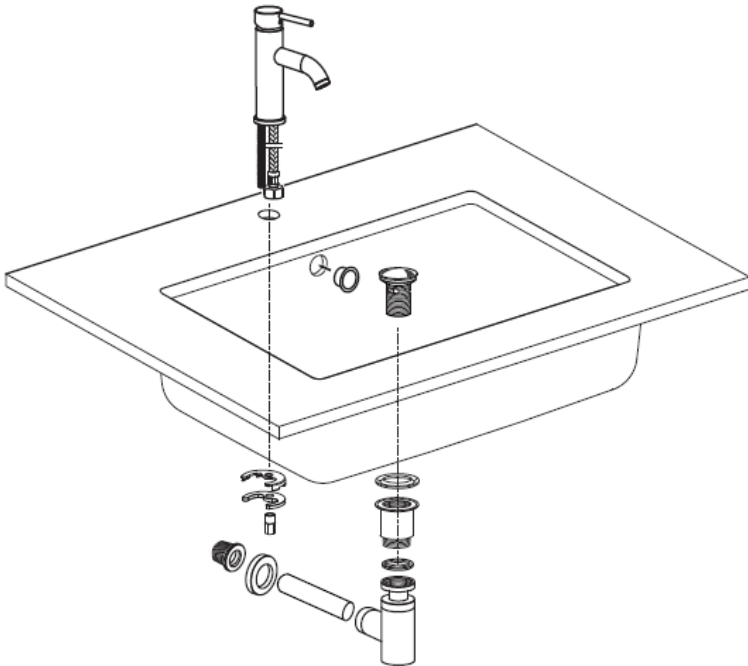
Note: *Drill holes for anchor plugs for undermount clips according to method desired based on countertop material. Use a drill bit with stop block to avoid drilling through the countertop.*



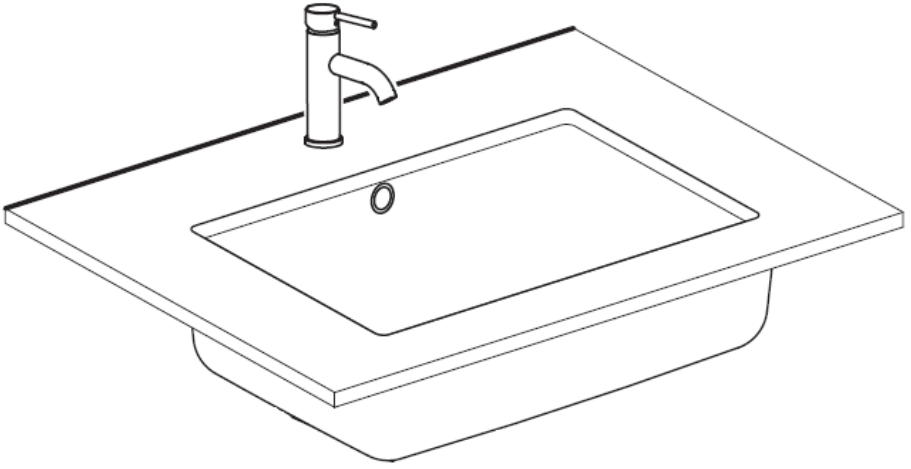
With the worktop cut and drilled, apply a bead of silicon evenly around the top flat edge of the basin.



Position and align the basin with the opening, then install the brackets and tighten the screws to secure the basin. Remove any excess sealant.



Add the desired brassware and waste to the wash basin.



INSTALLATION COMPLETE!!!

