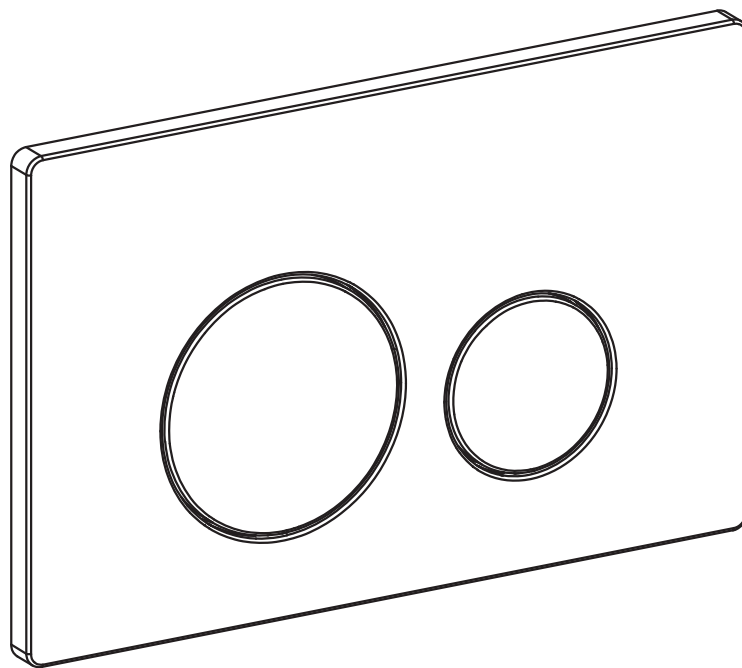
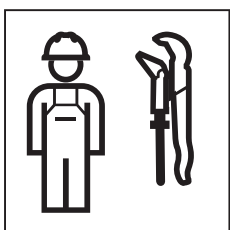


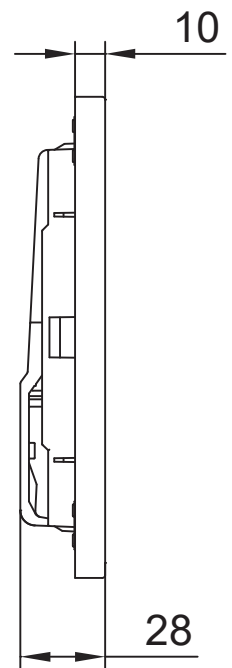
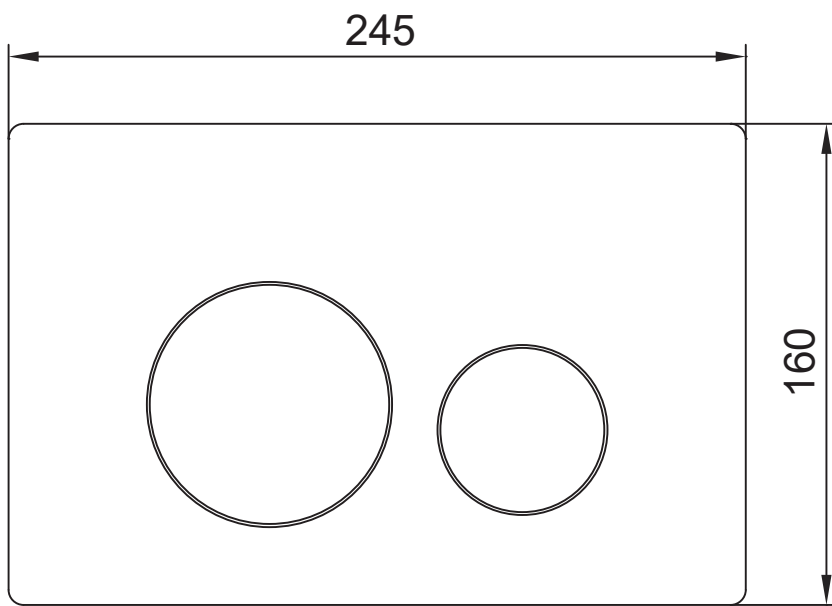
**C.P. HART**

# **INSTALLATION MANUAL**



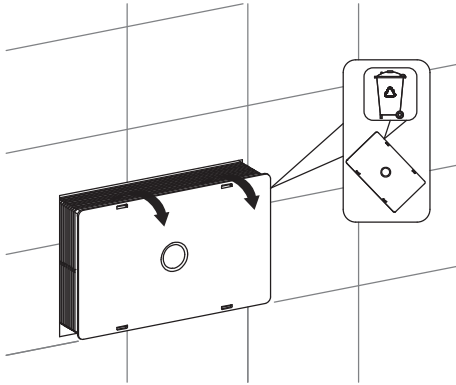
MONTAGEANLEITUNG  
INSTRUCTIONS DE MONTAGE  
ISTRUZIONI PER IL MONTAGGIO



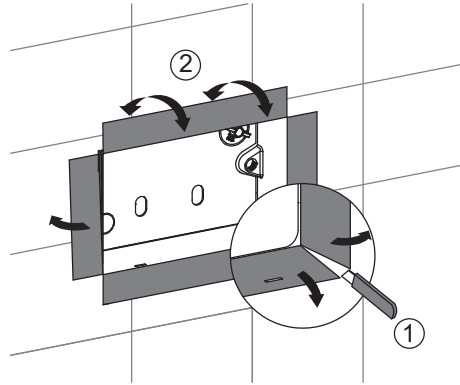




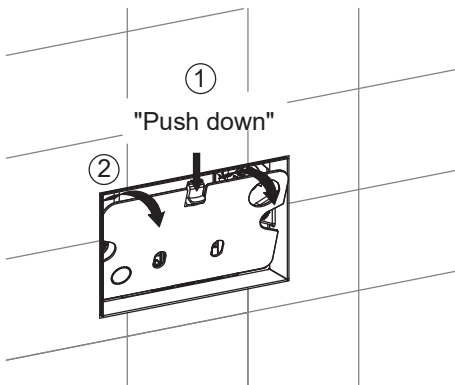
1



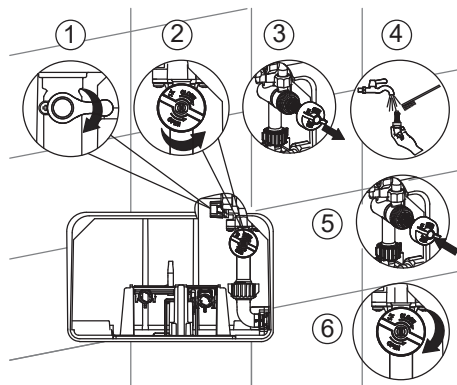
2



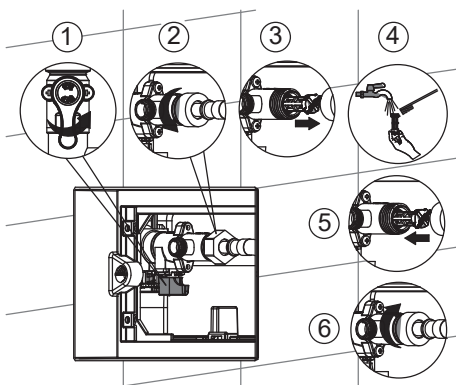
3



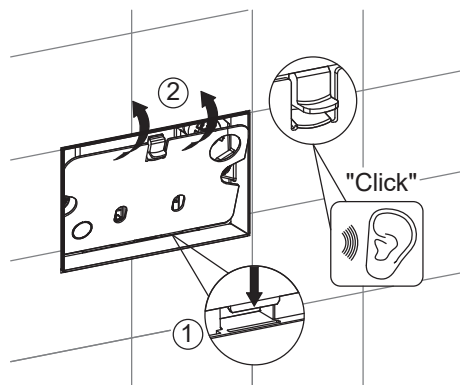
4-A Tall version concealed cistern



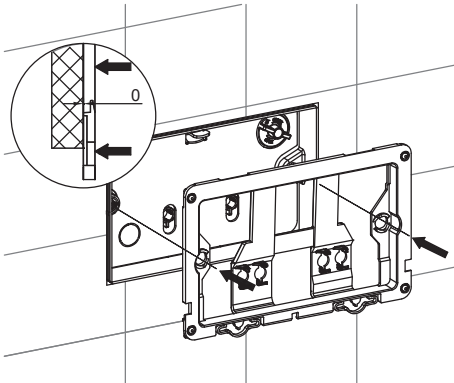
4-B Short version concealed cistern



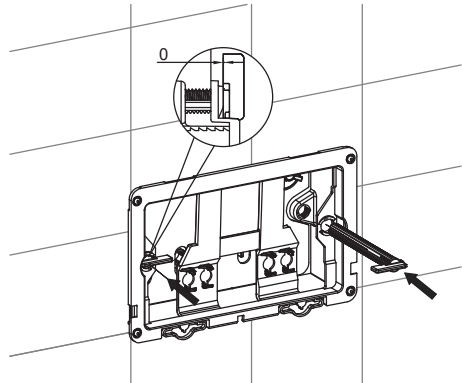
5



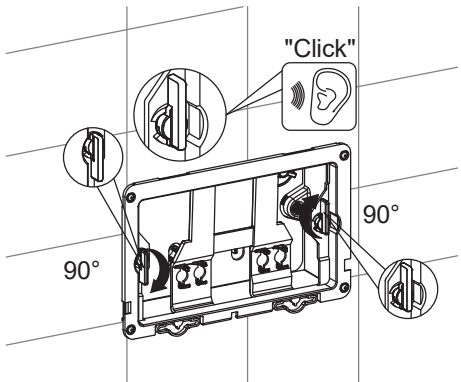
6



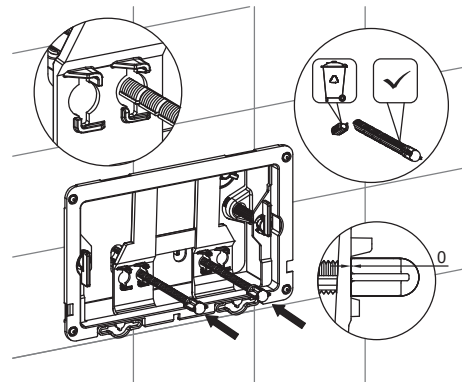
7



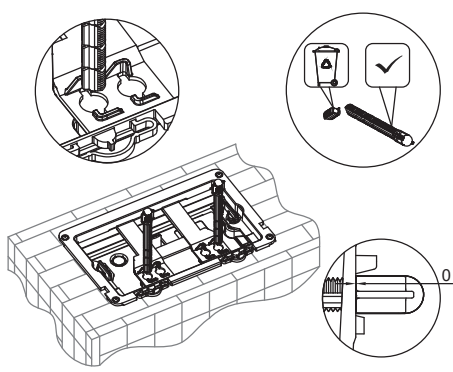
8



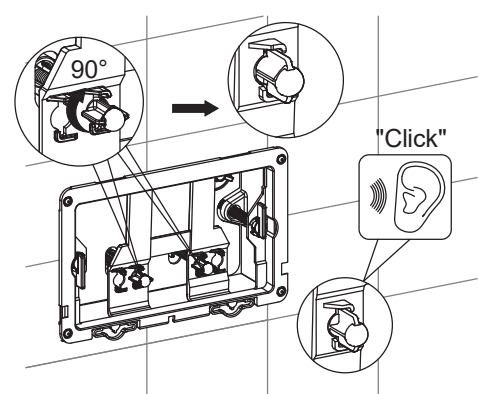
9-A Panel front - installation



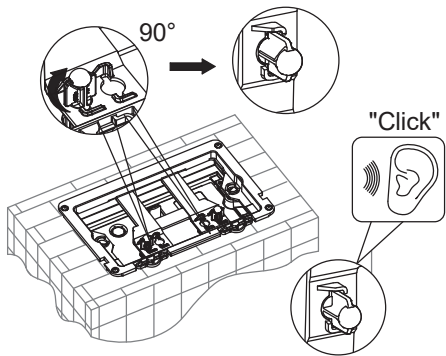
9-B Panel top - installation



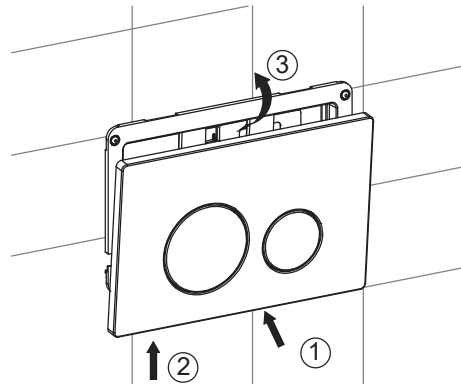
10-A Panel front - installation



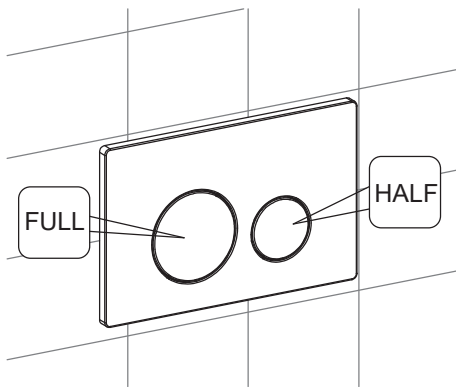
10-B Panel top - installation



11



12



## **Guarantee**

This product is guaranteed against manufacturing defects from the date of purchase until the expiry of the relevant guarantee period shown below:

1. 5 years on flush plates of all finishes.
2. 5 years on cisterns.
3. 5 years on parts only.

### **Guarantee conditions**

The guarantee is only valid if:

- The product has been installed by a competent professional following C.P. Hart's installation instruction.
- The product has been used and maintained according to C.P. Hart's instructions and is subject to normal use only.
- The defect is not due to the use of an unsuitable or inadequate water supply.
- The defect is not due to acts of force majeure, atmospheric or geological phenomena, chemical agents, the hardness of water, excess lime, excessive atmospheric humidity, etc.
- The defect is not due to accident, misuse, neglect, damage caused by foreign objects or substances, or incorrect/inappropriate repair (other than by C.P. Hart or C.P. Hart authorised agents).
- The defect is not due to modifications of any kind for any reason.

The guarantee is non-transferable to any subsequent owner. Under the guarantee, C.P. Hart will, at its option, repair or replace free of charge any product (or replacement part) found to be defective. The guarantee does not extend to any consequential loss or damage. After repair or replacement, the relevant guarantee period will be calculated from the original date of purchase.

All claims under the guarantee must be submitted in writing to the person who supplied the product to you and must be received no later than the last day of the relevant guarantee period. All claims must be accompanied by proof of purchase (sales receipt or delivery note).

### **Notes:**

- Labour by C.P. Hart or C.P. Hart authorised agents is only available in the UK. Attendance by a C.P. Hart engineer or authorised agent will be under our standard terms and conditions.
- Spare parts and hoses (including shower hoses) are under parts only guarantee.
- C.P. Hart reserves the right to charge in advance for a product (or replacement part) pending collection and investigation (at C.P. Hart's expense) to confirm a defect is due to a manufacturing issue. If a defect is found, the charge will be refunded or cancelled.

C.P. Hart operates a policy of continuous product development and, therefore, reserves the right to change the product, packaging, and documentation specifications without notice.

This guarantee is in addition to and does not affect your statutory rights as a consumer.

### **C.P. Hart Ltd**

Unit 40, Charles Park, Claire Causeway, Crossways Business Park, Dartford DA2 6QA

Tel: 0345 600 1950

CPHART.CO.UK