

Please ensure these instructions are followed carefully - if you are unsure about any aspect of the installation, please consult a qualified installer. In the event of any problem with the function of this equipment, please check installation before consulting your supplier.

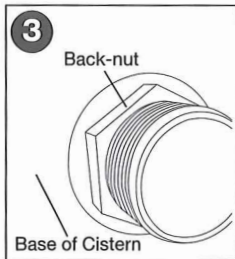
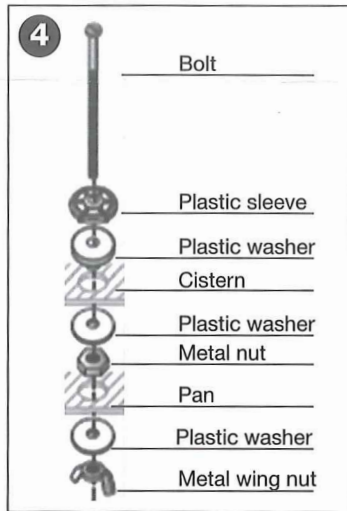
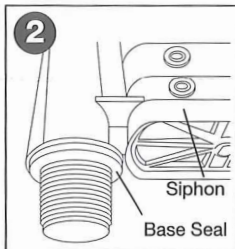
WARNING

- Do not use mole grips on plastic nuts.
- Do not use a sealing compound as damage may occur to plastic components.
- Do not over tighten plastic nuts.

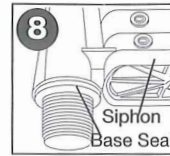
Close Coupled - Bolted Kit



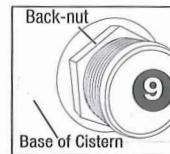
Assemble the 2 bolts (diagram 4). Feed both bolts through the respective holes and secure using the metal washer and nut (diagram 1). The complete assembly of the bolted kit is shown in diagram 4. Place the rubber washer over the threads of the siphon (diagram 2). Feed siphon through hole in cistern. Secure hand tight using back-nut provided (diagram 3). Tighten a further half turn using a suitable spanner.



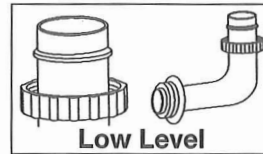
Low/High Level



For low / high level packs, place the rubber washer over the threads of the siphon (diagram 8). Feed through hole in cistern. Secure hand tight using back-nut provided (diagram 9). Tighten a further half turn using a suitable spanner. The flushpipe assembly is shown below (high level flushpipe not supplied).

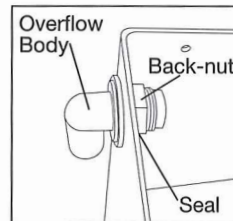
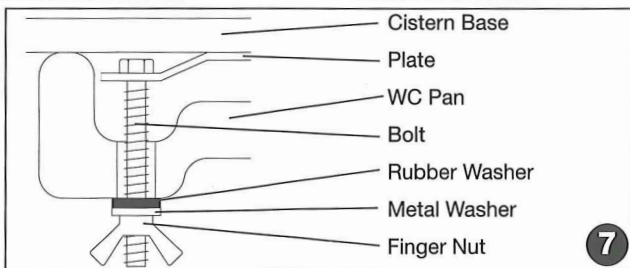
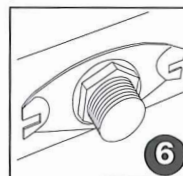
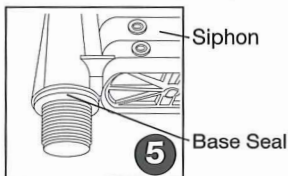


When fitting either seal, ensure that the rounded edge on the low level seal and the bevelled edge on the high level seal are pointing towards the end of the flushpipe that is to be inserted into the threads of the siphon (do not insert more than 40mm into the tail of the siphon).

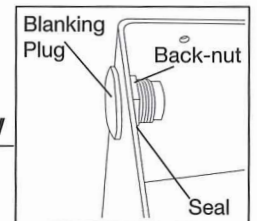


Close Coupled - Plated Kit

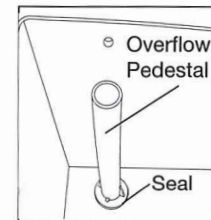
Place the rubber washer over the threads of the siphon (diagram 5) and feed through hole in cistern, place the plate over threads of siphon, secure hand tight using back-nut provided (diagram 6) and tighten a further half turn using a suitable spanner. (Diagram 7) shows the complete assembly.



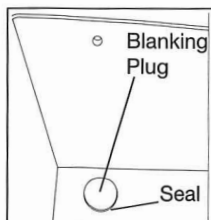
Side External Overflow



Side Internal Overflow



Bottom External Overflow



Bottom Internal Overflow

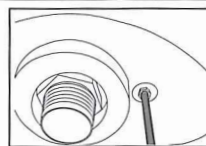
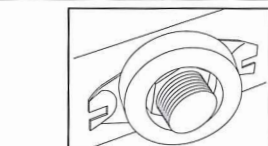
Back-nut (from view of base of cistern).

The seal must also be fitted on the inside of the cistern.

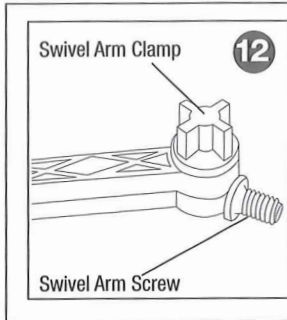
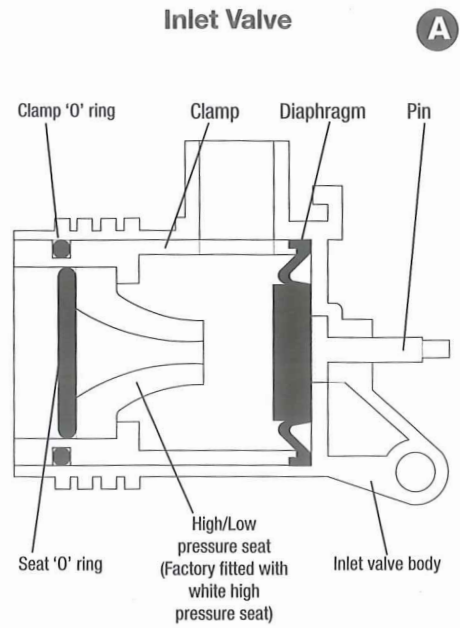
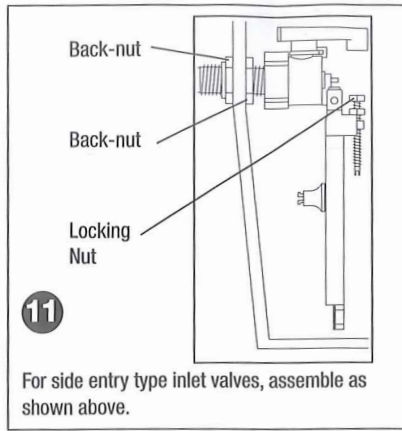
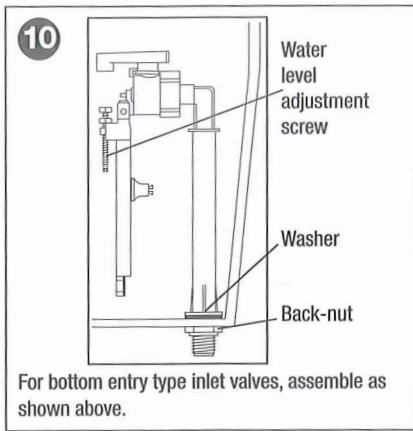
For dual flush siphons only

For Full flush, press and hold the handle down until the flush has completed its cycle.

For Part flush, press and release the handle.



Both methods of closed coupled packs require a closed couple washer between the WC pan and cistern as shown in the diagrams above.



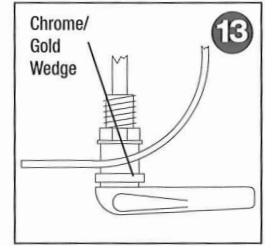
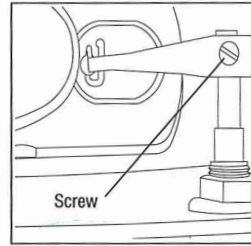
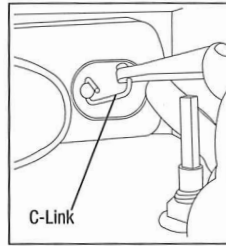
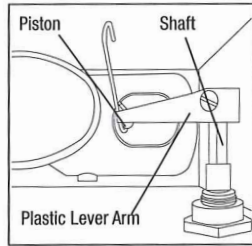
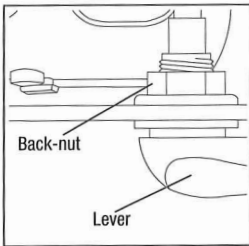
Hold the swivel arm screw on the underside of the float arm. Insert the swivel arm clamp from the top of the inlet valve arm, tighten to secure in place, screw the float onto the swivel arm screw, check for free movement of the float, (ensure the float does not get caught on the side/back wall of the cistern). To adjust the water level, rotate the water level adjustment screw, turn clockwise to reduce shut-off level, turn anti-clockwise to raise shut-off level, secure by hand tightening the locking nut.

The inlet valve is fitted with a high pressure seat (white), if water pressure is low, the inlet valve is supplied with low pressure seat (red, attached to the inlet valve arm) that can be swapped. Diagram A shows the internal assembly of the inlet valve body.

IMPORTANT NOTICE

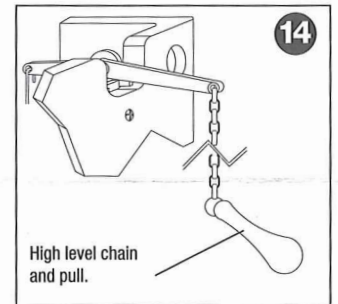
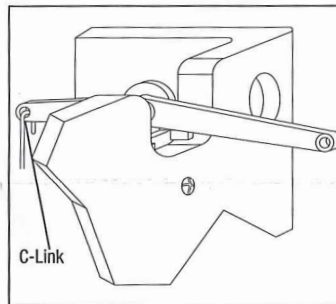
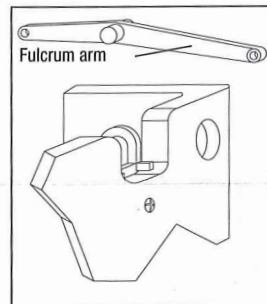
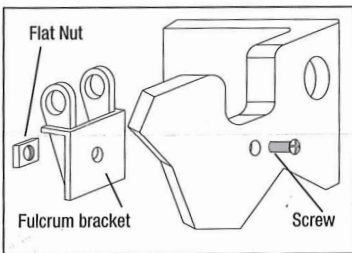
Low pressure (red) working pressure 0.1 bar to 1.0 bar
 High pressure (white) working pressure 1.1 bar to 14 bar

Low Level Lever



Feed the lever through the handle hole and secure in place using the back-nut provided, slide the plastic lever arm over the shaft, ensure the end of the lever arm lines up over the top of the piston, remove from shaft, cut plastic lever arm to suit (if applicable), attach onto C-link, slide back onto shaft and secure in place using screw. Diagram 13 shows a low level lever mechanism when wedges are required, the chrome/gold wedge is to be fitted externally on the cistern.

High Level Lever



Secure the fulcrum bracket in place using the screw and flat nut provided, hook the fulcrum arm onto the C-link and clip the fulcrum arm into the fulcrum bracket, attach the high level chain and pull.

Final Commissioning

- Before turning on the water supply, check all components are free moving and all joints are correctly made.
- Fill the cistern with water and carefully check for leaks.
- Test the overflow by holding the float down, ensure that incoming water is completely discharged. If not, partially close the isolation valve (not supplied) and try again, repeat until all incoming water is discharged.
- Check that the inlet valve shuts off on the water line indicated inside the cistern.