

Neo Angle

Instruction Manual

DXP



IMPORTANT INFORMATION

Be aware toughened glass can shatter if not handled correctly. It should not be subjected to any sharp impact and it is essential to protect the glass by resting it on a soft protective surface during installation such as cardboard or carpeting. It is recommended to wear PPE at all times during installation.



PRE-INSTALLATION CHECKS

1. Check you have the correct product. Please look at the labels on the side of the product packaging.
2. Check all the product components are in the box and the fixing kits.
3. Unpack your product and handle it with care.
4. Please check the product for defects or damage, once the installation has commenced we cannot accept responsibility for any defects or damage.
5. Please take time to read these instructions prior to installing your product.
6. Before you commence any drilling check there are no hidden electrical cables and/or water pipes.
7. No attempt should be made to re-work the toughened safety glass.
8. The installation of the product should be performed by two persons.
9. It is strongly recommended that the walls the product is going to be installed on are vertical.
10. It is strongly recommended the product is fitted on a tiled surface or similar waterproof surface.
11. It is strongly recommended the walls are tiled and grouted before the product is installed.
12. If the walls and/or the tray are not level you will not achieve maximum adjustment of the product.
13. Pictures used are for illustration purposes only, product designs may alter slightly as a result of continuing product development.
14. We do not stipulate where the European Standard Kite Mark should be positioned on the glass when being factory assembled.
15. Please note that some natural misting may occur when you remove this product from its packaging, due to the addition of the glass protection pre-coating. If this does occur this can easily be removed with a soft, dry cloth.

Component Check List: Supplied

Description	Quantity
Wall Profiles / Wall Profile Top Caps	2 of each
Wall Profile Covers	4
Hinge Panel Assembly / Plain Panel Assembly	1 of each
Door Glass	1
Bracing Assembly / Handle Assembly	1 of each
Hinge Assemblies	2
Door Joints (Left and Right Hand)	1 of each
Bottom Rails	3
Door Rail (Sloped)	1
Vertical Panel and Vertical Door Seal	1 of each
Door Bottom Seal	1

Equipment Check List: Not Supplied

Description
Electric / Battery Drill
Pozi Screwdriver
Sealant Gun / Sealant
Torque Wrench
Spirit Level (Large)
7mm Masonry Drill Bit
Tape Measure
Pencil

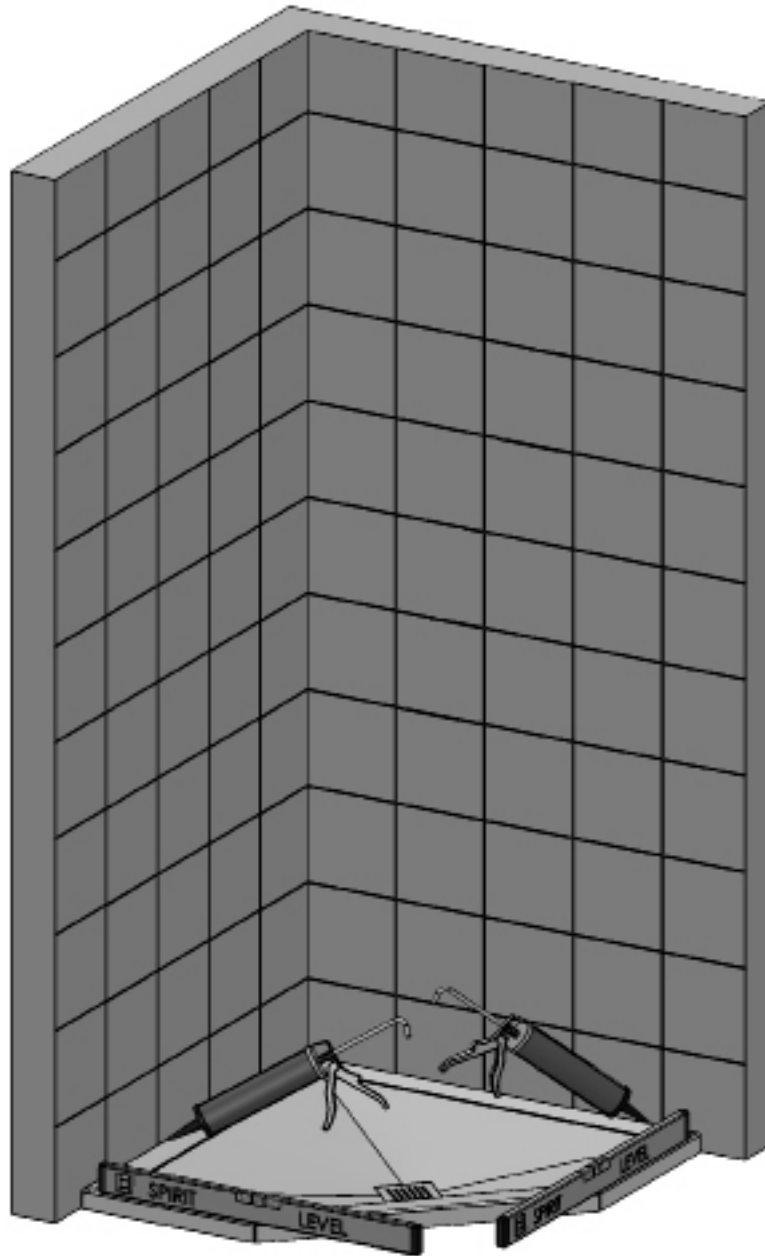
Fixing Kit Components

Description	Quantity	
	Door	Panels
2.5mm Drill Bit	-	1
9mm long Cap Head Screws	-	20
9mm long Csk Head Screws	-	4
40mm long Cap Head Screws	-	16
Wall Plugs (Brown)	-	16
Branding Clip	-	1
Door Setting Blocks	4	-
2.5mm Allen Key	1	-
3mm Allen Key	1	-
4mm Allen Key	1	-
Bottom Packers	8	-
Top Packers	4	-

CONSUMER GUARANTEE

Please make sure the purchaser/end user completes and returns the guarantee card which is enclosed with this product. Failure to validate the Guarantee will mean only the 1 Year Statutory Guarantee will apply.

Step 1 - Pre-Installation Checks and Aperture Sizes

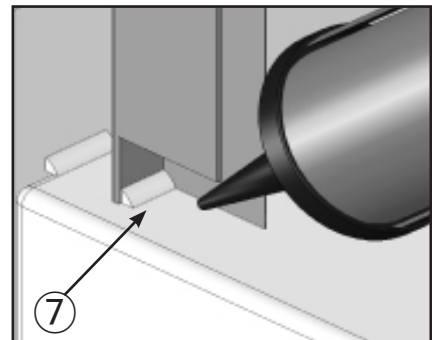
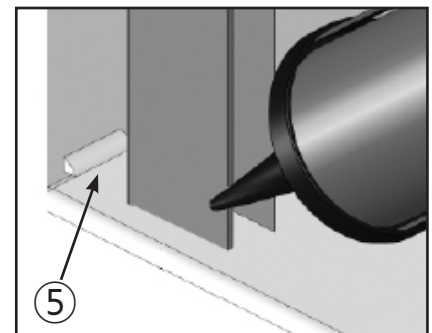
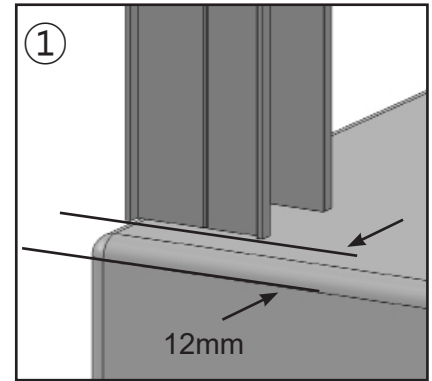
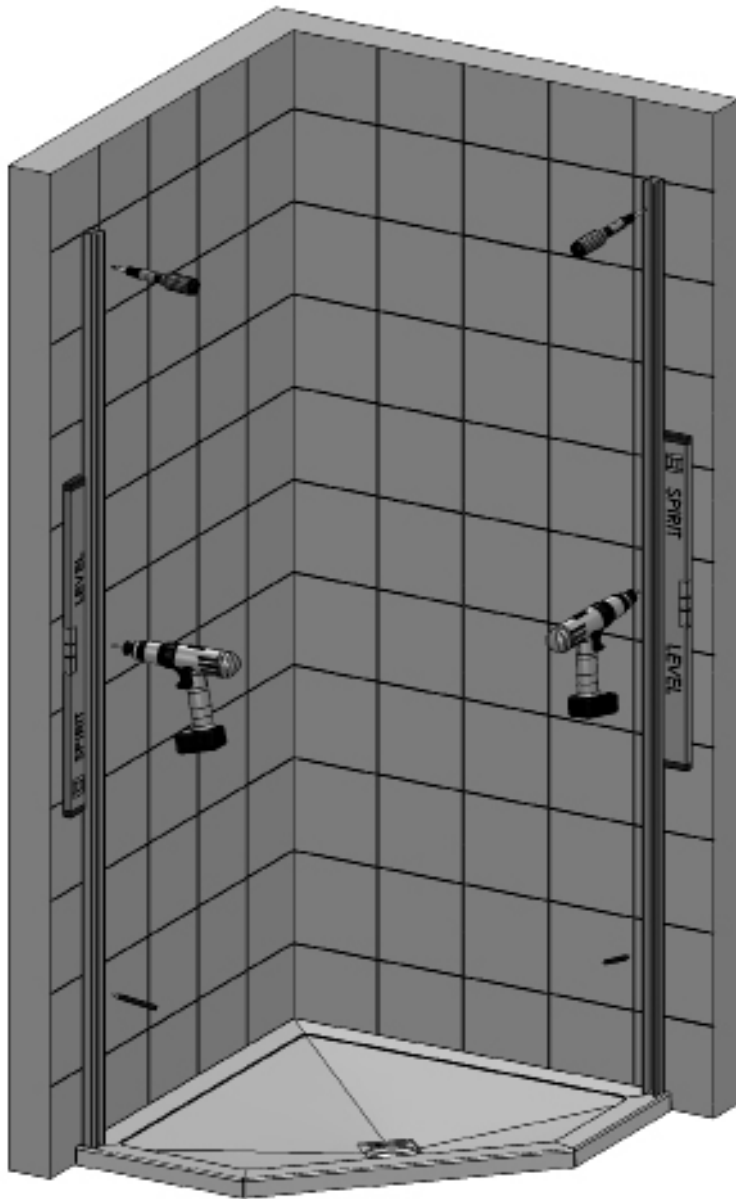


Panel Sizes	Minimum	Maximum
900 Panel	865	880
1200 Panel	1165	1180

IMPORTANT: The above are finished tiled sizes

1. Check the tray is level on all sides (the bubble on the spirit level must be in the centre of the 2 lines).
2. Stand in the tray and check that there is no adverse movement (correct if necessary).
3. The walls should be tiled and grouted up to the tray.
4. The tiles and the tray should be sealed using a good quality bathroom sealant.
 - **Spray the seal and joints with the shower head and check for leaks when the silicon has cured.**
 - **Check the plumbing for leaks.**
 - **DO NOT plasterboard over the tray.**
 - **DO NOT grout the tiles when the enclosure has been fitted, the grout may discolour the aluminium profiles.**
 - **Make sure the tray is installed as per the manufacturer's instructions.**
 - **When all of the above has been completed please proceed to the Step 2.**

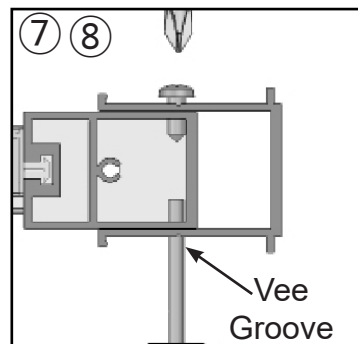
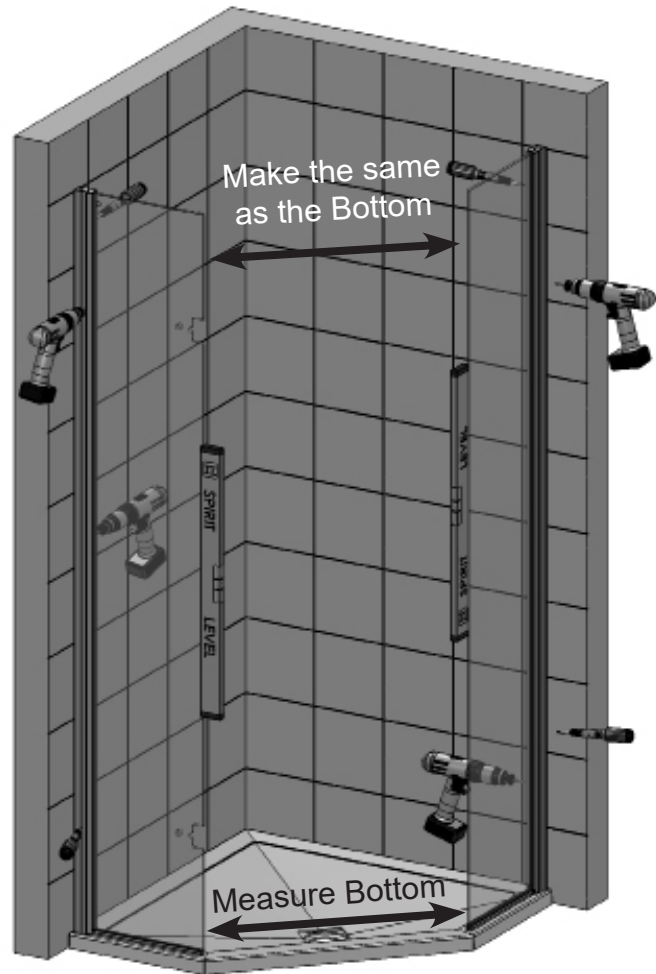
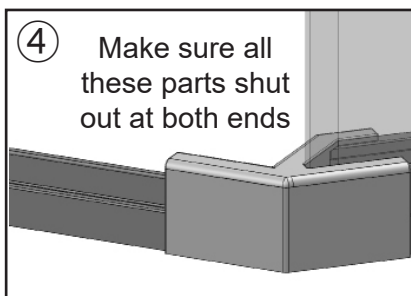
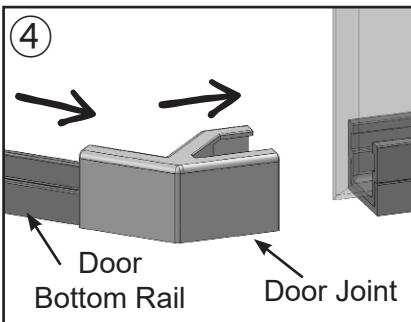
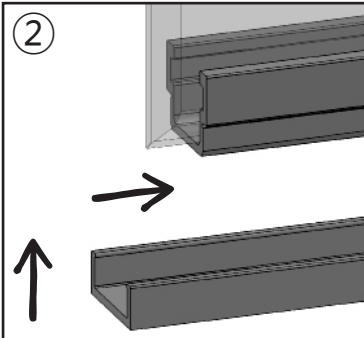
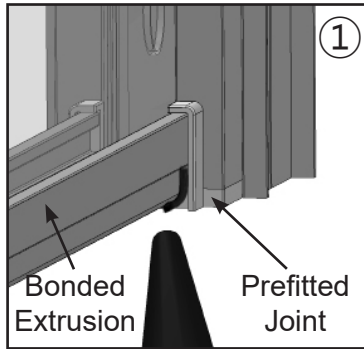
Step 2 - Wall Profiles



1. Take one of the Wall Profiles and position it 12mm in from the outside of the tray.
2. Ensure the Wall Profile is completely vertical using a Spirit Level then using a pencil mark the wall through the slots.
 - **Make certain the wall profile is completely vertical using a Spirit Level (the bubble should be in the centre of the two lines).**
3. Follow the same procedures for the other Wall Profile.
4. Drill the walls using a 7mm Masonry Drill Bit (not supplied) and fit the Wall Plugs.
5. Remove any debris and apply a bead of sealant the width of the Wall Profiles where they meet the top of the tray / wetroom floor and the tiled walls.
6. Screw fix both Wall Profiles to the walls using the 40mm Cap Head screws (supplied) ensuring they are kept completely vertical and are 12mm in from the outside of the tray.
7. Apply a bead of sealant to the inside of the Wall Profiles at the bottom where they meet the top of the tray / wetroom floor.
 - **IMPORTANT: Failure to comply with stages 5 and 7 may cause serious water damage and is not covered under the terms of the guarantee.**

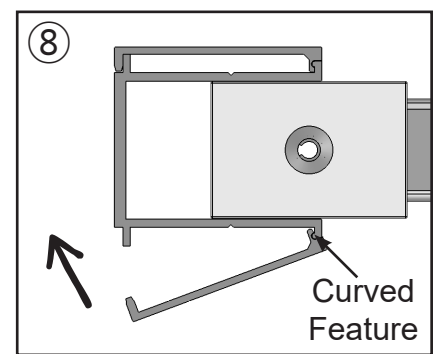
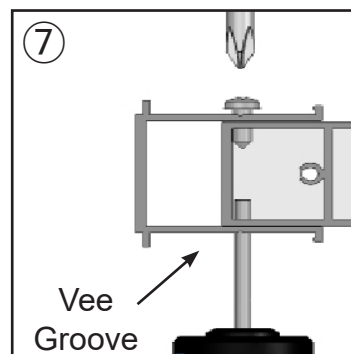
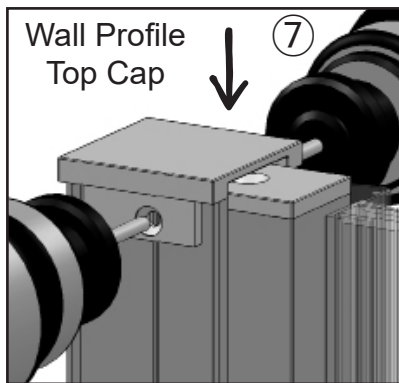
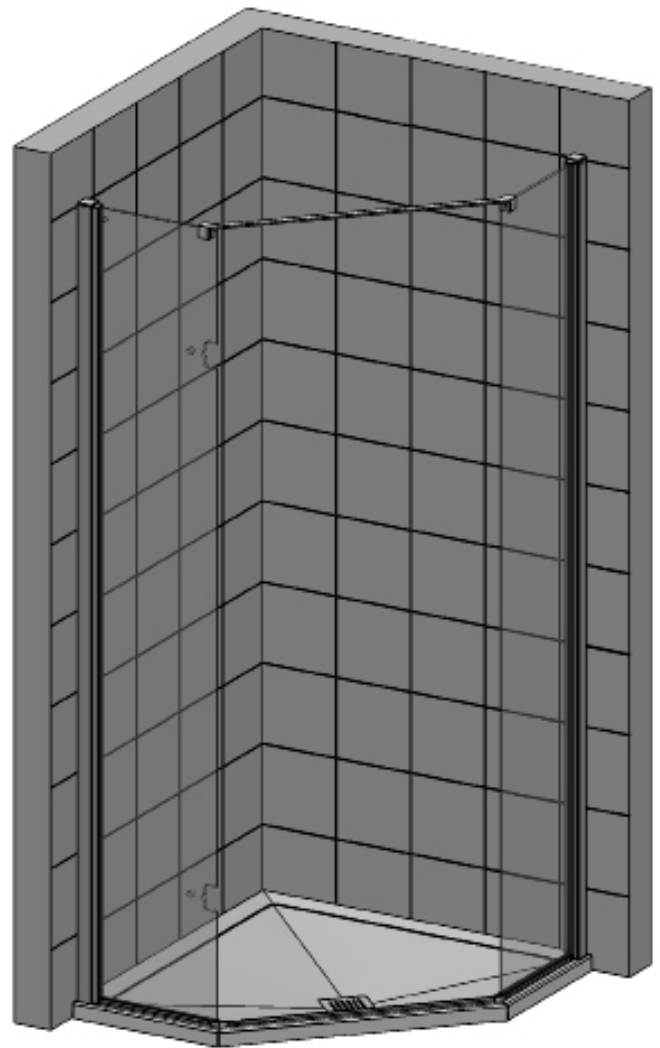
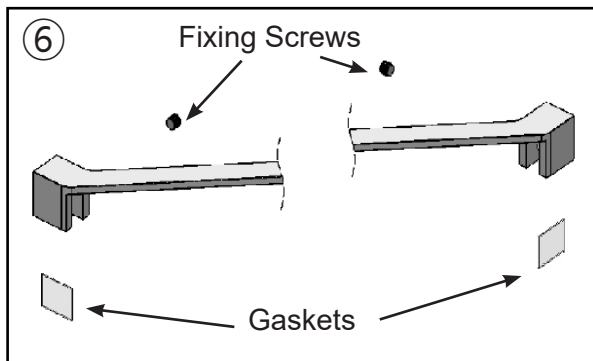
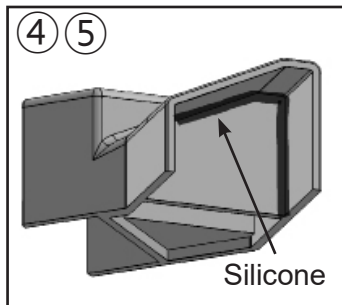
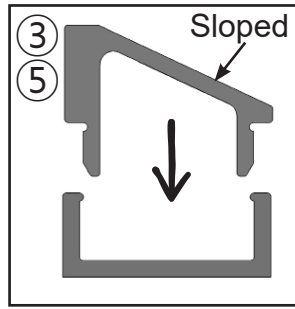
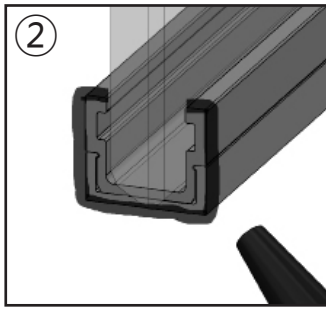
Step 3 - Fitting the Panels

Note: Two people will be required to do the following operations.



1. On both Panel Assemblies where the already Bonded Extrusion meets the prefitted Bottom Rail Panel Joint place a small bead of silicon on the underside all the way around.
 - **NOTE: Carefully remove excess silicon if required.**
2. Slide the Panel Bottom Rails over the already Bonded Extrusions and push into the siliconed prefitted joint.
3. Carefully lift the Panels into their Wall Profiles.
4. Take the Door Bottom Rail (671mm long) and place the Door Joints at each end (no silicone). Place these parts between both pieces of Panel Glass and bring the Panels together until everything shuts out.
5. Move the Panel Assemblies, Door Bottom Rail and Door Joints until all is equally spaced on the tray.
6. With a Spirit Level ensure that the Panels are vertical and that the distance between the Glass at the top is the same as it is at the bottom.
 - **Cut a piece of wood the length of the gap at the bottom, use at the top as an aid to keep the gap parallel.**
7. Drill through the grooves in both the Wall Profiles using the 2.5mm drill bit (supplied). On both inside and outside drill two holes approximately 50mm from each end, now drill a hole in the centre of those (3 holes), now drill two further holes between them (5 holes).
 - **IMPORTANT: This is drilled and fixed inside and outside, 5 fixings per side (10 in total per Wall Profile).**
8. Fasten together using the 9mm Cap Head Screws (supplied).

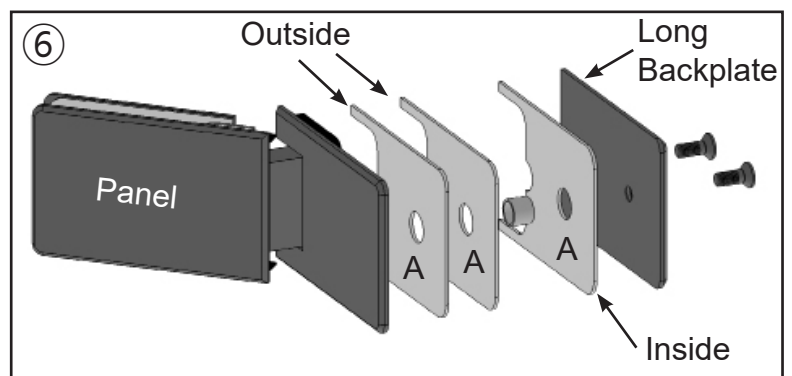
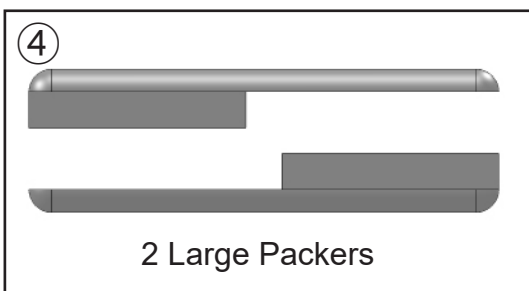
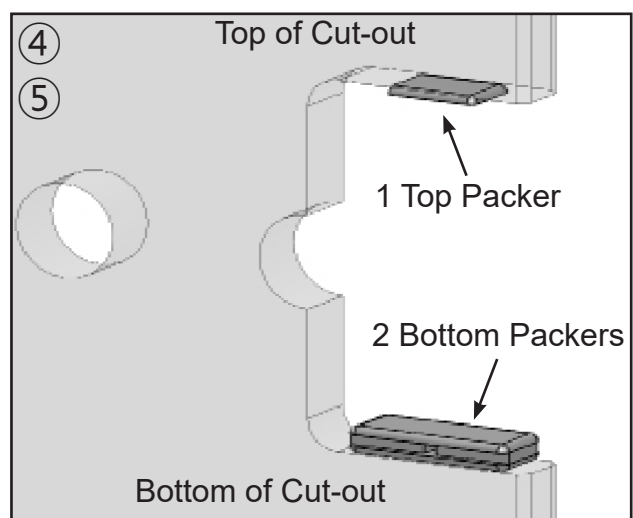
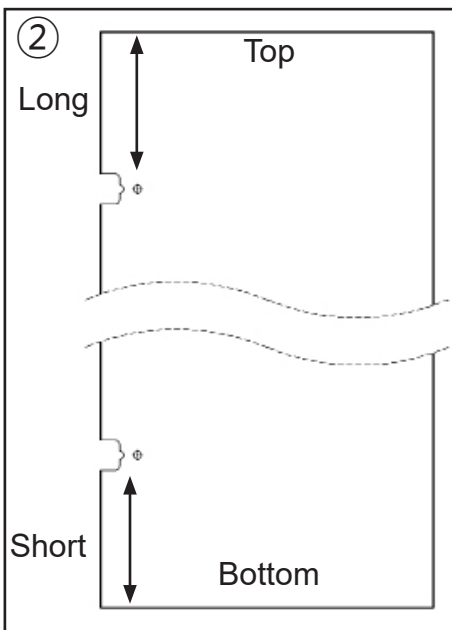
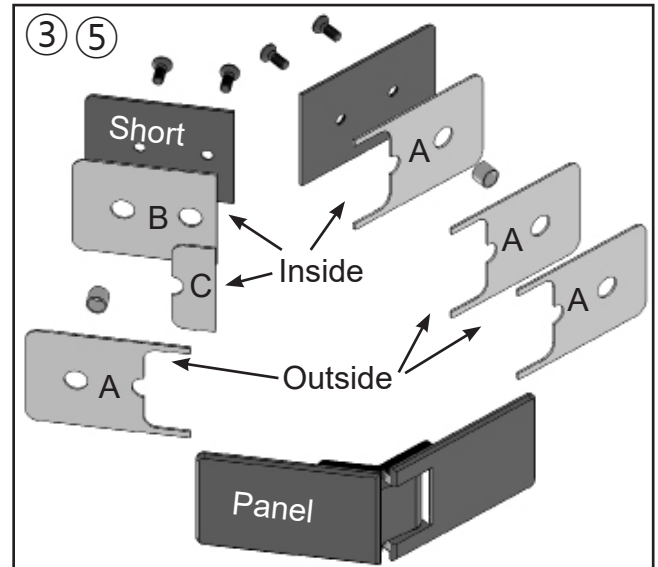
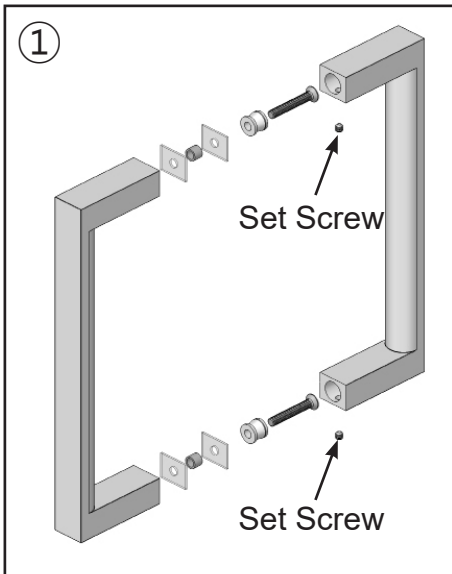
Step 4 - Bracing, Top Caps, Covers and Bottom Rail.



1. Remove the previously placed Door Bottom Rail and Door joints from between the Panel Glass.
2. Add a bead of silicone at each end of the extrusions at the bottom of the Panels.
3. Insert the Door Rail (Sloped) into the Door Bottom Rail ensuring that they are fully together.
4. Add a bead of silicone to the inside edges of both Door Joints all the way around under the sloped area.
5. Place the Door Rail (Sloped) and Door Bottom Rail between the Glass Panels ensuring that the slope faces inward towards the shower. Fit the Door Joints over the ends of the now placed rails and onto the end of the Panels. Make sure that it all closes out, remove any excess silicone as necessary.
6. Remove the Bracing Assembly from it's packaging, loosen the fixing screws and fit to the tops of the Panel Assemblies equally. Ensure the gap between the Panels at the top is the same as the bottom then fully tighten the Bracing onto the glass (make sure the gaskets are placed between the Bracing and the Glass).
7. Fit the Wall Profile Top Caps onto the Wall Profiles, hold in place and drill through the holes on both sides using the 2.5mm drill bit (supplied). Secure the Caps using the 9mm long Csk Head Screws (supplied).
8. Fit the Wall Profile Covers onto the Wall Profiles by locating the small curved feature onto the Wall Profile, hold in place and push until they are between the Wall Profiles and tiled Walls.

Step 5 - Fitting the Door

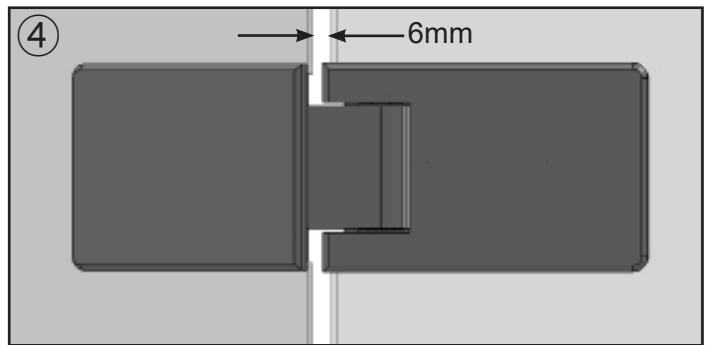
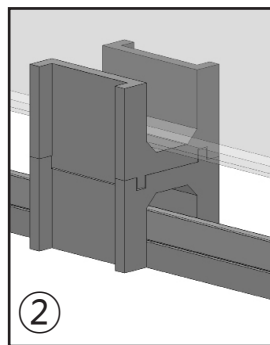
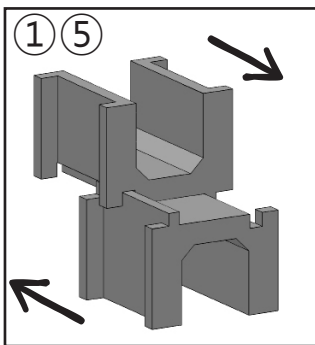
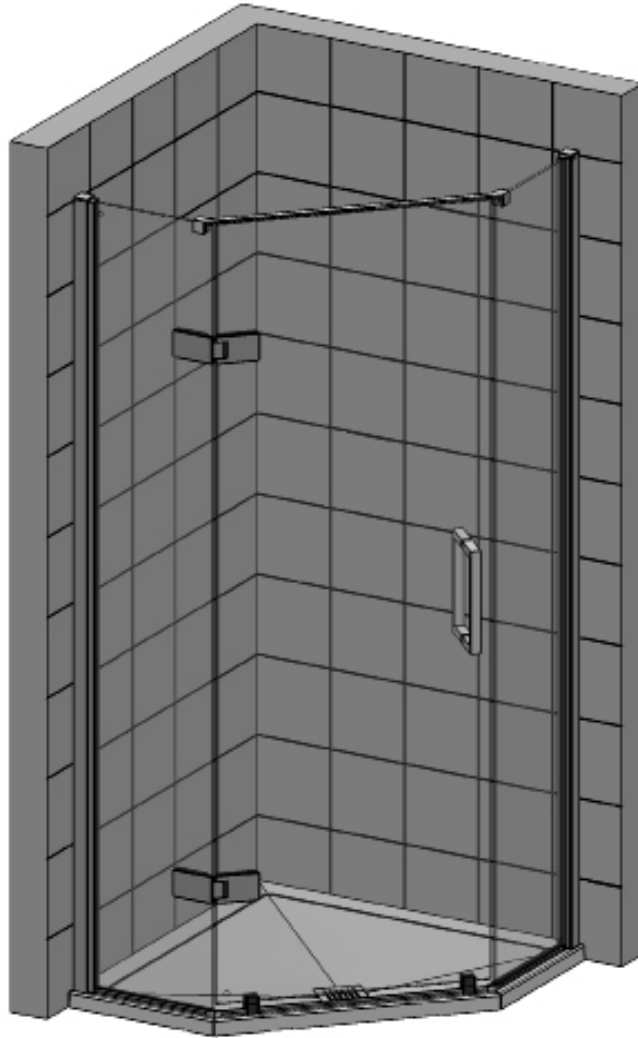
IMPORTANT: Take note how the hinge is assembled and what goes where i.e. Short backplate on the Panel side, gasket "C" and "B" on the inside of the glass. Likewise one of the "A" gaskets on the inside of the Door.



- Remove the Handle Assembly from its packaging and reassemble onto the Door Glass, ensure that the set screws are fitted on the inside of the Door and all gaskets are used between the glass and metal parts.
- Ensure that you have the Door Glass the correct way round.
- Unpack the Hinge Assemblies and remove the backplates and gaskets from each.
- Prior to fitting the Hinge Assemblies ensure that 2 Bottom Packers are placed between the Hinge and the bottom of the glass cut-out and 1 Top Packer is placed between the Hinge and the top glass cut-out.
- Reassemble the Hinge Assemblies onto the Hinge Panel Glass ensuring the gaskets are fitted as shown and the Packers are in place. Keep the Hinges horizontal and tighten the screws with a torque wrench.
 - IMPORTANT: The screws must be tightened to 10 N/m max.**
- Fully open the Hinge Assemblies ready for fitting the Door Glass.

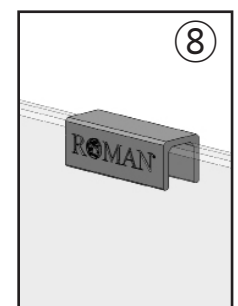
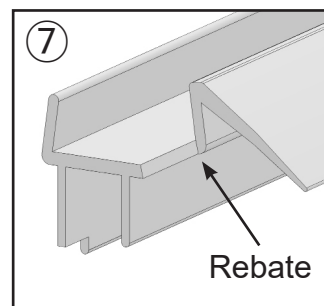
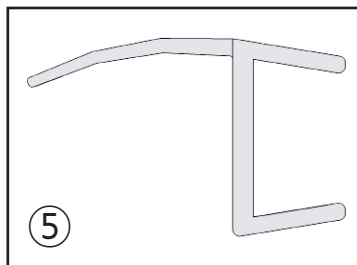
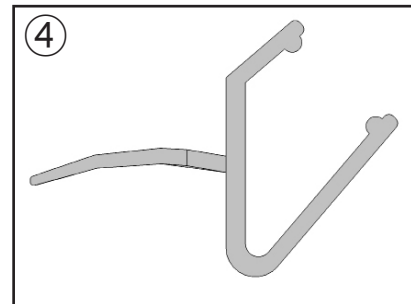
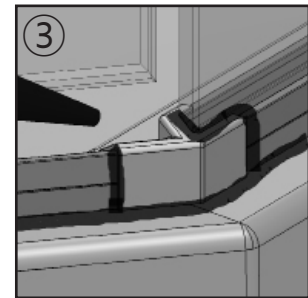
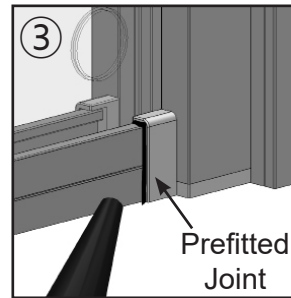
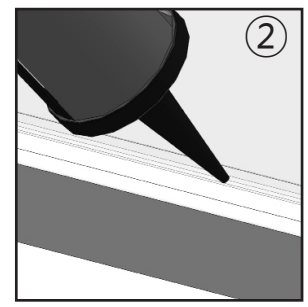
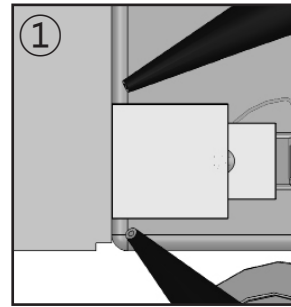
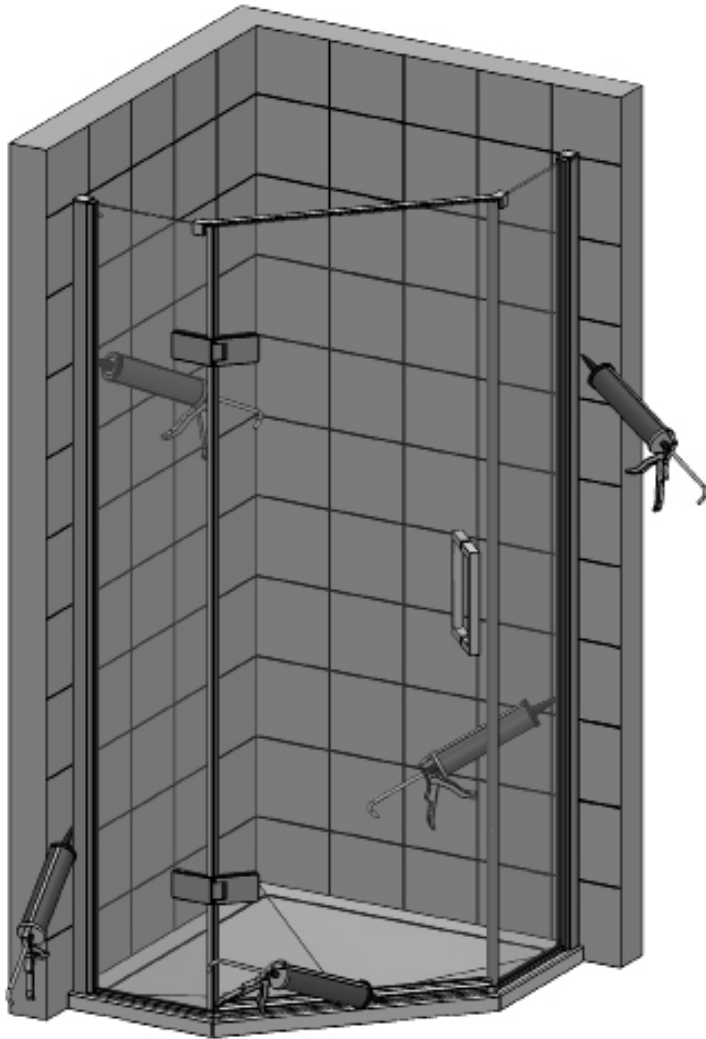
Step 5a - Fitting the Door (Cont...)

Note: Two people will be required to do the following operations.



1. Take the Red Door Setting Blocks and slide two together creating an assembly, do the same with the other two. Fit them over the Bottom Rails at each end between the Panel Glass.
2. Carefully lift the Door Glass onto the Red Door Setting Blocks using the Handle for support.
 - **NOTE: One person will be required to be on the inside of the enclosure.**
3. Follow procedure 4 of Step 5 for fitting the packers to the glass cut-outs.
4. Carefully close the Hinge Assemblies onto the Door Glass, ensuring the gaskets and Backplate is fitted as shown in Step 5. Line up the Hinges with the cut-outs in the Door Glass.
5. The gap between the Hinge Panel and Door Glass should be set at approximately 6mm. Fully tighten the screws.
 - **IMPORTANT: Tighten the screws to 10 N/m max.**
6. Slide the Red Door Setting Blocks apart and allow to fall then remove from the Bottom Rails.
 - **NOTE: Because of the weight of the Door Glass you may need to gently tap apart using a piece of wood or similar. Be careful not to damage the Glass or the Bottom Rails.**

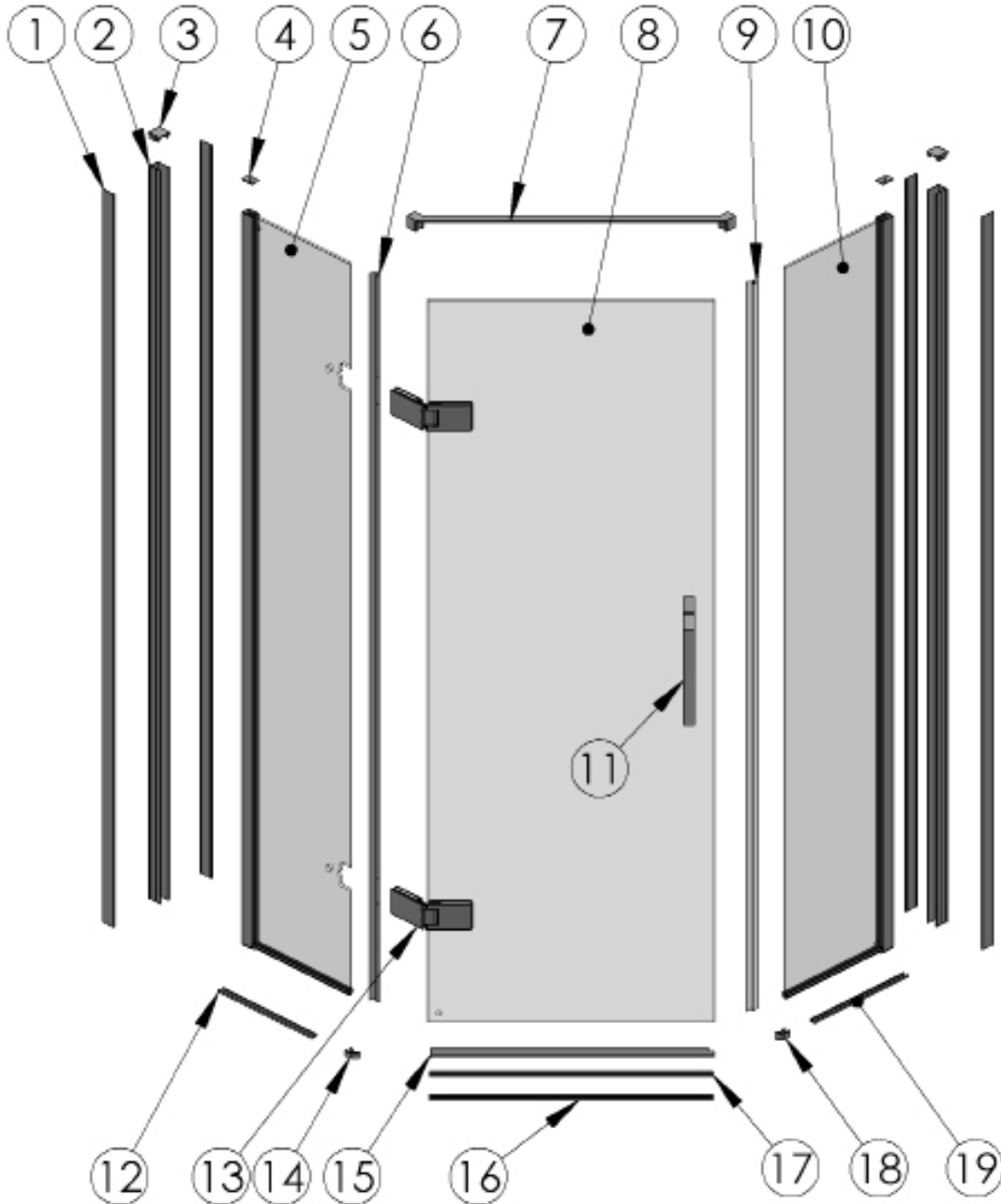
Step 6 - Sealing and Seals



1. Seal all the Wall Profile Covers to the tiled wall vertically both inside and outside.
 - **IMPORTANT: Ensure that the Covers are placed between the Wall Profiles and Tiled Walls.**
2. Seal the outside of the Enclosure fully horizontally from wall to wall on the outside only.
 - **IMPORTANT: Do not seal on the inside as this may cause serious water damage and is not covered under the terms of the guarantee.**
3. On the prefitted Bottom Rail Panel Joints and Door Joints carefully add a small bead of silicone to the gaps between them and the Bottom Rails, add a bead of silicone to the top of the Door Joints and Panel Glass.
4. Fit the Vertical Panel Seal to the edge of the Plain Panel Glass and down onto the Door Joint, trim the top.
5. Fit the Vertical Door Seal onto the edge of the Door Glass at the hinge side making sure the cut outs fit around the hinges. Carefully trim the bottom so it is level with the top of the Door Joint.
6. Take a measurement from the Hinged Panel Glass to the end of the Door (at the Handle Side).
7. Take note that the Bottom Seal is rebated at each end, the end that will go at the Hinged Panel side is the end to cut. Cut the Bottom Seal to the length taken previously and fully fit the Seal onto the bottom of the Door ensuring that it butts up to the Hinged Panel glass.
 - **IMPORTANT: ENSURE the Deflector on the Bottom Seal is facing inwards towards the shower.**
8. Fit the Branding Clip to the top of one of the Panels with a small amount of silicone.
 - **IMPORTANT: Failure to follow stages 1,2 and 3 may result in serious water damage and is not covered under the terms of the guarantee.**
 - **Please allow 24 hours for the sealant to fully cure before using the enclosure.**

Spare Parts

If you need to replace any damaged parts please see illustration below for parts list then call Customer Relations on 01325 328033



IMPORTANT: If ordering parts please state if you have a 900x900 or 1200x900 product. You must also state whether your product is left or right handed.

Part No.	Description	Qty	Part No.	Description	Qty	Part No.	Description	Qty
1	Wall Profiles Covers	4	11	Handle Assembly	1	21		
2	Wall Profiles	2	12	Panel Bottom Rail	1	22		
3	Wall Profile Top Caps	2	13	Hinge Assemblies	2	23		
4	Panel Top Caps	2	14	Door Joint (Left Hand)	1	24		
5	Hinged Panel Assembly	1	15	Bottom Seal	1	25		
6	Vertical Door Seal	1	16	Door Bottom Rail	1			
7	Bracing Assembly	1	17	Door Rail (Sloped)	1			
8	Door Glass	1	18	Door Joint (Right Hand)	1			
9	Vertical Panel Seal	1	19	Panel Bottom Rail	1			
10	Plain Panel Assembly	1	20					

TROUBLE SHOOTING GUIDE

Problem	Solution
Leaking	<ol style="list-style-type: none">1. Check that the inside gap between the Tray and Wall profiles has been sealed correctly.2. Ensure the tray is sealed along the tiled walls prior to installation.3. If the inside joint between the enclosure and the tray top is sealed, this will cause leakage - sealant must be removed.4. Ensure the wall profiles on the tiled walls are sealed both vertically inside and outside.5. Ensure the joint between the enclosure and tray top is sealed. <p>Important: This enclosure should be water tested conforming to BS EN 14428</p>
Enclosure Alignment on the Tray	<ol style="list-style-type: none">1. Is the enclosure fitted onto a tiled wall?2. Are the Wall Profiles fitted 12mm from the front outside edge of the tray?3. Are the wall profiles completely vertical?
Door not operating correctly	<ol style="list-style-type: none">1. Ensure both wall profiles are completely vertical.2. Check the Screws are tightened to 10 N/m max.3. Ensure the tray is completely level.4. Check the bottom of the door is parallel to the top of the tray.
Door Alignment	<ol style="list-style-type: none">1. Ensure both wall profiles are completely vertical.2. Ensure the tray is completely level.3. Check the bottom of the door is parallel to the top of the tray.
Panel Alignment	<ol style="list-style-type: none">1. Check the Wall Profile are 12mm in from the front of the tray.2. Ensure the tray is completely level.3. Check the Bracing is fitted correctly and is fully tightened.

Some important information to help you Maintain your product.

The following information is all you need to keep your product looking new.

Clean your product using a mild detergent diluted in water and then polished off using a soft cloth.

If you live in a hard water area, periodically clean your product using a 50/50 solution of white vinegar and water. The solution should be left on the enclosure for approximately 5 minutes then rinsed off using warm water. This method of cleaning should remove lime scale residue.

Simple Maintenance

Our products are generally maintenance free, however it may be necessary to lubricate wheel assemblies and other moving parts from time to time.

It is strongly recommended that a quality silicone spray is used.

A list of Don't's:

1. Don't use acidic based products which are unsuitable for cleaning enamel surfaces.
2. Don't use abrasive cleaners or cleaners using bleach or solvents, these products will adversely affect the finish of the aluminium profiles.
3. Don't use scouring pads, powder or any sharp instruments when cleaning the enclosure.

Should you experience any problems during installation please refer to the Trouble Shooting Guide or contact Customer Relations on:

+44 (0) 1325 328033

To enable customer relations to provide you with an excellent level of service it is important that you quote your product Code and Reference Number - these can be found on the Guarantee card.