

# Concept Air Arc 50cm Washbasin

## ILLUSTRATED

- E1387** Concept Air Arc 50cm washbasin, 1 taphole with overflow
- E0772** Concept Air semi pedestal
- E0157** Wall fixing set
- A6592** Tesi single lever basin mixer with pop-up waste and 5lpm eco flow regulator
- S8910** Trap 1¼" plastic bottle, 75mm seal, multi-purpose outlet

## OPTIONS

- E0781** Concept Air pedestal
- B9915** Concept Blue washbasin mixer 1 hole with pop-up waste

## ILLUSTRATED PRODUCT DETAILS

### Weights

- E1387** 11.50 KG
- E0772** 6.30 KG
- E0157** 0.16 KG
- A6592** 1.71 KG
- S8910** 0.20 KG

### Materials

- E1387** Fine Fireclay
- E0772** Fine Fireclay
- E0157** Metal
- A6592** Chrome Plated Metal
- S8910** Plastic

### Finishes

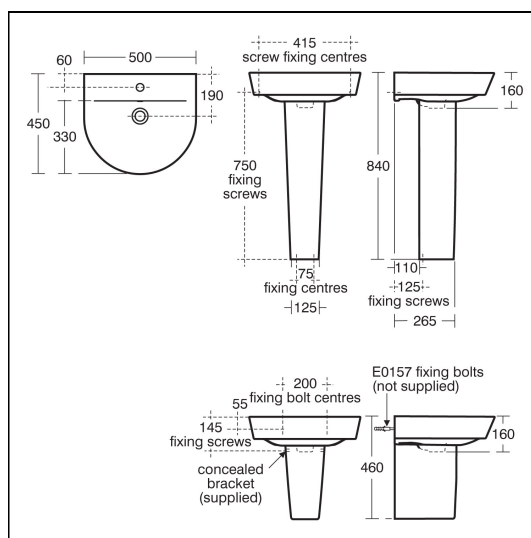
- E1387**  White (01)
- E0772**  White (01)
- E0157**  Neutral / No Finish (67)
- A6592**  Chrome (AA)
- S8910**  Neutral / No Finish (67)

### Flow rates

- A6592** 5 Litres per minute @ 3 bar pressure

### Designer

Robin Levien, RDI



### Standards

Washbasin to BS EN 14688 and BS EN 31

### Special Notes

Washbasin mounted using E0157 wall fixing set, with semi pedestal with fixings provided or full pedestal mounted using 2 screws through the back of the basin (not supplied).