

Usage and Maintenance Manual

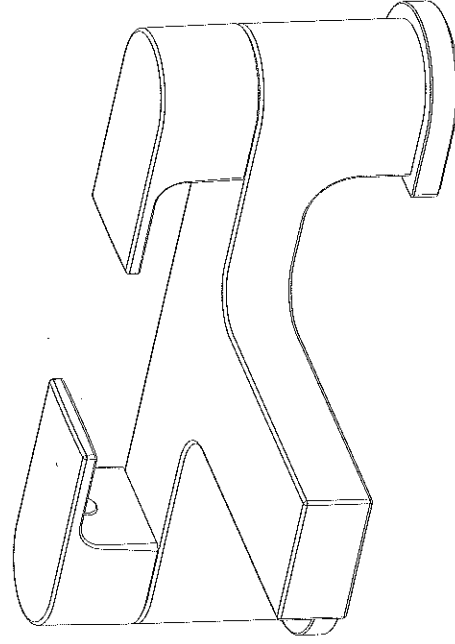
Installation Instruction Usage and Maintenance Manual

Product Information

- A. This product is manufactured by high quality brass and electro plated to a high standard to offer years of trouble free usage.
- B. Operating temperature: 5 - 85 °C
- C. Operating water pressure: 0.2 - 5 bar (0.02 - 0.5 MPa)

Operation of product

- A. Right handle for cold water outlet, and left handle for hot water outlet.
Rotate right handle anticlockwise to open and clockwise to stop;
Rotate left handle clockwise to open and anticlockwise to stop.
- B. Water flow rate and water temperature can be controlled by turning handles.



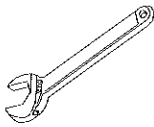
Product Care

We recommend keeping your product in optimal condition. Please clean it regularly using warm soapy water and then dry with a soft cloth to return it to its original luster.

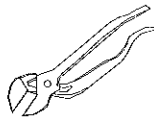
Do not clean with harsh or abrasive cleaning materials, as this could damage the product.

Please read this instruction carefully to avoid any difficulty during installing

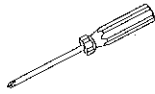
Tools required



Adjustable Wrench



Groove joint plier

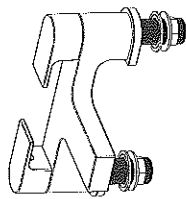


Screw driver



Pipe tape

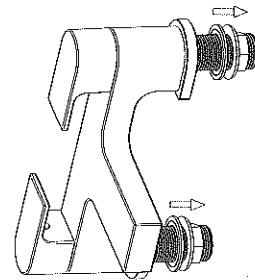
Parts supplied



x1

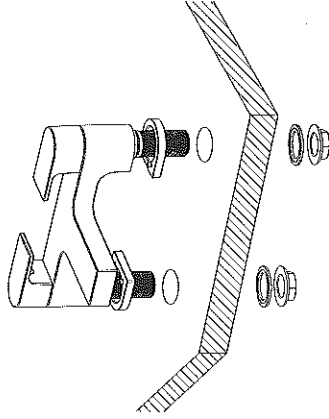
Installation illustration

Step 1#



Unscrew the nuts and washers from mixer tails

Step 2#



Position the mixer on the bath with the base rings seat at its base and tails through the hole.
Slide the washers over the tails and secure screwing the nut finger tight.