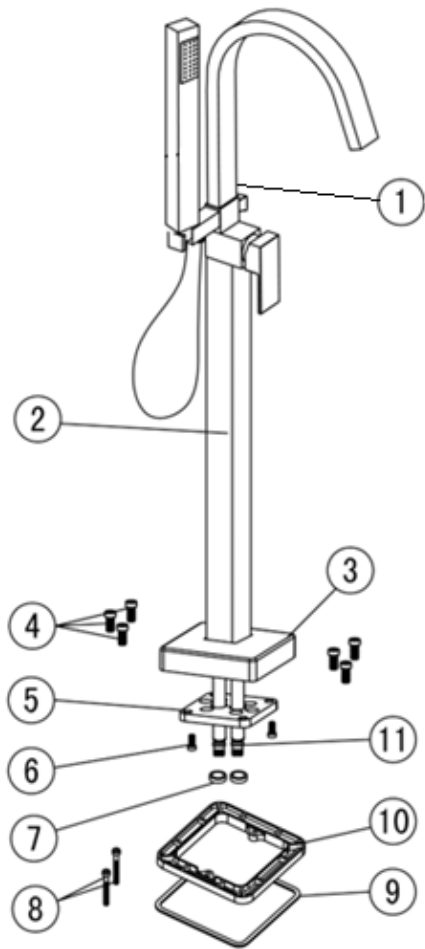
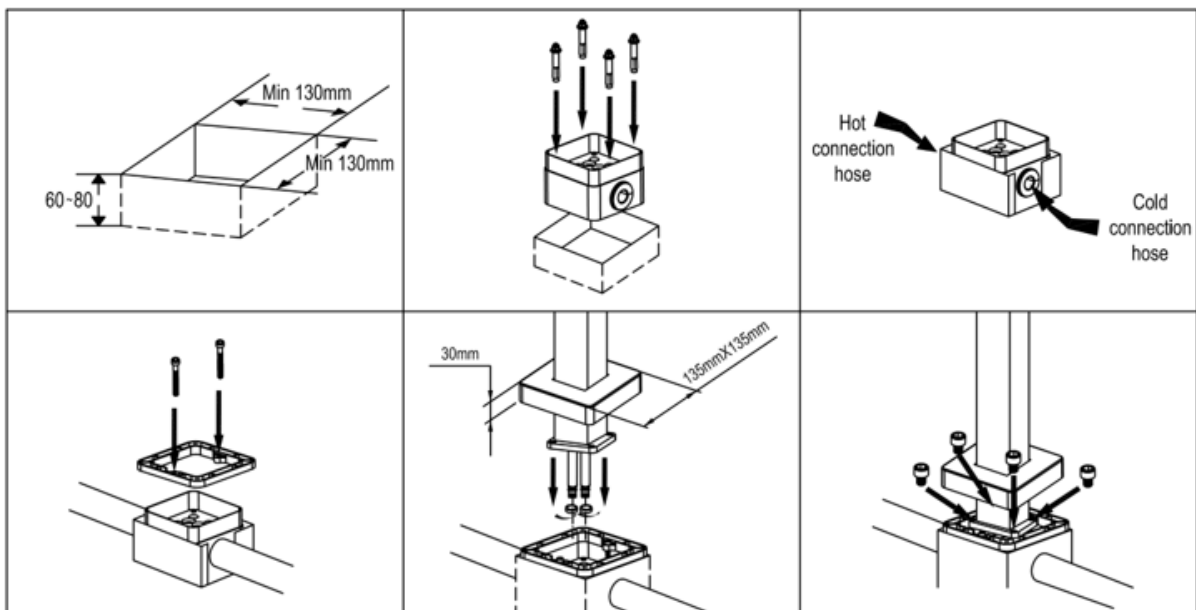


INSTALLATION INSTRUCTION

SINGLE LEVER FREESTANDING BATH-SHOWER MIXER



Code	The Accessory List	Quantity
1	Spout	1
2	Main body	1
3	Cover	1
4	Screw	6
5	Plate	1
6	Screw	2
7	Nut	2
8	Screw	2
9	Washer	1
10	Sealing plate	1
11	Inlet pipe	1
12	Screw	4
13	Screw key	1
14	Control Box	1



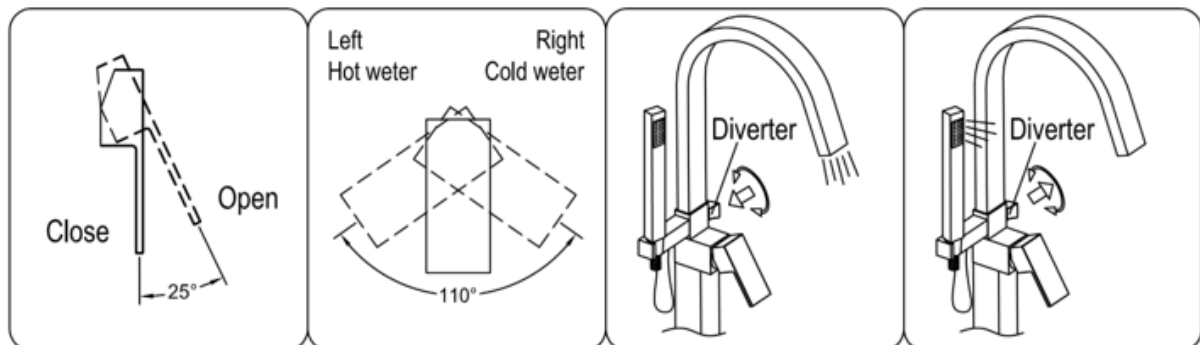
INSTALLATION INSTRUCTION

SINGLE LEVER FREESTANDING BATH-SHOWER MIXER

1. Locate and secure the control box (Item 14) to the floor or prepared hole using the screws provided (Item 12, supplied for fixing to concrete). If fixing to a wooden floor please source appropriate alternatives.
2. Connect to appropriate domestic water supplies and ensure the pipework is thoroughly flushed to remove any debris before connecting to the fitting.
3. Flooring can then be placed leaving enough room to fit the main body.
4. Place the sealing plate (Item 10) over the flooring and screw to the control box with the screws (Item 8) to prevent any water from leaking into the control box from the floor.
5. Screw the two flexible hoses into the spout (Item 1) of the tap.
6. Locate the square chrome cover (Item 3) over the main body (Item 2) being careful not to scratch the chrome.
7. Remove the two brass nuts (Item 7) and keep to one side, place the flexible hoses through the main body and through the holes at the bottom and secure with the brass nuts removed earlier.
8. Tighten the two grub screws on the main body with the allen key provided.
9. Remove the plastic cover plate from the control box with the allen key provided.
10. Place the main body on to the control box by pushing the flexi hoses through the correct hot and cold outlets and secure in place with the screws (Item 4) and allen key provided.
11. Slide the chrome cover down to the bottom of the main body to cover the hole.
12. Attach the shower head holder and screw down with the allen key provided.
13. Attach the shower hose and shower head.

NOTES:

The control box can be cut down to fit to the height of the flooring.



※Cleaning & Maintenance

☆ To keep the product clean & shining, follow the as below:

1. Flush with clean water & dry with soft cloth only;
2. If any dirt, clean with soft liquid or transparent glass detergent;
3. Do not use any scrubbing detergent, polisher, sane-cloth, paper tissue or scraper;
4. Do not use acid detergent, indissolvable grain-like detergent or soap.

