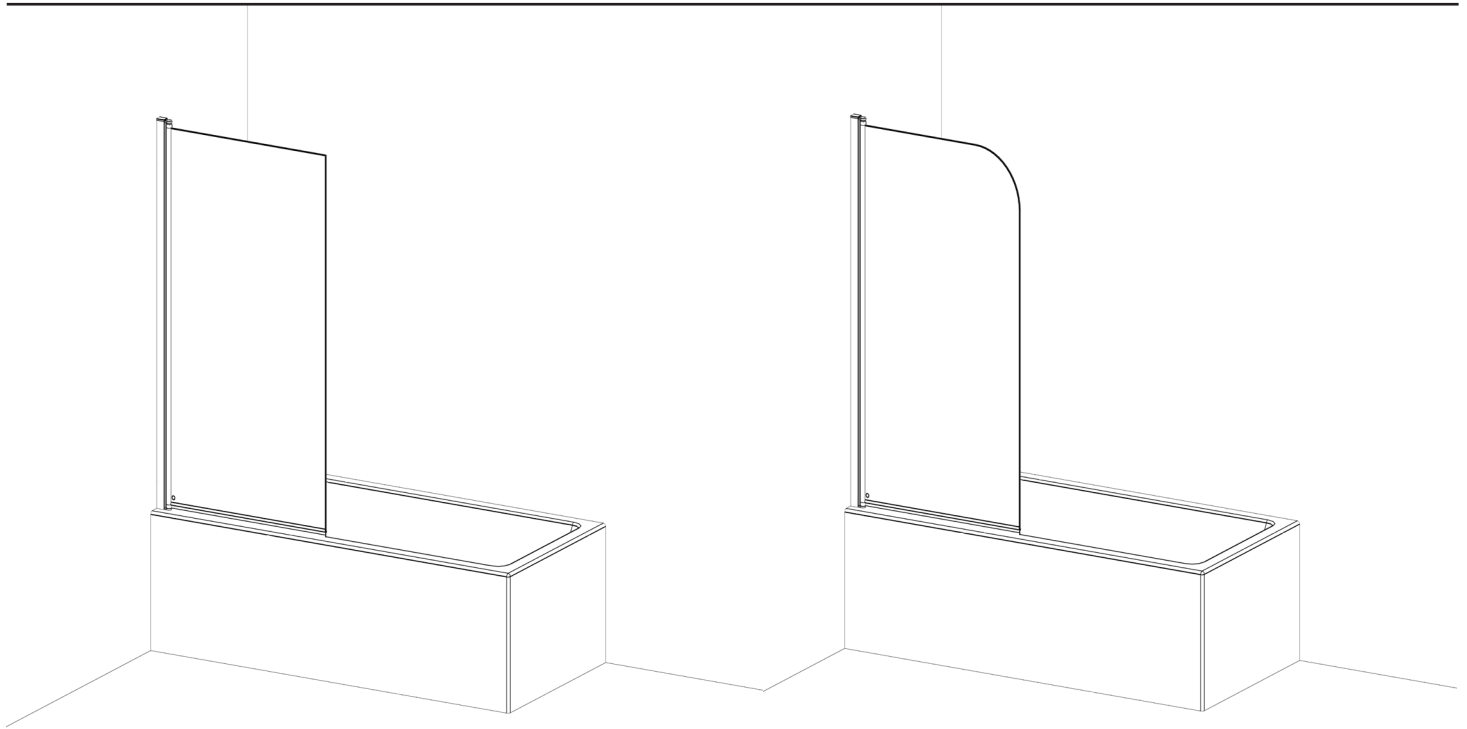


# Standard Pivoting Bath Screen Square/Curved



## Handling

Be aware toughened glass can shatter if not handled correctly. It should not be subjected to any sharp impact and it is essential to protect the glass by resting it on a soft protective surface during installation such as cardboard or carpeting. It is recommended to wear PPE at all times during installation.



## Pre-Installation Checks

1. Please take time to read these instructions prior to installing your product, including the 'Pre Installation Checks' on Page 1.
2. Check you have the correct product, by looking at the labels on the side of the product packaging.
3. Check all the product components and fixing kits are in the box - [these are listed on the next page](#).
4. Please check the product for defects or damage, once the installation has commenced we cannot accept responsibility for any defects or damage.
5. Before you commence any drilling check there are no hidden electrical cables and/or water pipes.
6. No attempt should be made to re-work the toughened safety glass.
7. The installation of the product should be performed by two persons.
8. It is strongly recommended the product is fitted on a tiled surface or similar waterproof surface - which are tiled and grouted before product is installed.
9. It is strongly recommended that the walls the product is going to be installed on are vertical, and the floor/ Bath is level.
10. Please note that some natural misting may occur when you remove this product from its packaging, due to the addition of the glass protection pre-coating. If this does occur this can easily be removed with a soft, dry cloth.

It is important to note that the glass must not be mounted or 'pinched' in such a way that would cause a stress point to develop in the glass. In addition, it must not be subject to any sharp impact or severe temperature fluctuation which may also cause a stress point to develop in the glass.

Toughened glass is physically and thermally significantly stronger than standard glass. During the toughening process the stresses contained

Within any glass are balanced so if in the unlikely event situation any of the above occurs and the glass breaks, the glass will shatter safely into small thumbnail sized blunt fragments.

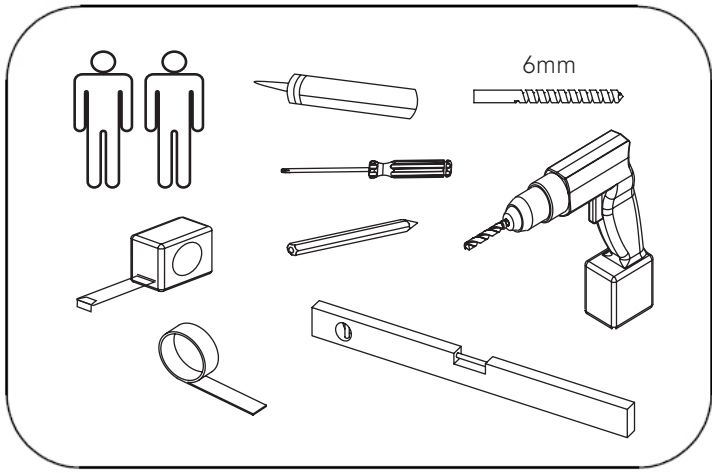
This product is NOT recommended for use with pumped or pressurised systems.

## Consumer Guarantee

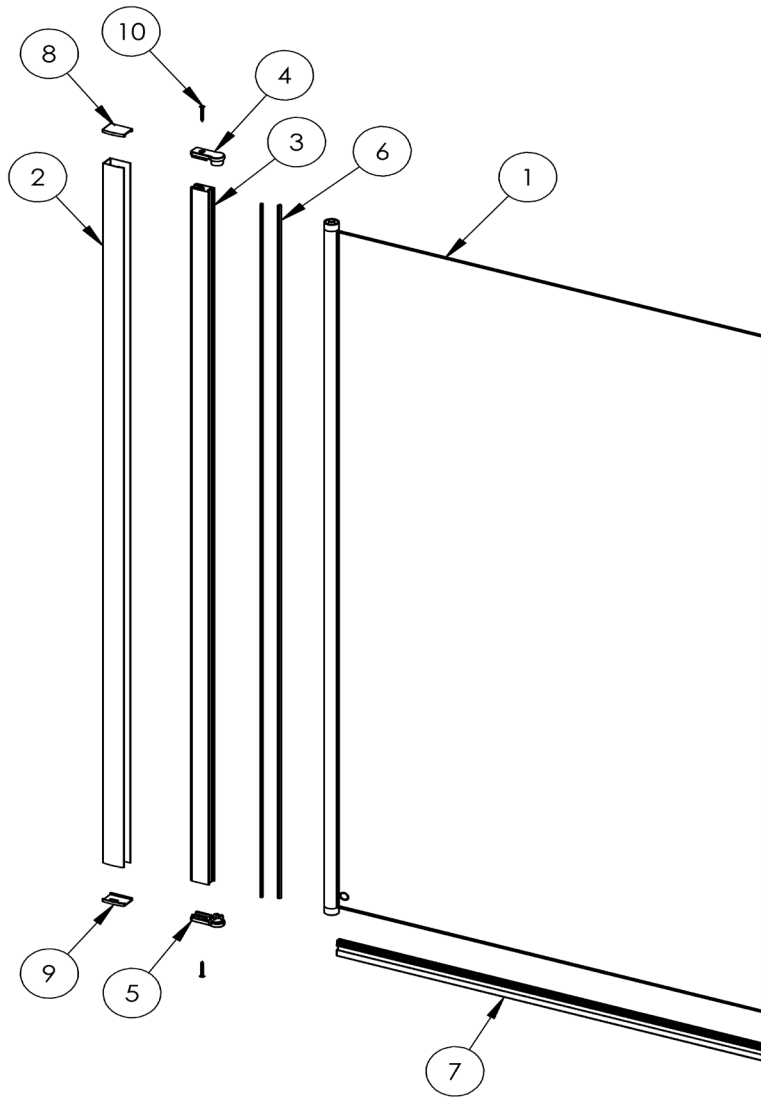
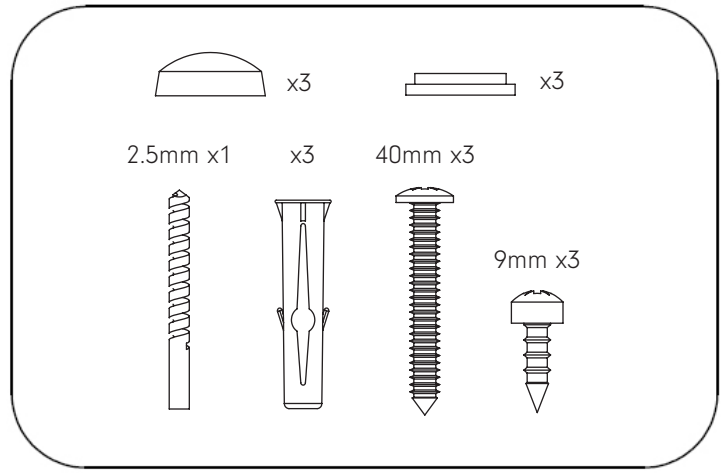
Please make sure the purchaser/end user completes and returns the guarantee card which is enclosed with this product. Failure to validate the Guarantee will mean only the 1 Year Statutory Guarantee will apply.



### Equipment Checklist: Not Supplied

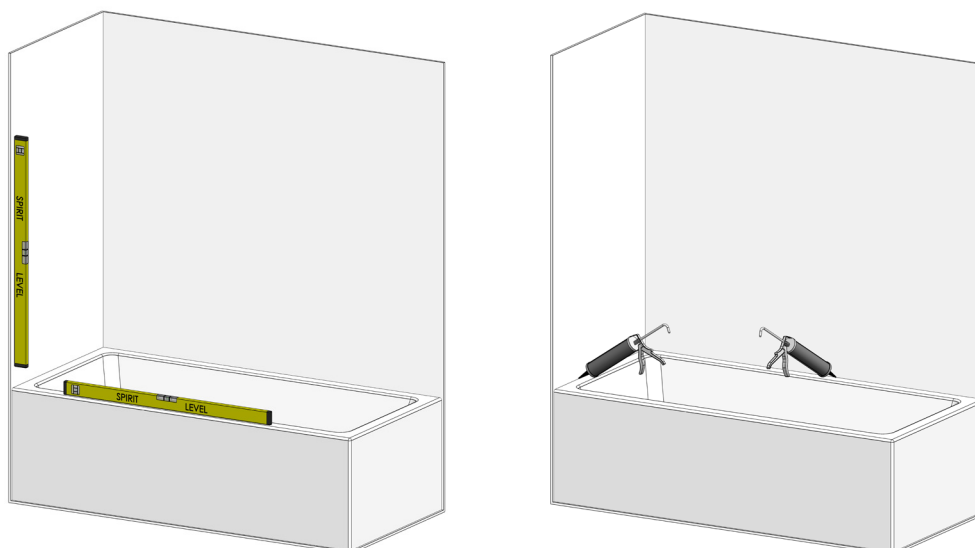


### Fixing Kit Components



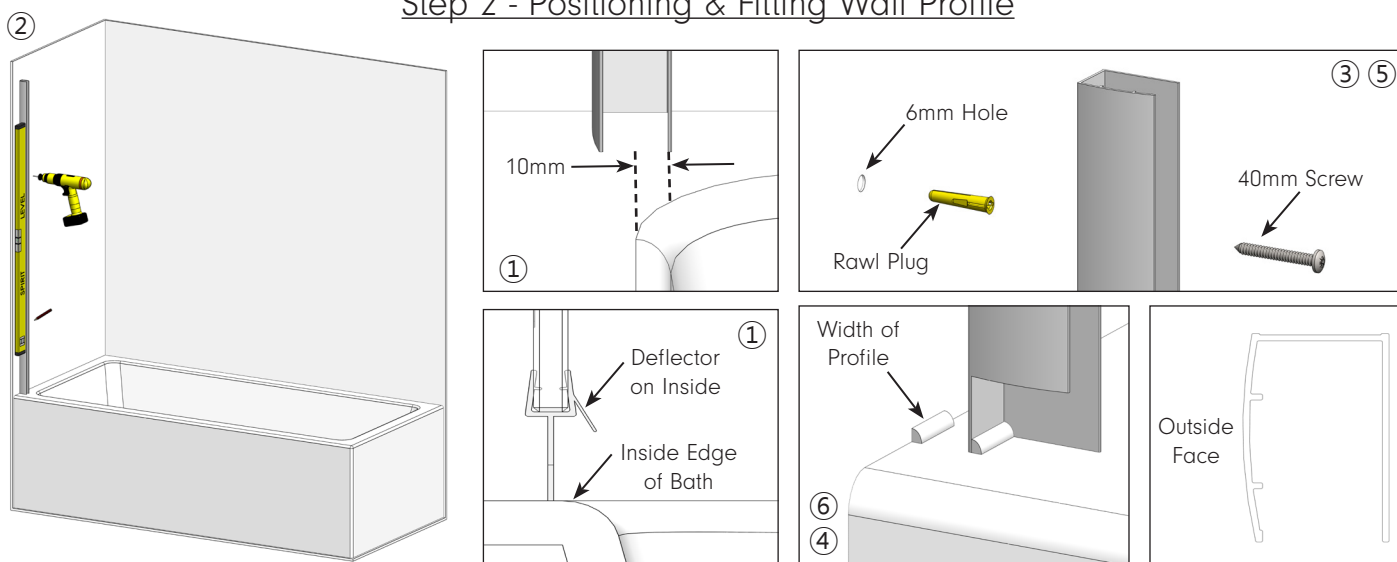
No.	Description	Qty.	No.	Description	Qty.
1	Panel Assembly	1	9	Top Cap (RH)	1
2	Wall Profile	1	10	Block Fixing Screw	2
3	Panel Vertical	1	11		
4	Pivot Block (Top)	1	12		
5	Pivot Block (Bottom)	1	13		
6	Linear Brush Seal	2	14		
7	Bottom Flipper Seal	1	15		
8	Top Cap (LH)	1	16		

## Step 1 - Pre-Installation Checks



1. Make sure the bath is installed as per the manufacturer's instructions.
2. Check your bath and walls are level on all sides (the bubble on the spirit level must be in the centre of the 2 lines).
  - If the bath & walls are not level and out of the product adjustment, you will not achieve any adjustment.
3. Stand in the bath and check that there is no adverse movement (correct if necessary).
4. The walls should be tiled and grouted up to the bath.
5. The tiles and the bath should be sealed using a good quality bathroom sealant:
  - Spray the seal and joints with the shower head and check for leaks when the silicon has cured.
  - Check the plumbing for leaks.
  - DO NOT plasterboard over the bath.
  - DO NOT grout the tiles when the enclosure has been fitted, the grout may discolour the aluminium profiles.

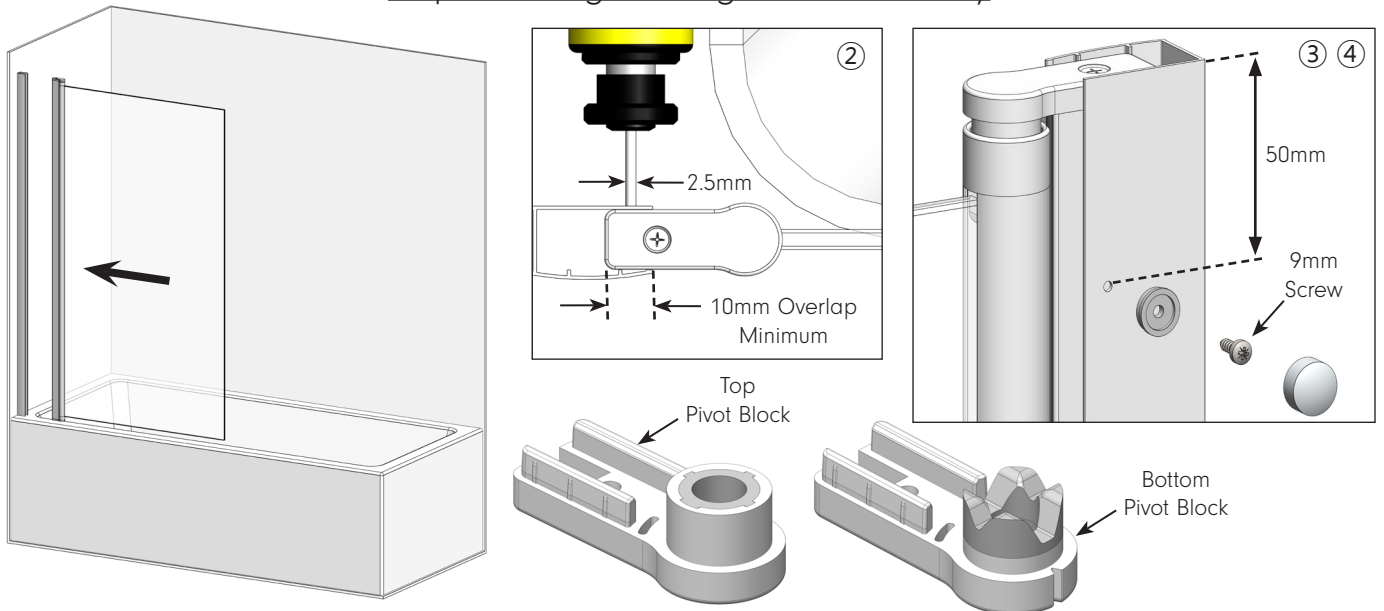
## Step 2 - Positioning & Fitting Wall Profile



1. Position the wall profile 10mm in from inside edge of the bath, so that the bottom of the deflector seal sets in-line with the inside bath edge.
  - Make sure the curved face of the wall profile is on the outside and remains vertical throughout.
2. Using a pencil, mark the locations for the screws through the wall profile holes.
3. Drill the holes using a 6mm masonry drill (not supplied); push the wall plugs (supplied) into the drilled holes.
4. Apply a bead of sealant the width of the wall profile at the bottom where the wall profile meets the tiled wall.
5. Screw fix the wall profile to the wall using the 40mm screws (supplied) ensuring it remains vertical throughout.
6. Apply a bead of sealant to the inside of the wall profile at the bottom where it meets the bath top.

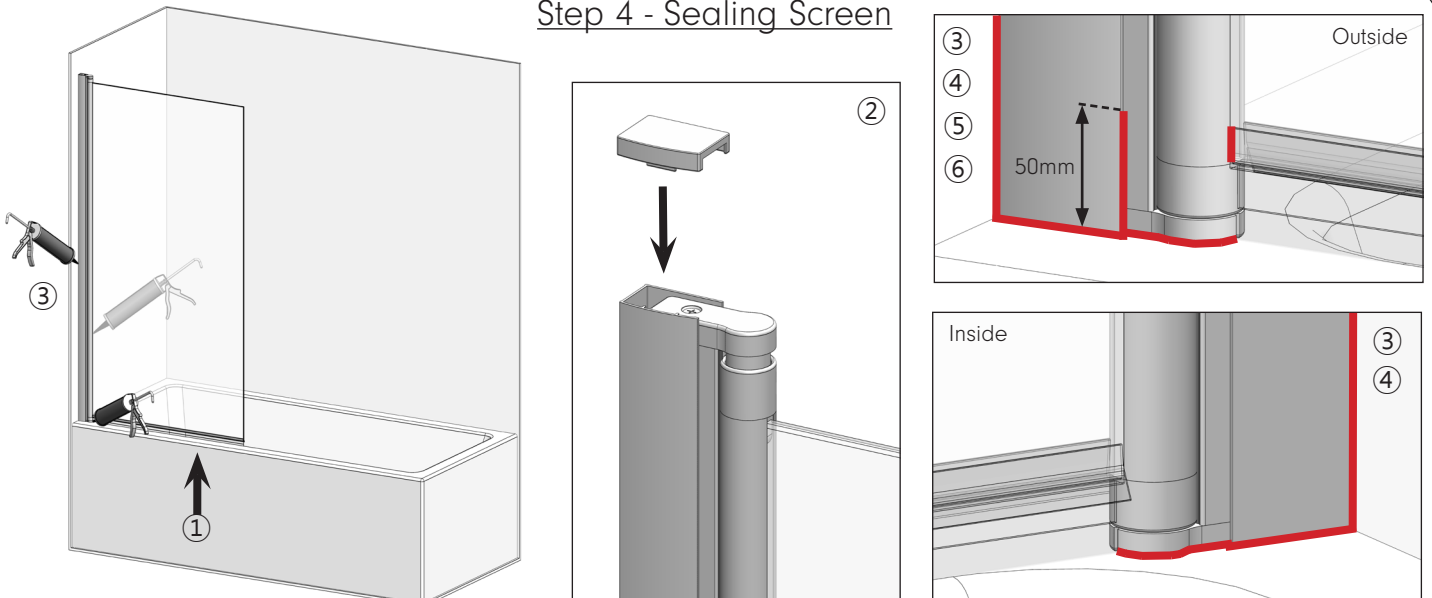
**IMPORTANT:** The wall profile must be completely vertical (the bubble should be in the centre of the 2 lines on the spirit level). The sealant must be applied in steps 4 and 6; failure to follow out this procedure may result in serious water damage and is not covered under the terms of the guarantee.

### Step 3 - Fitting & Fixing Panel Assembly



1. Ensure that the bath screen is handed correctly in accordance with the glass sticker, with the correct pivot block on the top & bottom (as shown above).
  - **IMPORTANT:** Failure to hand the screen correctly will result in the product operation issues .
  - We recommend leaving the glass corner guards on in order to protect the glass corners when handling the screen.
2. Push the panel assembly into the wall profile & drill 3 holes using the 2.5mm drill (supplied) 50mm from each end and the other in the centre
  - The wall profile must overlap the panel assembly by a minimum of 10mm.
  - Ensure the screen is fitted the correct way up, with the rise & fall pivot block on the bottom (see step 2).
3. Fit the screw bases on to the 9mm screws (supplied) then secure the panel assembly to the wall profile.
4. Fit the cover caps to conceal the heads of the screws.

### Step 4 - Sealing Screen



1. Fit the bottom seal onto the glass ensuring the deflector section is on the inside towards the bath (see step 2 - stage 1).
    - The seal may need cutting to length, please take care when cutting.
  2. Fit the appropriate handed top cap to the top of the wall profile.
  3. Once satisfied with the installation of the screen, on the inside & outside of the screen, seal the joint between the wall profile and the wall, from top to bottom.
  4. On both the inside & outside, carefully seal around the base of the screen where it meets the bath top surface.
  5. On the outside only, carefully seal where the seal meets the pivot tube aluminium (as shown).
  6. On the outside only, carefully seal 50mm up from the base where the wall profile and panel vertical overlap (as shown).
    - Carefully clean off any excess silicon.
  7. Leave for a minimum of 24 hours to allow the silicon to fully cure.
- **IMPORTANT:** Failure to follow procedures 3-7 may cause water damage and is not covered in the terms of the guarantee.

# Trouble Shooting Guide

Should you experience any problems during installation please refer to the Trouble Shooting Guide or contact Customer Relations on:  
+44 (0) 1325 328033

To enable customer relations to provide you with an excellent level of service it is important that you quote your product Code and Reference Number - these can be found on the Guarantee card.

Problem	Solution
Leaking	<ol style="list-style-type: none"><li>1. Check that the inside gap between the Bath and Wall profile has been sealed correctly.</li><li>2. Ensure the Bath is sealed along the tiled walls prior to installation.</li><li>3. Ensure that the outside joint between the enclosure and tray top is sealed</li><li>4. Ensure the Wall Profile on the tiled wall are sealed vertically on both the inside and outside.</li><li>5. Is the Wall Profile fitted 5mm approx. from the inside edge of the Bath top?</li><li>6. Is the bottom seal slightly depressed onto the Bath top.</li><li>7. Ensure the deflector on the Bottom Seal is facing inward towards the Bath.</li><li>8. If the Bath Screen is sealed on the inside along the Bath top, this will cause leakage - sealant must be removed.</li></ol> <p><u>IMPORTANT: This enclosure should be water tested conforming to BS EN 14428</u></p>
Enclosure Alignment on Bath	<ol style="list-style-type: none"><li>1. Have you read and understood Step 1 of the instructions?</li><li>2. Is the Bath Screen fitted onto a tiled wall?</li><li>3. Is the Wall Profile completely vertical?</li></ol>

## Important Information to help you maintain your Product:

The following information is all you need to keep your product looking new.

Our products are generally maintenance free, however it may be necessary to lubricate wheel assemblies and other moving parts such as hinges from time to time.

Clean your product using a mild detergent diluted in water and then polished off using a soft cloth.

If you live in a hard water area, periodically clean your product using a 50/50 solution of white vinegar and water. The solution should be left on the enclosure for approximately 5 minutes then rinsed off using warm water. This method of cleaning should remove lime scale residue.

It is strongly recommended that a quality silicone spray is used.

## A list of Dont's

1. Don't use acidic based products which are unsuitable for cleaning enamel surfaces.
2. Don't use abrasive cleaners or cleaners using bleach or solvents, these products will adversely affect the finish of the aluminium profiles.
3. Don't use scouring pads, powder or any sharp instruments when cleaning the enclosure.