

# Hinged Bathscreen

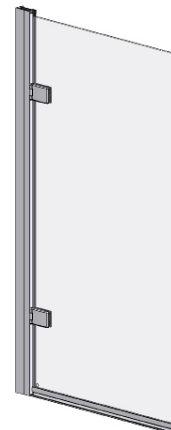
## Instruction Manual

### V8BL



PO Box 125, Whitworth Avenue,  
Aycliffe Business Park,  
Co Durham DL5 6WX

To obtain a copy of the Declaration of Performance for this product, please go to: [www.ce-dop.com](http://www.ce-dop.com), contact us on +44 (0) 1325 328034, or write to us at the above address, quoting the product reference number where possible.



### IMPORTANT INFORMATION

Be aware toughened glass can shatter if not handled correctly. It should not be subjected to any sharp impact and it is essential to protect the glass by resting it on a soft protective surface during installation such as cardboard or carpeting. It is recommended to wear PPE at all times during installation.



#### PRE-INSTALLATION CHECKS

1. Check you have the correct product. Please look at the labels on the side of the product packaging.
2. Check all the product components are in the box and the fixing kits.
3. Unpack your product and handle it with care.
4. Please check the product for defects or damage, once the installation has commenced we cannot accept responsibility for any defects or damage.
5. Please take time to read these instructions prior to installing your product.
6. Before you commence any drilling check there are no hidden electrical cables and/or water pipes.
7. No attempt should be made to re-work the toughened safety glass.
8. The installation of the product should be performed by two persons.
9. It is strongly recommended that the walls the product is going to be installed on are vertical.
10. It is strongly recommended the product is fitted on a tiled surface or similar waterproof surface.
11. It is strongly recommended the walls are tiled and grouted before the product is installed.
12. If the walls and/or the tray are not level you will not achieve maximum adjustment of the product.
13. Pictures used are for illustration purposes only, product designs may alter slightly as a result of continuing product development.
14. We do not stipulate where the European Standard Kite Mark should be positioned on the glass when being factory assembled.
15. Please note that some natural misting may occur when you remove this product from its packaging, due to the addition of the glass protection pre-coating. If this does occur this can easily be removed with a soft, dry cloth.

#### Component Check List: Supplied

Description	Quantity
Wall Profile	1
Hinged Bath Screen	1
Bottom Seal	1
Bath Top Strip	1

#### Fixing Kit Components

Description	Quantity
2.5mm Drill Bit	1
Wall Plugs (for brick or block walls)	3
40mm Screws (wall profile)	3
9mm screws	3
Coloured Caps and Bases	3
Branding Badge (where applicable)	1
Wooden Setting Block	1
Top Cap (Left Hand)	1
Top Cap (Right Hand)	1
Dam Component	1

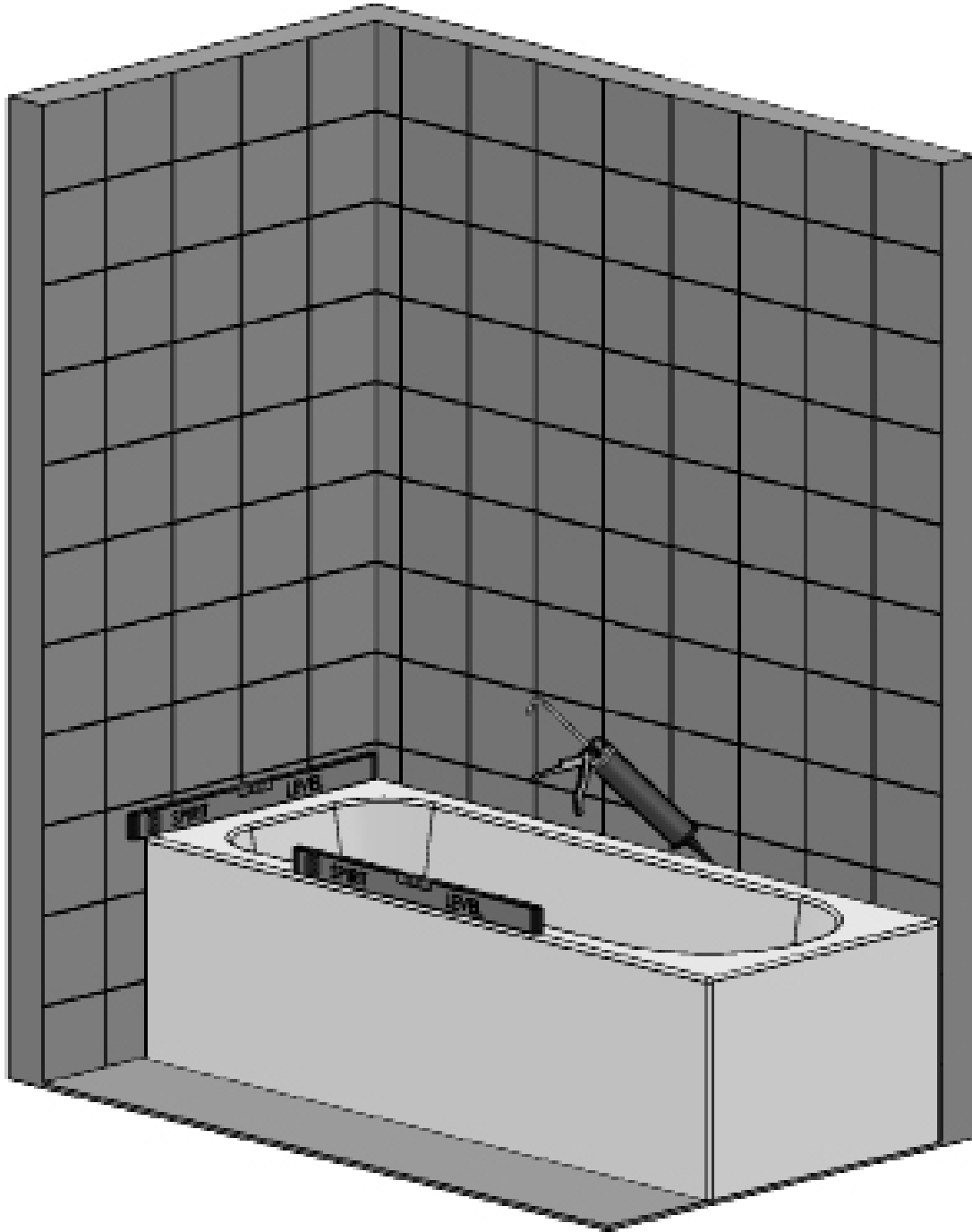
#### Equipment Check List: Not Supplied

Description
Battery / Electric Drill
4.5mm Drill Bit
6mm Masonry Drill Bit
Bathroom Sealant Gun
Bathroom Sealant Tube
Screwdriver
Spirit Level
Tape Measure
Pencil
Wall Plugs (Plasterboard)
Low adhesive electrical tape / masking tape

### CONSUMER GUARANTEE

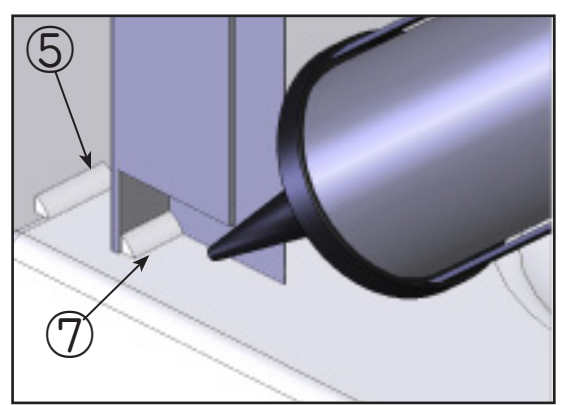
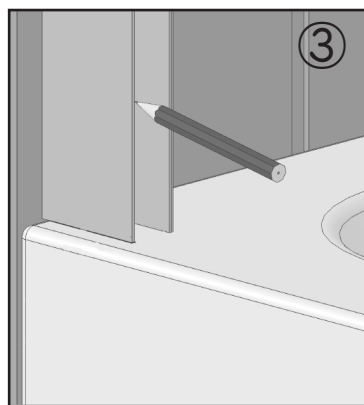
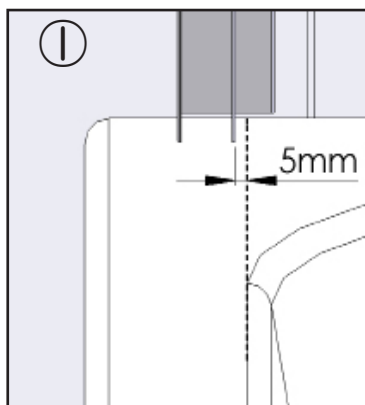
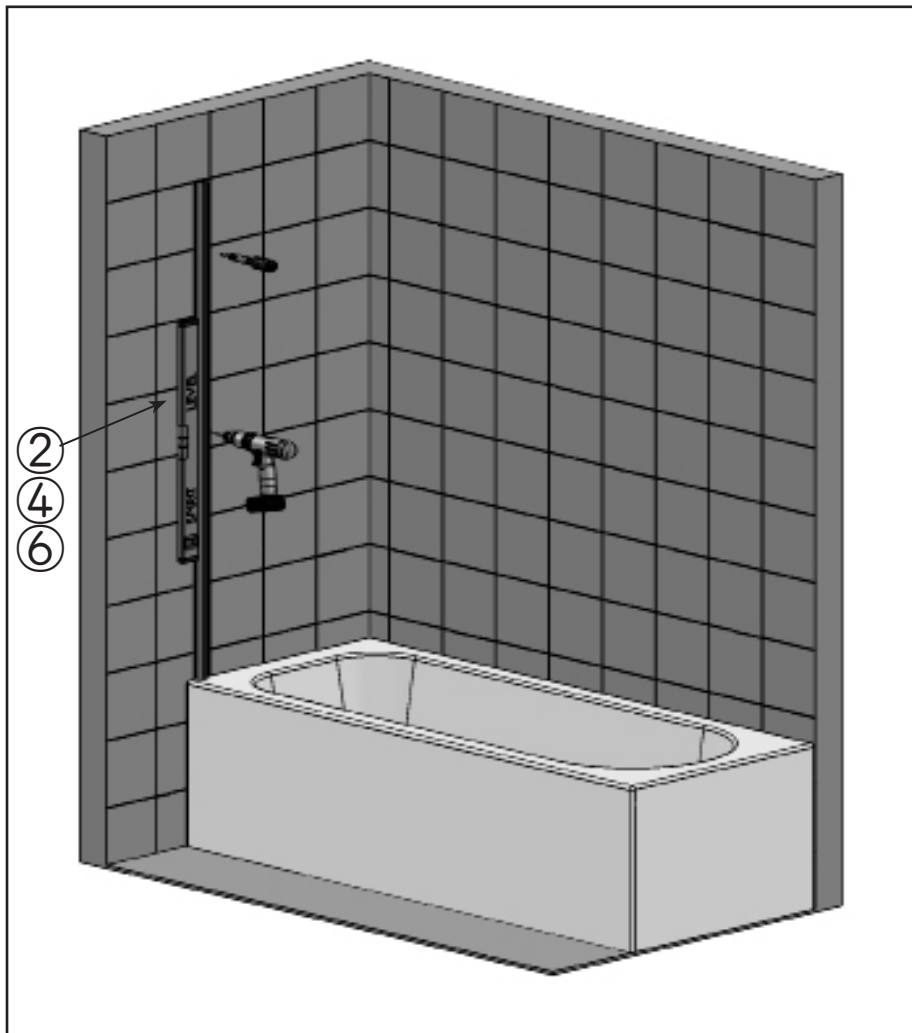
Please make sure the purchaser/end user completes and returns the guarantee card which is enclosed with this product. Failure to validate the Guarantee will mean only the 1 Year Statutory Guarantee will apply.

## IMPORTANT PRE-INSTALLATION CHECKS



1. Ensure the bath is completely level.
  2. Check for any movement in the bath by standing in it.
  3. The walls should be tiled and grouted up to the bath.
  4. Fill the bath with water and check the plumbing for leaks.
  5. With the bath full of water, fully seal the bath along the tiled wall with a bathroom sealant (not supplied).
  6. With the water still in the bath leave the sealant to cure for at least 24 hours.
- **Spray the seal and joints with the shower head and check for leaks when the silicon has cured.**
  - **Check the plumbing for leaks.**
  - **Do not plasterboard over the bath.**
  - **Do not grout the tiles when the bath screen has been fitted, the grout may discolour the aluminium profiles.**
  - **Make sure the bath is installed to the manufacturers instructions.**

## Step 1 - Fixing Wall Profile

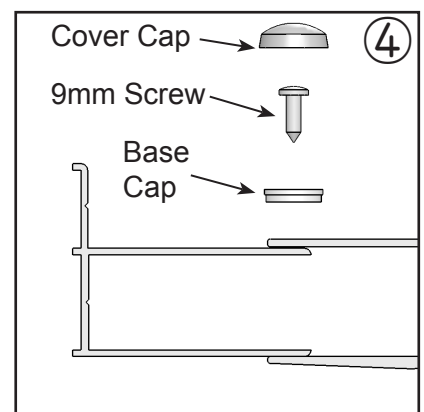
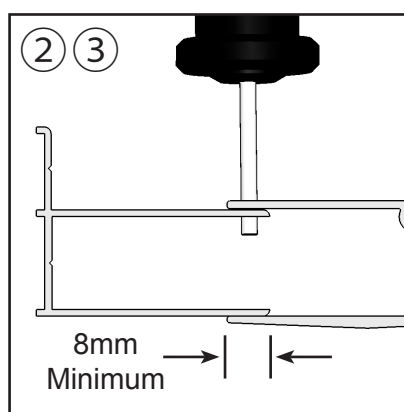
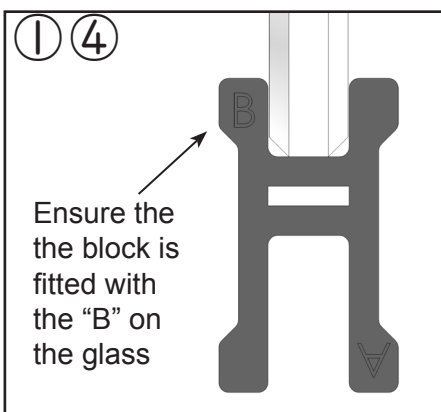
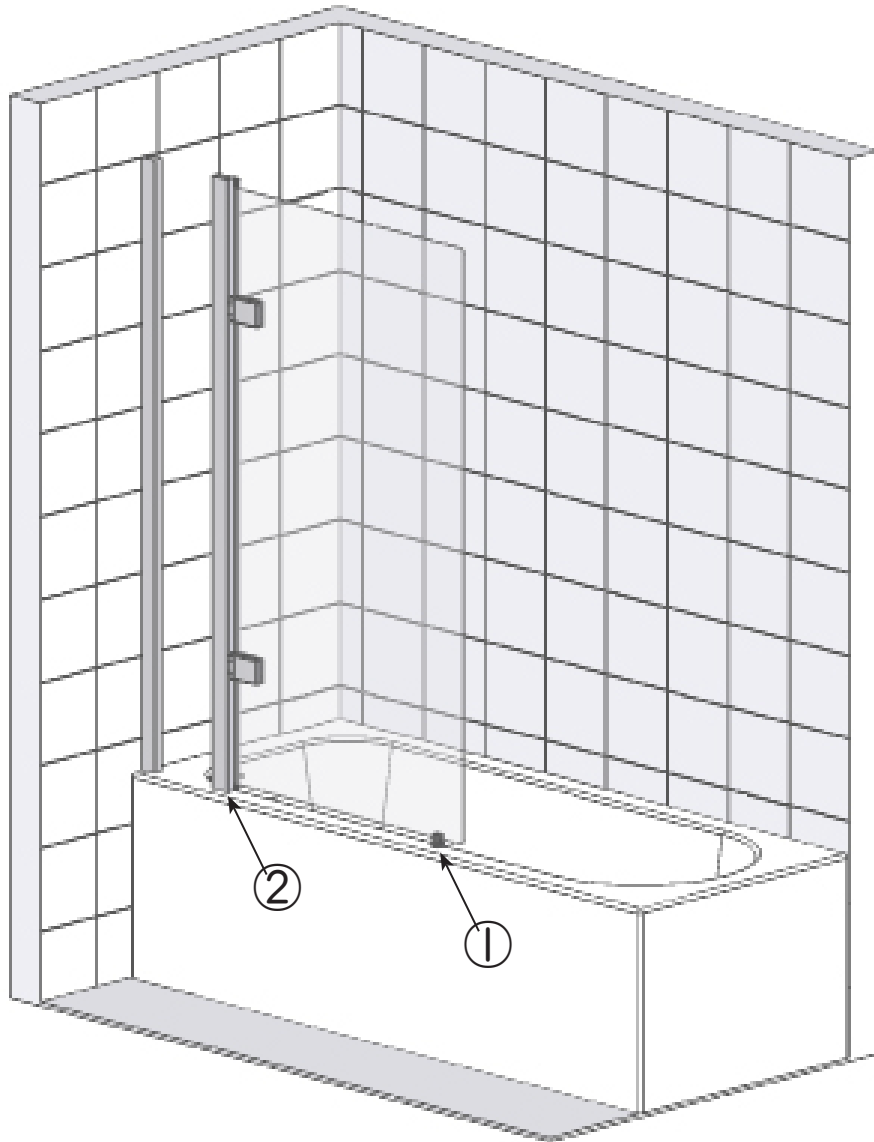


1. Position the inside edge of the wall profile 5mm in from the inside edge of the Bath (as shown).
2. Make sure the wall profile is vertical using a spirit level.
3. Using a pencil mark the locations for the drill holes through the holes in the "U" Channel of the wall profile.
4. Drill the holes using a 6mm masonry drill (not supplied); push the wall plugs (supplied) into the drilled holes.
5. Apply a bead of sealant the width of the wall profile at the bottom where the wall profile meets the tiled wall.
6. Screw fix the wall profile to the wall using the 40mm screws (supplied) ensuring it is vertical.
7. Apply a bead of sealant to the inside of the wall profile at the bottom where it meets the Bath top.

**Important:** The wall profile must be completely vertical (the bubble should be in the centre of the 2 lines on the spirit level). The sealant must be applied in steps 5 and 7; failure to follow out this procedure may result in serious water damage and is not covered under the terms of the guarantee.

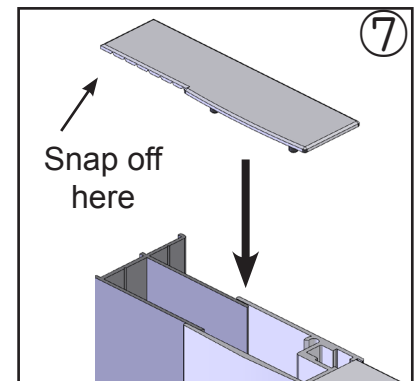
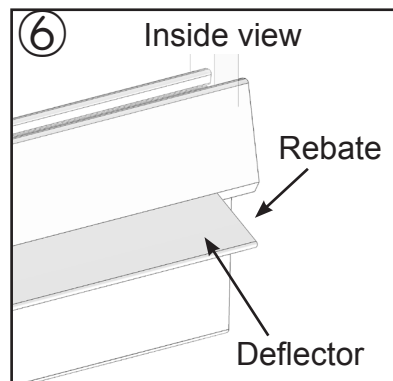
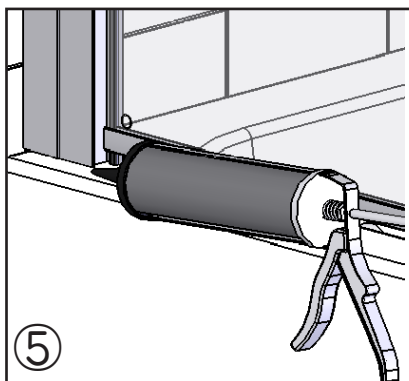
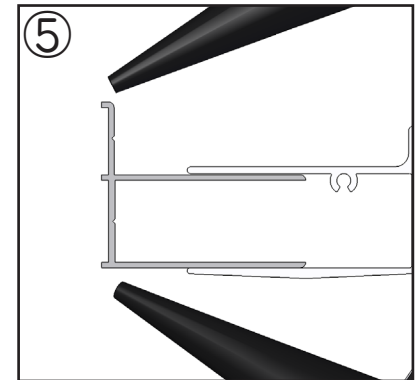
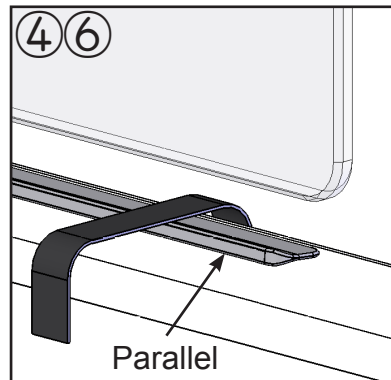
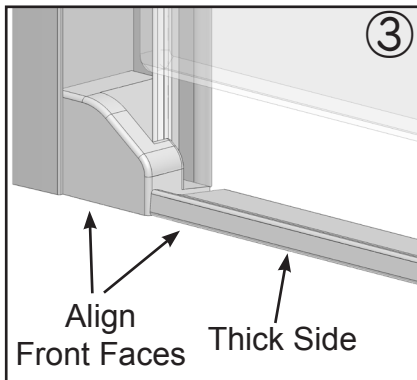
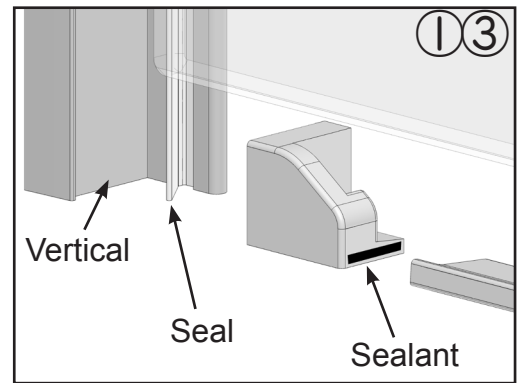
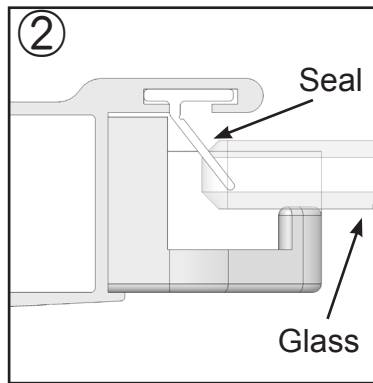
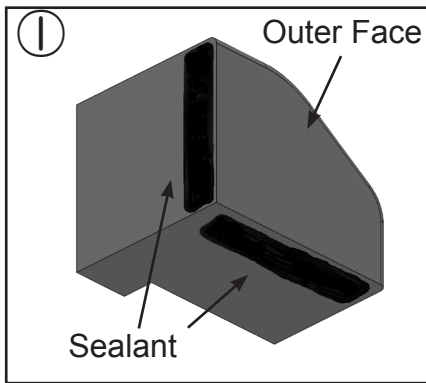
## Step 2 - Fixing the Screen

NOTE: We recommend that 2 people carry out the following procedures.



1. Place the setting block onto the bottom of the glass screen, ensuring the end marked "B" is on the glass.
2. Slide the Hinged Bath Screen into the Wall Profile ensuring that it overlaps by at least 8mm.
3. Step inside the bath and drill 3 holes into the Hinged Bath Screen vertical and the wall profile using the 2.5mm drill bit (supplied). The holes should be drilled approximately 50mm from the top and bottom and at the centre. **(Ensure the setting block is sitting on the bath).**
4. Fix the 9mm screws into the Base Caps, then screw fix into the holes drilled in stage 3 with a screwdriver. Press fit the Cover Caps into place over the Screw Base Caps once the screws are fully tightened.
  - **Remove the setting block when fixing is complete.**

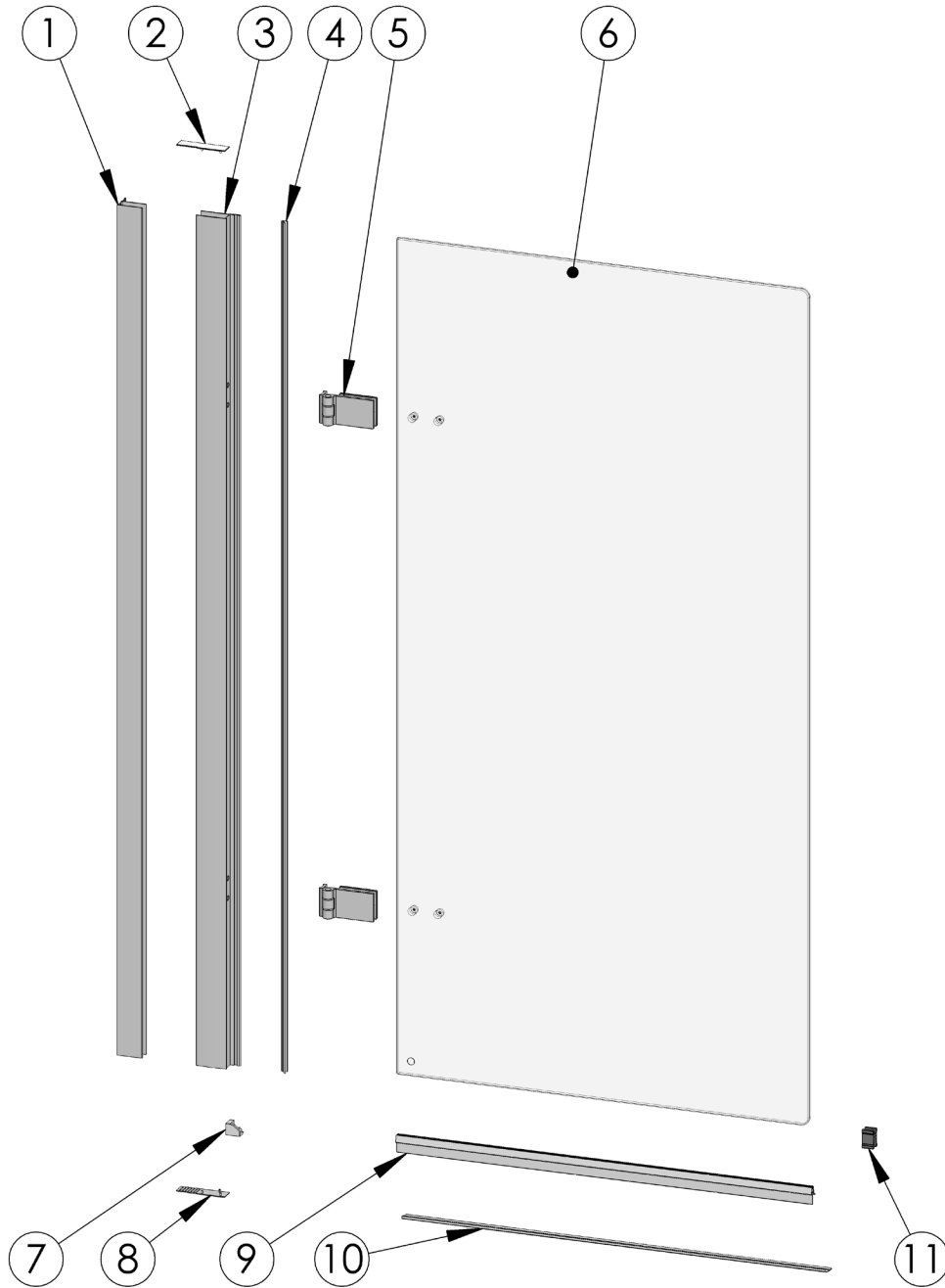
## Step 3 - Fitting Bottom Seal and Sealing



1. On the Dam component add sealant to the two faces close to the outer face as shown. Place the Dam into the bottom of the Hinged Bath Screen Vertical and onto the top of the bath.
2. Ensure the Seal is facing the correct way and that it fits between the Dam component and the Vertical at the bottom. Make sure the Seal sits on top of the Bath (pinch the flipper on the seal and slide fully down).
3. Place a bead of Bathroom Sealant on the underside of the Bath Top Strip (Full length) and on the end of the Dam component. Slide the Bath Top Strip up to the Dam component and align the front faces.
  - **(Make sure you place the sealant on the correct side - the thick side of the Bath Top Strip goes to the outside of the bath).**
4. Make sure the Bath Top Strip is parallel with the outside of the bath. Push fully down so the sealant creates a bond, hold in place at each end and the centre with a low adhesive tape. **(Wipe off any excess sealant).**
5. Once satisfied with the installation of your Hinged Bath Screen, seal both sides of the Wall Profile vertically inside and outside only where it meets the tiles. Fully seal the base of the Hinged Bath Screen along the bath top from the outside only.
  - **(Note: please allow at least 24 hours for the sealant to cure prior to using your Hinged Bath Screen).**
6. Remove all the tape from the Bath Top Strip. Fit the Bottom Seal with the deflector facing inward and the end flush with the glass at the Hinge end. Carefully cut a small rebate on the deflector to stop any fouling, (close the screen and you will see how much will be required to remove). Finally cut the seal to length.
7. The Top Cap has grooves and can be shortened by snapping off at these points. Fit the correct Top Cap.
  - **Add a small amount of sealant between the faces of the cap and vertical will help keep it in place.**
8. Ensure the Branding Badge is placed prominently on a none moving part.

## Spare Parts

If you need to replace any damaged parts please see illustration below for parts list then call Customer Relations on 01325 328033



NOTE: If ordering Part 7 then please state the handing of the Bathscreen i.e. Left Hand or Right Hand.

Part No.	Description	Q'ty	Part No.	Description	Q'ty	Part No.	Description	Q'ty
1	Wall Profile	1	11	Setting Block	1	21		
2	Top Cap (Left Hand)	1	12			22		
3	Bathscreen Vertical	1	13			23		
4	Vertical Seal	1	14			24		
5	Hinge Assemblies	2	15			25		
6	Bathscreen Glass	1	16					
7	Dam Component	1	17					
8	Top Cap (Right Hand)	1	18					
9	Bottom Seal	1	19					
10	Bath Top Strip	1	20					

## TROUBLE SHOOTING GUIDE

Problem	Solution
<b>Leaking</b>	<ol style="list-style-type: none"><li>1. Check that the inside gap between the Bath and Wall profile has been sealed correctly.</li><li>2. Ensure the Bath is sealed along the tiled walls prior to installation.</li><li>3. If the inside joint between the enclosure and the tray top is sealed, this will cause leakage - sealant must be removed.</li><li>4. Ensure the wall profile on the tiled wall is sealed both vertically inside and outside.</li><li>5. Ensure the Dam component has been fitted and sealed.</li><li>6. Ensure the joint between the Hinged Bath Screen and Bath top is sealed.</li><li>7. Is the Wall profile fitted 5mm approx. From the inside edge of the Bath.</li><li>8. Is the deflector part of the Bottom Seal Extrusion facing inwards towards the Bath.</li></ol> <p><b>Important: This enclosure should be water tested conforming to BS EN 14428</b></p>
<b>Hinged Bath Screen alignment on the Bath</b>	<ol style="list-style-type: none"><li>1. Is the Hinged Bath Screen fitted onto a tiled wall?</li><li>2. Is the Wall profile fitted 5mm approx. From the inside edge of the Bath.</li><li>3. Is the wall profile completely vertical?</li></ol>

### Some important information to help you Maintain your product.

The following information is all you need to keep your product looking new.

Clean your product using a mild detergent diluted in water and then polished off using a soft cloth. If you live in a hard water area, periodically clean your product using a 50/50 solution of white vinegar and water. The solution should be left on the enclosure for approximately 5 minutes then rinsed off using warm water. This method of cleaning should remove lime scale residue.

### Simple Maintenance

Our products are generally maintenance free, however it may be necessary to lubricate wheel assemblies and other moving parts from time to time.

It is strongly recommended that a quality silicone spray is used.

### A list of Don't's:

1. Don't use acidic based products which are unsuitable for cleaning enamel surfaces.
2. Don't use abrasive cleaners or cleaners using bleach or solvents, these products will adversely affect the finish of the aluminium profiles.
3. Don't use scouring pads, powder or any sharp instruments when cleaning the enclosure.

Should you experience any problems during installation please refer to the Trouble Shooting Guide or contact Customer Relations on:

**+44 (0) 1325 328033**

To enable customer relations to provide you with an excellent level of service it is important that you quote your product Code and Reference Number - these can be found on the Guarantee card.