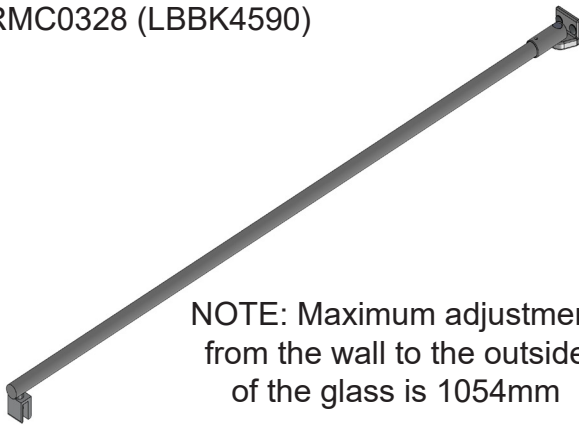


## Back to Wall Bracing Options

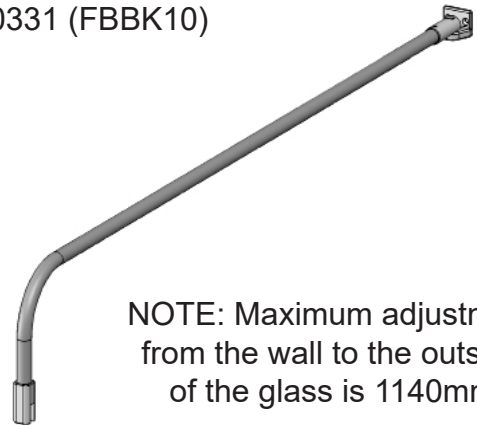
**IMPORTANT:** The brace bar may need shortening, if so use a hacksaw or similar. You must ensure that the brace bar is cut at the wall cup end and that all burrs and sharp edges are removed carefully.

RMC0328 (LBBK4590)



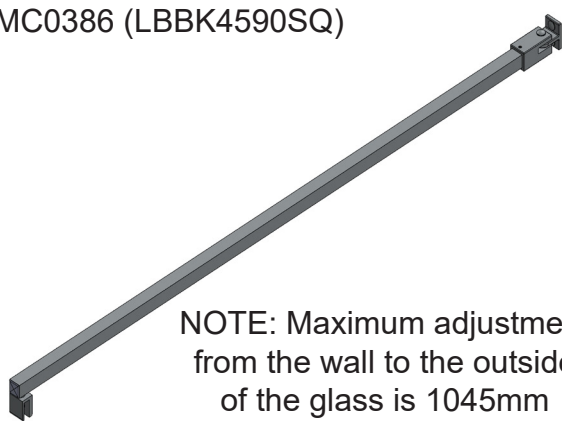
NOTE: Maximum adjustment from the wall to the outside of the glass is 1054mm

RMC0331 (FBBK10)



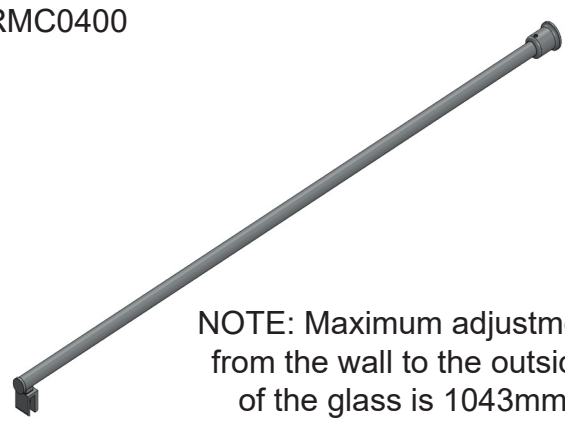
NOTE: Maximum adjustment from the wall to the outside of the glass is 1140mm

RMC0386 (LBBK4590SQ)

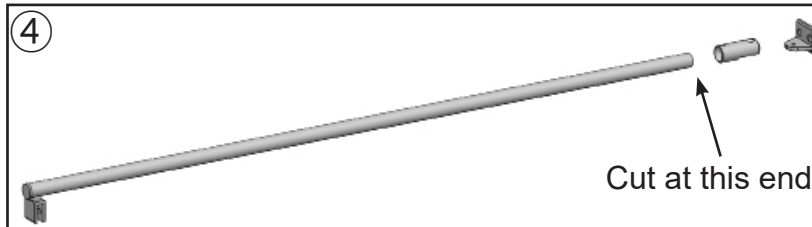
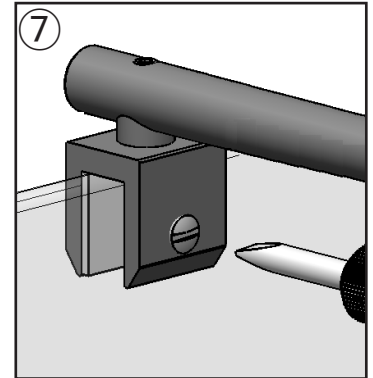
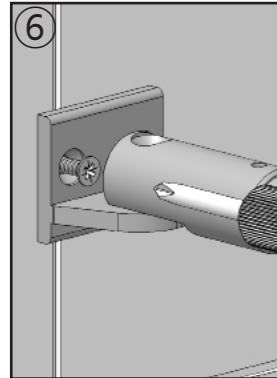
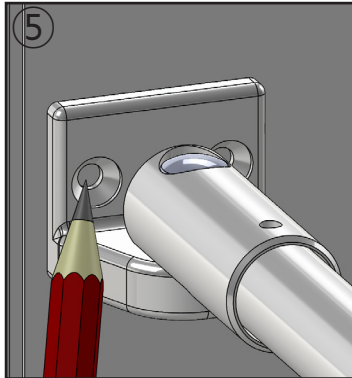
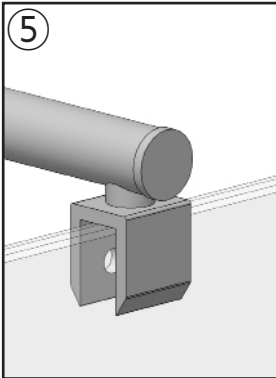


NOTE: Maximum adjustment from the wall to the outside of the glass is 1045mm

RMC0400



NOTE: Maximum adjustment from the wall to the outside of the glass is 1043mm



1. Decide which wall you will be fixing to and measure the distance from the wall to the outside face of the glass at the point the glass bracket will be positioned.
2. Lay the bracing assembly down and measure from the glass clamp to the outer face of the wall cup.
3. Deduct the two measurements from each other.
4. Remove the wall cup and shorten the brace bar at the wall cup end by the calculated amount.
5. Place the whole bracing on top of the glass and line up with the back wall, mark the wall cup's position while using a spirit level to keep it level.
6. Remove the bracing and drill the wall using a 6mm masonry drill bit (not supplied) and fit wall plugs.
7. Place the bracing back onto the glass and secure the wall cup to the back wall.
8. **Ensure ALL gaskets are fitted and tighten ALL screws.** Fit all screw cover caps when complete.
  - There is 10mm of adjustment in the brace bar assembly to allow for correct adjustment.
  - The brace bar must be level, use a spirit level and ensure the bubble is in the middle of the two lines.