

Glass to Ceiling Bracing Options

IMPORTANT: The brace bar may need shortening, if so use a hacksaw or similar. You must ensure that the brace bar is cut at the ceiling cup end and that all burrs and sharp edges are removed carefully. It is recommended that the brace is fixed to a solid point, such as a joist, where possible.

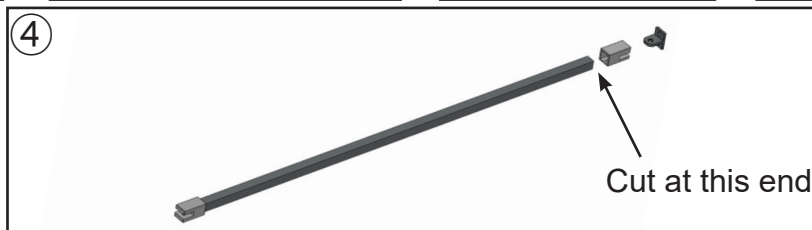
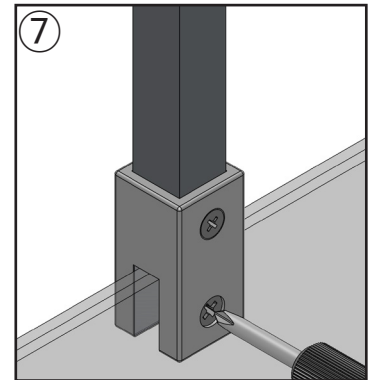
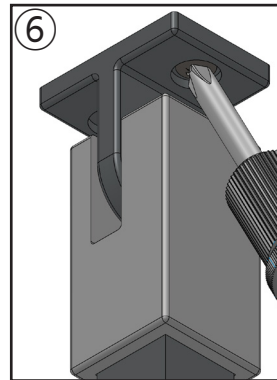
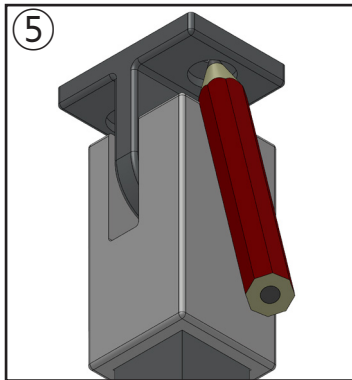
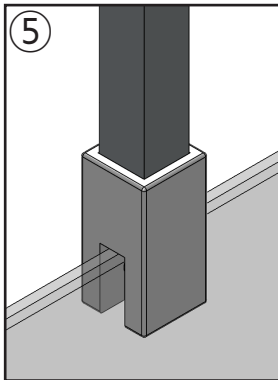
RMC0329 (LBBKC50)

NOTE: Maximum adjustment from the ceiling to the top of the glass is 1056.5mm



RMC0387 (LBBKC50SQ)

NOTE: Maximum adjustment from the ceiling to the top of the glass is 1055mm



1. Measure the distance from the ceiling to the top face of the glass at the point the glass bracket will be positioned.
2. Lay the bracing assembly down and measure from the glass clamp to the outer face of the wall cup.
3. Deduct the two measurements from each other.
4. Remove the wall cup and shorten the brace bar at the wall cup end by the calculated amount.
5. Place the whole bracing on top of the glass and line up with the ceiling, mark the ceiling cup's position while using a spirit level to keep it level.
6. Remove the bracing and drill the ceiling using a 6mm masonry drill bit (not supplied) and fit wall plugs.
7. Place the bracing back onto the glass and secure the ceiling cup to the ceiling.
8. **Ensure ALL gaskets are fitted and tighten ALL screws.** Fit all screw cover caps when complete.
 - There is 10mm of adjustment in the brace bar assembly to allow for correct adjustment.
 - The brace bar must be level, use a spirit level and ensure the bubble is in the middle of the two lines.