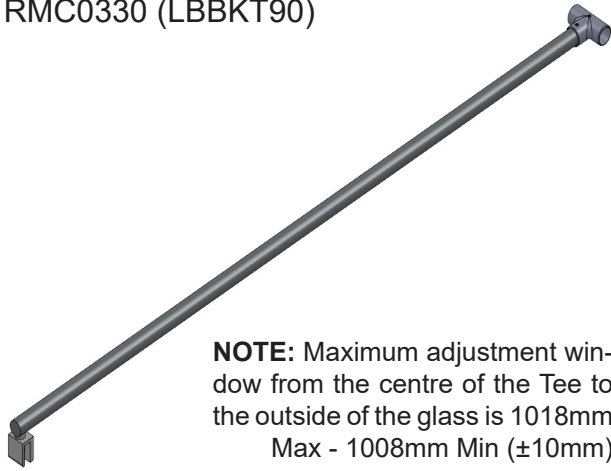


## Side Panel Bracing Options

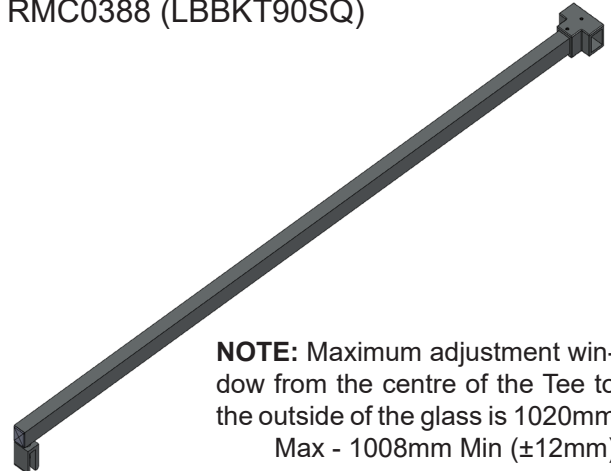
**IMPORTANT:** The brace bar may need shortening, if so use a hacksaw or similar. You **must** ensure that the brace bar is cut at the tee piece end and that all burrs and sharp edges are removed carefully.

RMC0330 (LBBKT90)

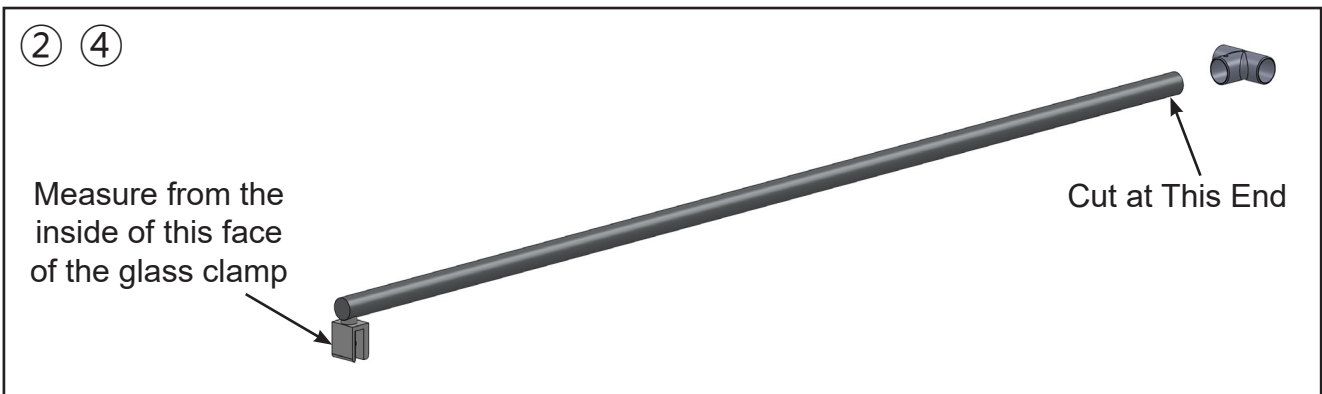
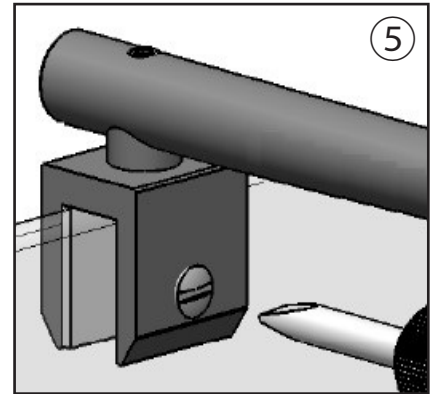
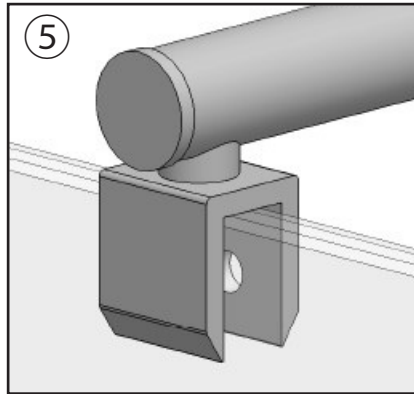
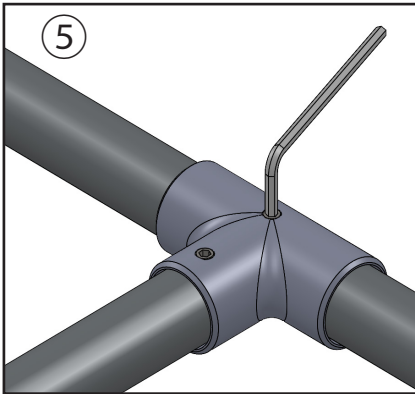


**NOTE:** Maximum adjustment window from the centre of the Tee to the outside of the glass is 1018mm  
Max - 1008mm Min ( $\pm 10$ mm)

RMC0388 (LBBKT90SQ)



**NOTE:** Maximum adjustment window from the centre of the Tee to the outside of the glass is 1020mm  
Max - 1008mm Min ( $\pm 12$ mm)



1. Measure the distance from the outside face of the glass to the centre of the other brace bar.
2. Lay the bracing assembly down and measure from the inside face of the outer part of the glass clamp to the centre of the tee piece.
3. Deduct the two measurements from each other.
4. Remove the tee piece and shorten the brace bar at the tee piece end by the calculated amount.
5. Fit the bracing onto the other bracing and onto the glass, fit all gaskets and tighten all screws.
6. Fit all screw cover caps when complete.

- **There is adjustment in the brace bar assemblies to allow for correct adjustment.**
- **NOTE:  $\pm 10$ mm round brace bar /  $\pm 12$ mm square brace bar**
- **IMPORTANT: Ensure that all the bracings are fitted level using a spirit level**