

# Floor to Ceiling

# Instruction Manual

## RF2C8KIT



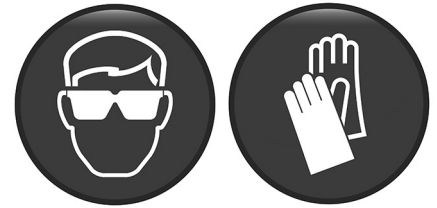
PO Box 125, Whitworth Avenue,  
Aycliffe Business Park,  
Co Durham DL5 6WX

To obtain a copy of the Declaration of Performance for this product, please go to: [www.ce-dop.com](http://www.ce-dop.com), contact us on +44 (0) 1325 328034, or write to us at the above address, quoting the product reference number where possible.



## IMPORTANT INFORMATION

Be aware toughened glass can shatter if not handled correctly. It should not be subjected to any sharp impact and it is essential to protect the glass by resting it on a soft protective surface during installation such as cardboard or carpeting. It is recommended to wear PPE at all times during installation.



### PRE-INSTALLATION CHECKS

1. Check you have the correct product. Please look at the labels on the side of the product packaging.
2. Check all the product components are in the box and the fixing kits.
3. Unpack your product and handle it with care.
4. Please check the product for defects or damage, once the installation has commenced we cannot accept responsibility for any defects or damage.
5. Please take time to read these instructions prior to installing your product.
6. Before you commence any drilling check there are no hidden electrical cables and/or water pipes.
7. No attempt should be made to re-work the toughened safety glass.
8. The installation of the product should be performed by two persons.
9. It is strongly recommended that the walls the product is going to be installed on are vertical.
10. It is strongly recommended the product is fitted on a tiled surface or similar waterproof surface.
11. It is strongly recommended the walls are tiled and grouted before the product is installed.
12. If the walls and/or the tray are not level you will not achieve maximum adjustment of the product.
13. Pictures used are for illustration purposes only, product designs may alter slightly as a result of continuing product development.
14. We do not stipulate where the European Standard Kite Mark should be positioned on the glass when being factory assembled.
15. Please note that some natural misting may occur when you remove this product from its packaging, due to the addition of the glass protection pre-coating. If this does occur this can easily be removed with a soft, dry cloth.

### Component Check List: Supplied

Description	Quantity
Ceiling Cup Assembly	1
Circular Profile	1
Infill Profile	1
Floor Fixing	1

### Equipment Check List: Not Supplied

Description
Electric / Battery Drill
6mm Masonry Drill Bit
Sealant Gun
Silicon
Pozi Screwdriver
Spirit Level
Tape Measure
Pencil
Hacksaw
Wall Fixings (if going into Plasterboard etc.)

### Fixing Kit Components

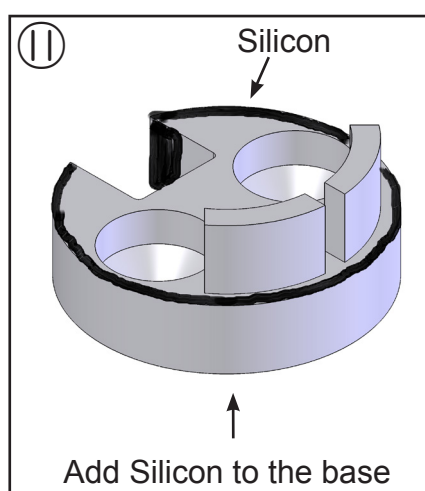
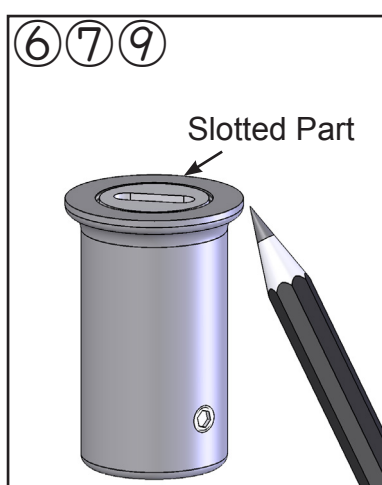
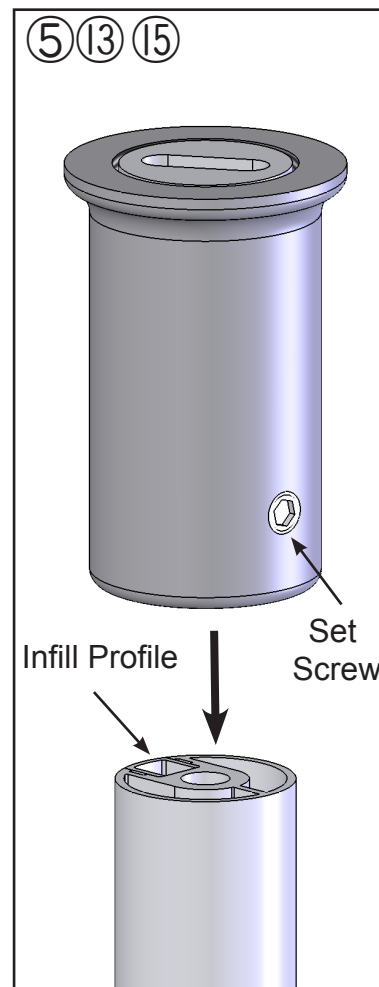
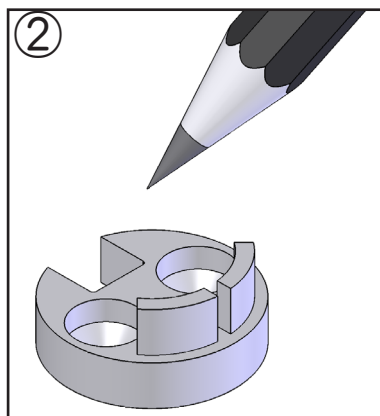
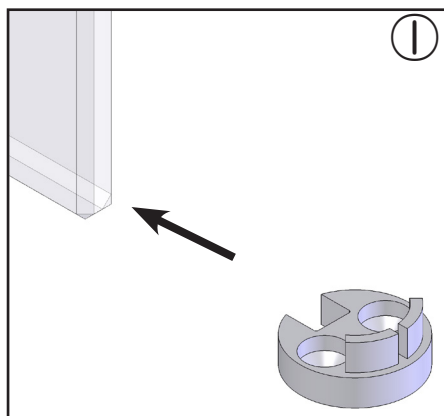
Description	Quantity
40mm Screws	3
Wall Plugs	3
3mm Allen Key	1

## CONSUMER GUARANTEE

Please make sure the purchaser/end user completes and returns the guarantee card which is enclosed with this product. Failure to validate the Guarantee will mean only the 1 Year Statutory Guarantee will apply.

## Floor to Ceiling

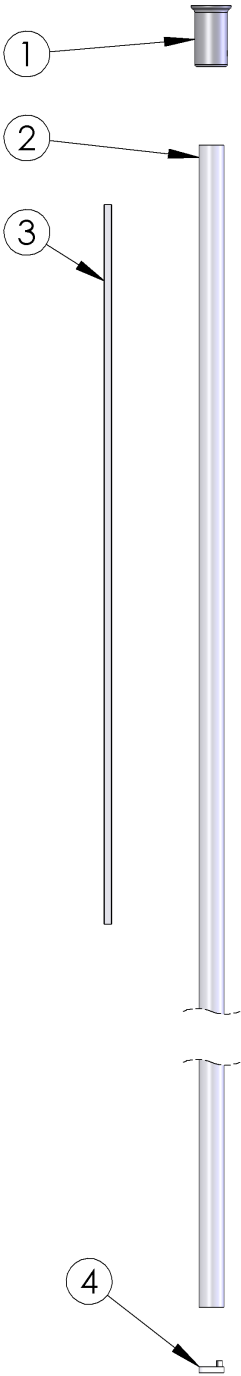
Fit the Panel using the products instructions, DO NOT seal at this stage as you may need to remove and refit.



1. Place the Floor Fixing onto the bottom of the panel, ensuring that the cut-out fits over the glass.
2. Mark the floor/tray through the two holes in the Floor Fixing, drill and fit appropriate fixings and secure.
3. With the Floor Fixing in place measure vertically between the top of it and the ceiling.
4. Using the measurement just taken reduce this by 15mm and carefully cut the Circular Profile to this length taking care to remove all sharp edges afterwards.
  - **Wrapping some masking tape around where it is to be cut will help to protect it from scratches.**
5. Place the Bracing Cup onto the top of the Circular Profile. Position the Circular Profile over the glass and onto the Floor Fixing.
6. With the parts in place push the Bracing Cup up to the ceiling and lightly mark its position using a pencil.
  - **Placing some masking tape on the ceiling will make it easier to mark and will also protect it when drilling.**
7. Remove all the parts from the panel and remove the Slotted Part of the Bracing Cup. Position the Slotted Part on the ceiling at the centre of the pre-marked position, mark the slot using a pencil and remove.
8. Drill the ceiling and fit appropriate fixings (not supplied) for securing the Bracing Cup.
9. Carefully remove any masking tape (if used) and fasten the Slotted Part to the ceiling ensuring it is central.
10. Measure from the top of the glass to the ceiling, cut the Aluminium Infill Profile 15mm shorter than that distance taking care to remove all sharp edges afterwards.
11. Apply a generous amount of clear silicon to the base of the Floor Fixing. Also apply silicon into the area that fits over the glass and the face that butts up to the Circular Profile. Refit the Floor Fixing.
12. Apply a clear bead of silicon down the full length of the slot in the Circular Profile.
13. Insert the Aluminium Infill Profile into the upper part of the Circular Profile then place the Bracing Cup over both parts.
14. Place the Circular Profile over the Floor Fixing and at the same time pushing it onto the edge of the glass.
15. Push the Bracing Cup up to the ceiling and screw fully onto the Slotted Part fastened earlier. Secure the Ceiling Cup to Circular Profile by tightening the set screw. Carefully remove any excess silicon.
16. Refer to your Panel Instructions for sealing information but in addition ensure that the Circular Profile is fully sealed at the base.
  - **Allow a minimum of 24 hours for the Bathroom Sealant to fully cure before use.**

# Spare Parts

If you need to replace any damaged parts please see illustration below for parts list then call Customer Relations on 01325 328033



Part No.	Description	Qty	Part No.	Description	Qty	Part No.	Description	Qty
1	Ceiling Cup Assembly	1	11			21		
2	Circular Profile	1	12			22		
3	Infill Profile	1	13			23		
4	Floor Fixing	1	14			24		
5			15			25		
6			16					
7			17					
8			18					
9			19					
10			20					

## TROUBLE SHOOTING GUIDE

Problem	Solution
<b>Leaking</b>	<ol style="list-style-type: none"><li>1. Check the Floor Fixing has been siliconed on both faces.</li><li>2. Check that the Floor Fixing is fully tightened.</li><li>3. Check the Circular Profile has been siliconed correctly.</li><li>4. Check that the Infill Profile is siliconed.</li><li>5. Check that the Panel and Circular Profiles have been siliconed at the bottom.</li></ol> <p><b>Important: This enclosure should be water tested conforming to BS EN 14428</b></p>
<b>Alignment</b>	<ol style="list-style-type: none"><li>1. Check that the Panel is vertical using a spirit level (the bubble must be in the centre of the 2 lines).</li><li>2. Check the Circular Profile has been siliconed onto the Panel properly.</li><li>3. Check that all screws are fully tightened.</li></ol>

### Some important information to help you Maintain your product.

The following information is all you need to keep your product looking new.

Clean your product using a mild detergent diluted in water and then polished off using a soft cloth.

If you live in a hard water area, periodically clean your product using a 50/50 solution of white vinegar and water. The solution should be left on the enclosure for approximately 5 minutes then rinsed off using warm water. This method of cleaning should remove lime scale residue.

### Simple Maintenance

Our products are generally maintenance free, however it may be necessary to lubricate wheel assemblies and other moving parts from time to time.

It is strongly recommended that a quality silicone spray is used.

### A list of Don't's:

1. Don't use acidic based products which are unsuitable for cleaning enamel surfaces.
2. Don't use abrasive cleaners or cleaners using bleach or solvents, these products will adversely affect the finish of the aluminium profiles.
3. Don't use scouring pads, powder or any sharp instruments when cleaning the enclosure.

Should you experience any problems during installation please refer to the Trouble Shooting Guide or contact Customer Relations on:

**+44 (0) 1325 328033**

To enable customer relations to provide you with an excellent level of service it is important that you quote your product Code and Reference Number - these can be found on the Guarantee card.