

PRODUCT DATA SHEET

Momentum Side Panel Pack Brushed Nickel

MO-SIDEPACK-NICKEL

Product Name	MO-SIDEPACK-NICKEL
Product Description	Momentum Side Panel Brushed Nickel
Product Transportation	
Barcode	5060991200624
Country of origin	China
Commodity code	7610100000
Product Measurements	
Product Weight (KG)	1.4
Product Width (mm)	Variable
Product Height (mm)	Variable
Product Depth (mm)	Variable
Primary Packed Measurements	
Packaged Weight	1.6
Packed Height	2020
Packed Width	75
Packed Length	55

General Information	
Construction Material	Aluminum, Plastic
Installation type	Wall Mounted
Colour / Finish	Brushed Nickel
Enclosure Attributes	
Adjustment	N/a
Toughened Glass	N/a
Aqua-Shield (easy clean)	N/a
Hinge Type	N/a
Door Type	N/a
Frame Type	N/a
Glass Type	N/a
Radius	N/a
Entry Width	N/a
Door in swing (°)	N/a
Door Out Swing (°)	N/a
Enclosure Shape	N/a
Glass Thickness (mm)	N/a
Profile Finish / Colour	N/a
Profile Material	N/a

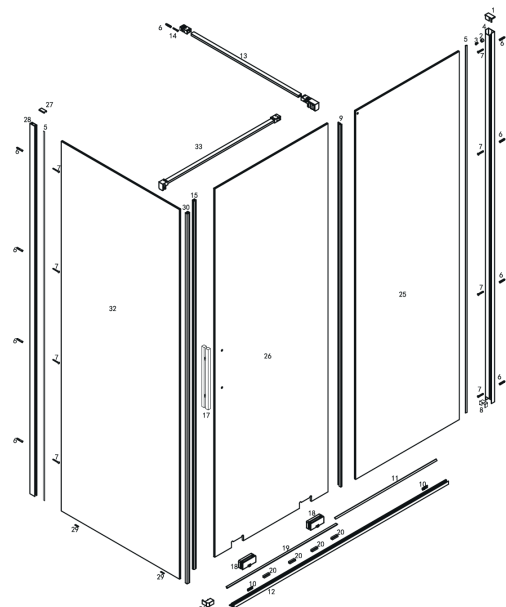


SCUDO
BEAUTIFUL BATHROOMS

0330 124 7290

sales@scudo.co.uk - www.scudo.co.uk

Scudo is the trading name of Harrison Bathrooms Ltd. Whilst we endeavour to ensure that the product information is accurate we accept no liability for any information given. All images are for illustration purposes only. Product images and specification are subject to change. Measurement are in millimetres and are nominal.



Dimensions
(measurements in mm)



LIFETIME GUARANTEE

We are confident in our products and we want our customer to be, we proudly give a lifetime guarantee on our taps and showers, further details can be found on our website