

Inward Folding Bathscreen

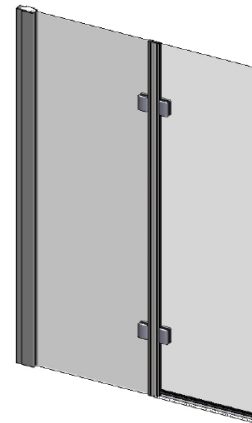
Instruction Manual

N2BV13



PO Box 125, Whitworth Avenue,
Aycliffe Business Park,
Co Durham DL5 6WX

To obtain a copy of the Declaration of Performance for this product, please go to: www.ce-dnp.com, contact us on +44 (0) 1325 326094, or write to us at the above address, quoting the product reference number where possible.



IMPORTANT INFORMATION

Be aware toughened glass can shatter if not handled correctly. It should not be subjected to any sharp impact and it is essential to protect the glass by resting it on a soft protective surface during installation such as cardboard or carpeting. It is recommended to wear PPE at all times during installation.



PRE-INSTALLATION CHECKS

1. Check you have the correct product. Please look at the labels on the side of the product packaging.
2. Check all the product components are in the box and the fixing kits.
3. Unpack your product and handle it with care.
4. Check the product for defects or damage, once the installation has commenced we cannot accept responsibility for any defects or damage.
5. Please take time to read these instructions prior to installing your product.
6. Before you commence any drilling check there are no hidden electrical cables and/or water pipes.
7. No attempt should be made to re-work the toughened safety glass.
8. The installation of the product should be performed by two persons.
9. It is strongly recommended that the walls the product is going to be installed on are vertical.
10. It is strongly recommended the product is fitted on a tiled surface or similar waterproof surface.
11. It is strongly recommended the walls are tiled and grouted before the product is installed.
12. If the walls and/or the tray are not level you will not achieve maximum adjustment of the product.
13. Pictures used are for illustration purposes only, product designs may alter slightly as a result of continuing product development.
14. We do not stipulate where the European Standard Kite Mark should be positioned on the glass when being factory assembled.
15. Please note that some natural misting may occur when you remove this product from its packaging, due to the addition of the glass protection pre-coating. If this does occur this can easily be removed with a soft, dry cloth.

Component Check List: Supplied

Description	Quantity
Bath Screen	1
Wall Profile	1
Wall Profile Cover Plate with Adhesive Strip	1
Aluminium Bottom Strip with Adhesive Strip	1
Bottom Strip End Cap	1
PVC Bottom Seal	1
Magnet Seal Pairing	1

Equipment Check List: Not Supplied

Description
Electric / Battery Drill
6mm Masonry Drill Bit
Bathroom Sealant Gun
Bathroom Sealant
Screwdriver
Spirit Level
Pencil
Additional wall fixings if going into plasterboard

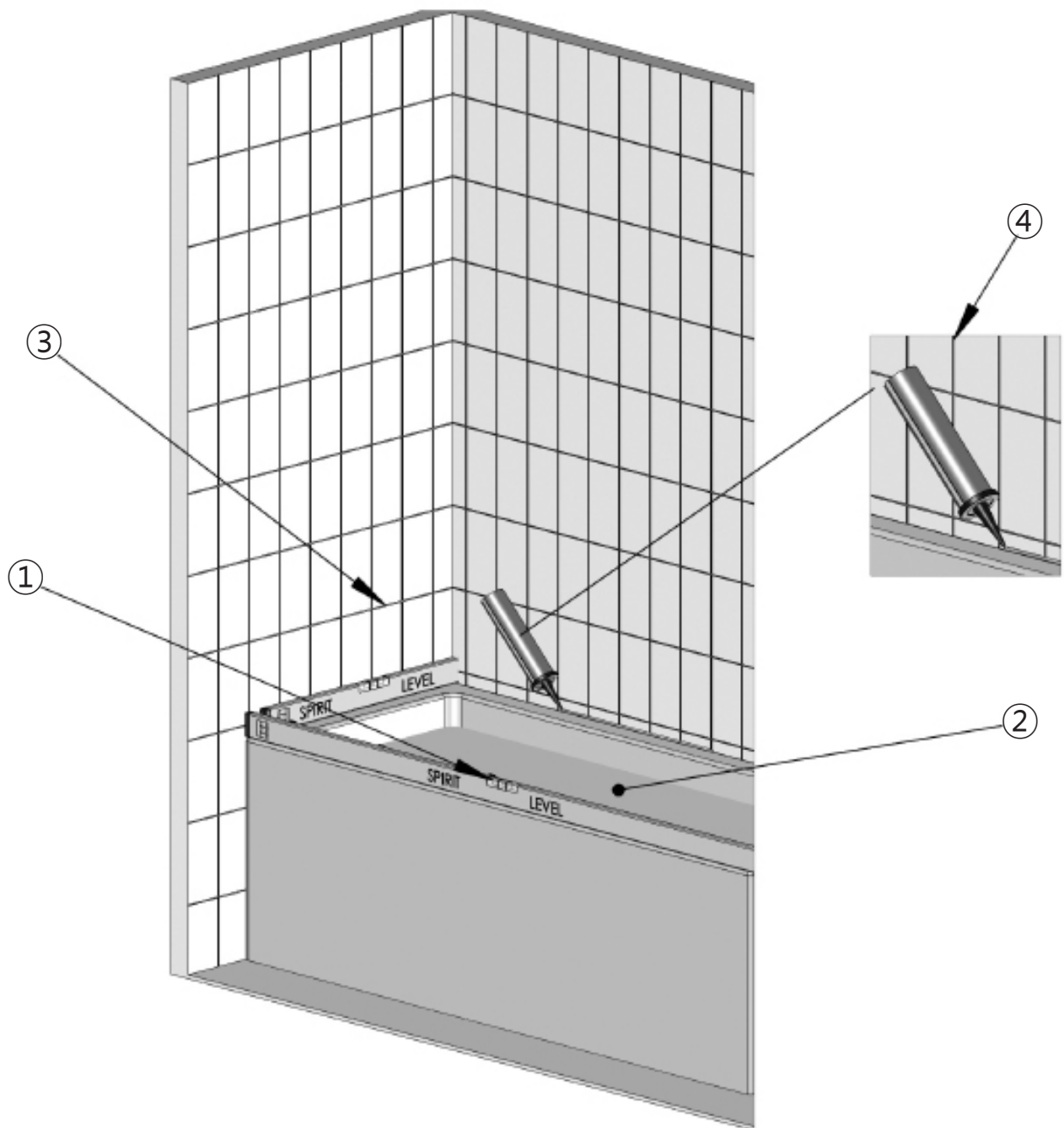
Fixing Kit Components

Description	Quantity
2.5mm Drill Bit	1
40mm Screws	5
9mm Screws	3
Wall Plugs	5
Top Cap	1

CONSUMER GUARANTEE

Please make sure the purchaser/end user completes and returns the guarantee card which is enclosed with this product. Failure to validate the Guarantee will mean only the 1 Year Statutory Guarantee will apply.

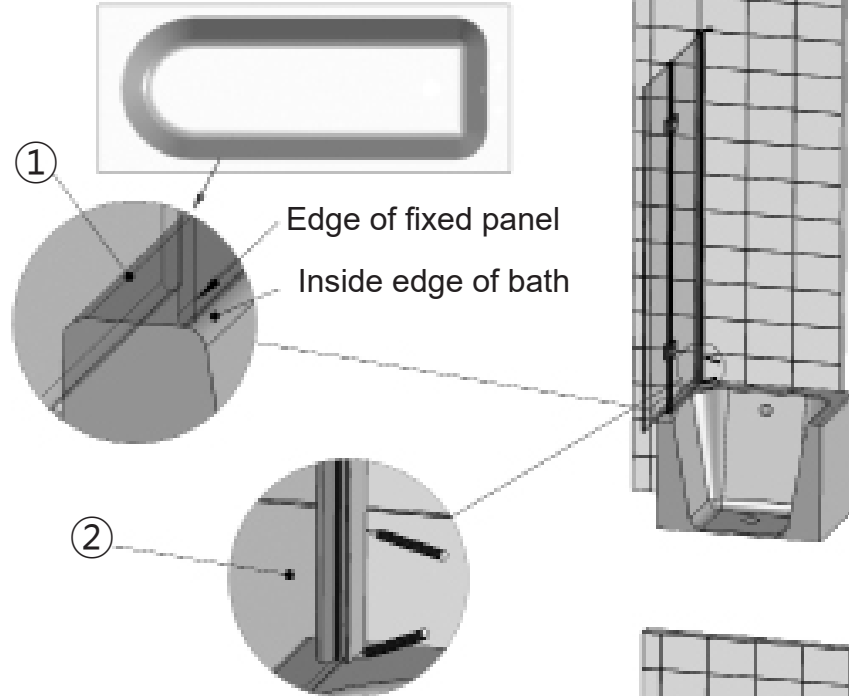
Step 1 - Pre-installation Checks



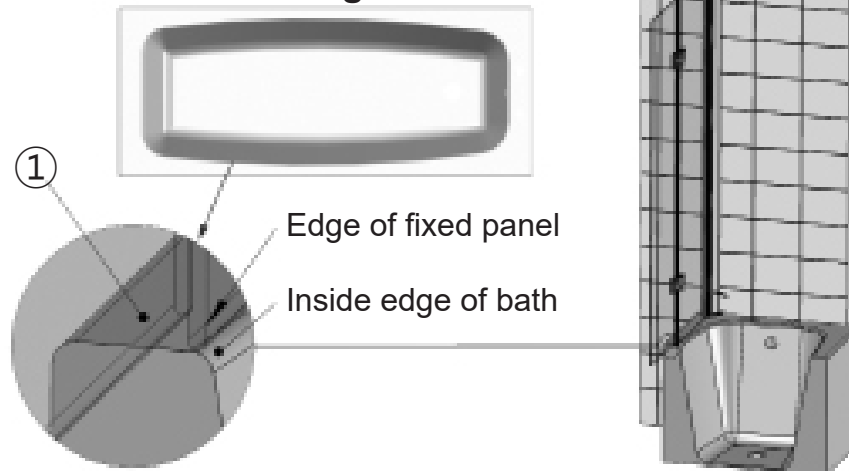
1. Check that the Bath is level on all sides.
 - **The bubble should be in the centre of the 2 lines on the spirit level.**
2. Stand in the bath and check there is no adverse movement.
3. The walls should be tiled and grouted up to the bath.
4. When sealing have the bath full of water and use a good bathroom sealant.
 - **Spray the seal and joints with the shower head and check for leaks after the bathroom sealant has cured.**
 - **Check the plumbing for leaks.**
 - **Do Not plasterboard over the bath.**
 - **Do Not grout the tiles when the enclosure has been fitted, the grout may discolour the aluminium profiles**

Step 2 - Wall Profile Position

Parallel inside edge of the bath

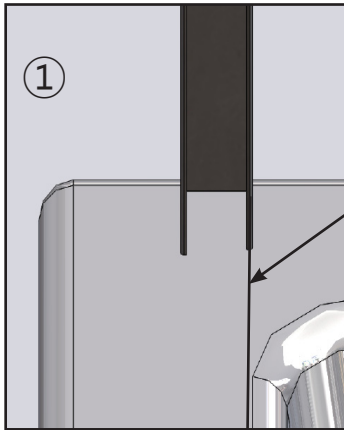


Curved inside edge of the bath

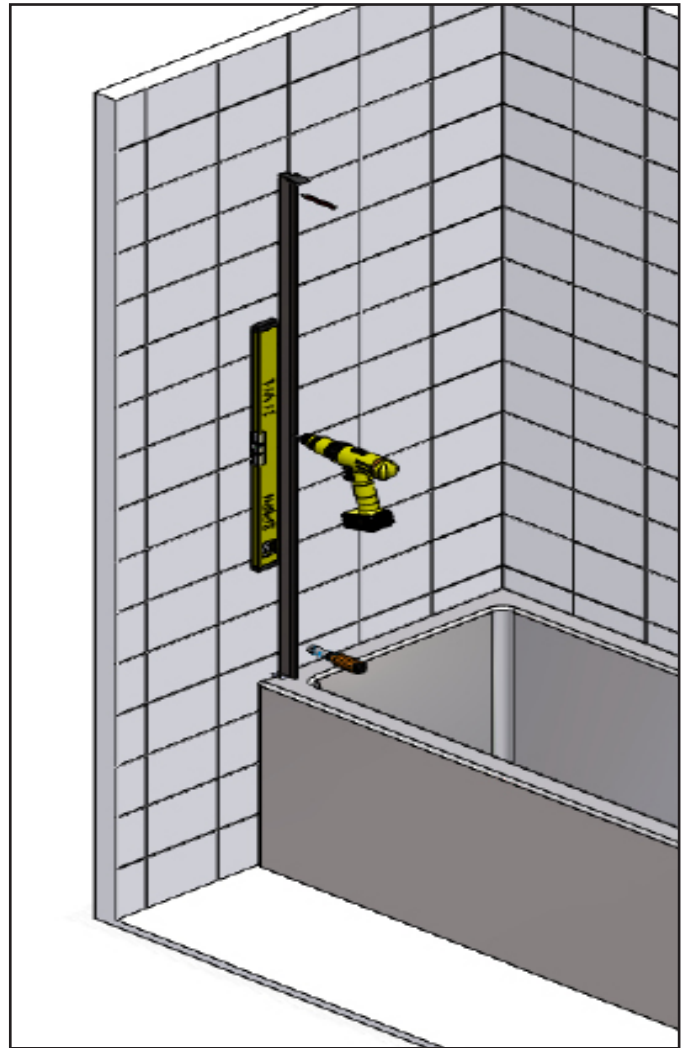
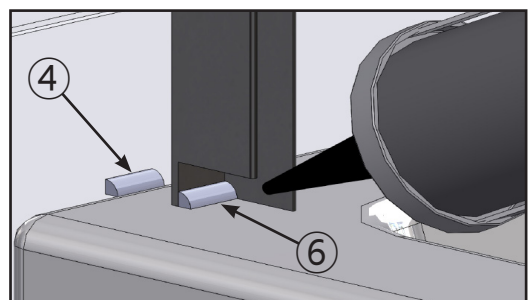
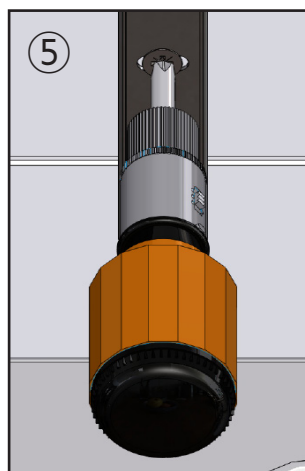
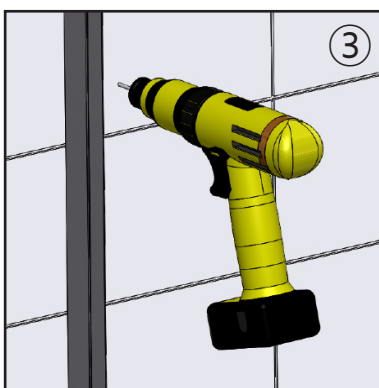
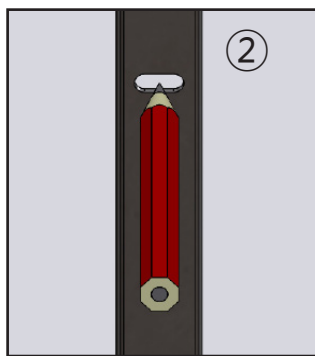
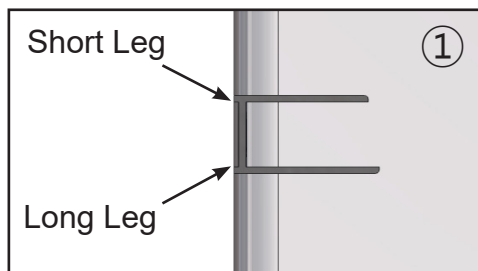


1. Dry fit the folding bath screen on top of the bath, place the leading edge of the fixed panel just over the inside edge of the bath.
 - **You must take into account on the shape of bath you have in regards to placing the fixed panel.**
2. Using a pencil lightly mark where the aluminium vertical profile touches the tiled wall and the bath top, this will determine where you need to fix the wall profile in Step 3.
 - **You must ensure the glass runs parallel to the outside edge of the bath before marking the tiled wall.**
 - **You will need help to hold the screen in position while you mark the tiled wall and bath top.**
 - **IMPORTANT INFORMATION: Failure to fit the fixed panel to the inside edge of the bath top will result in the bath screen leaking and will not be covered under the terms of the guarantee.**

Step 3 - Fixing the Wall Profile

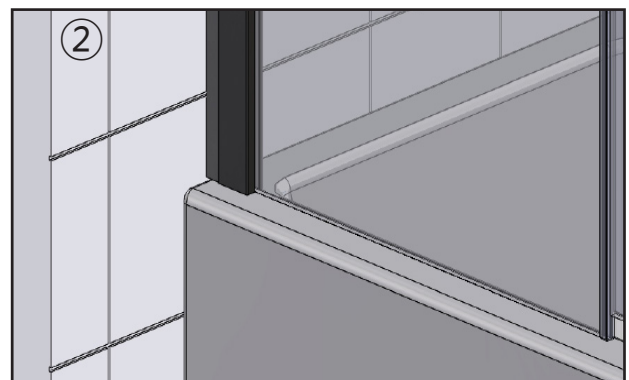
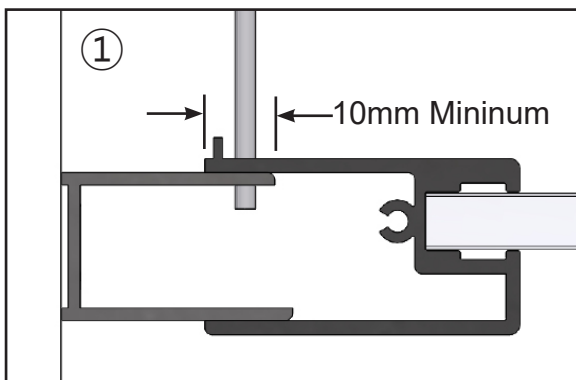
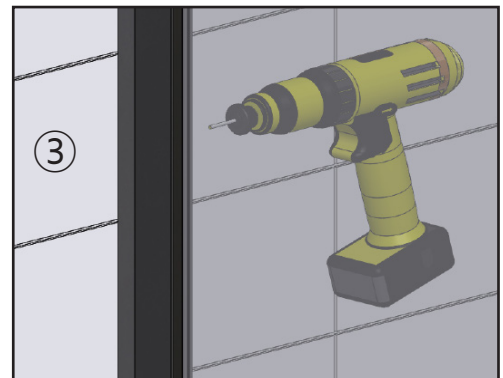
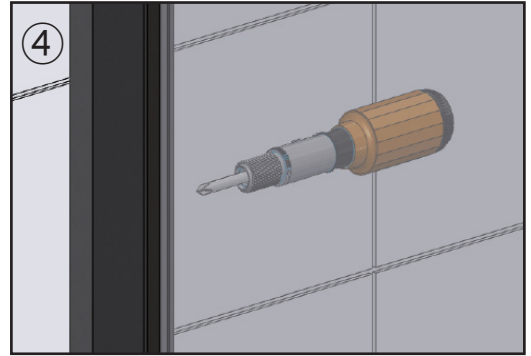
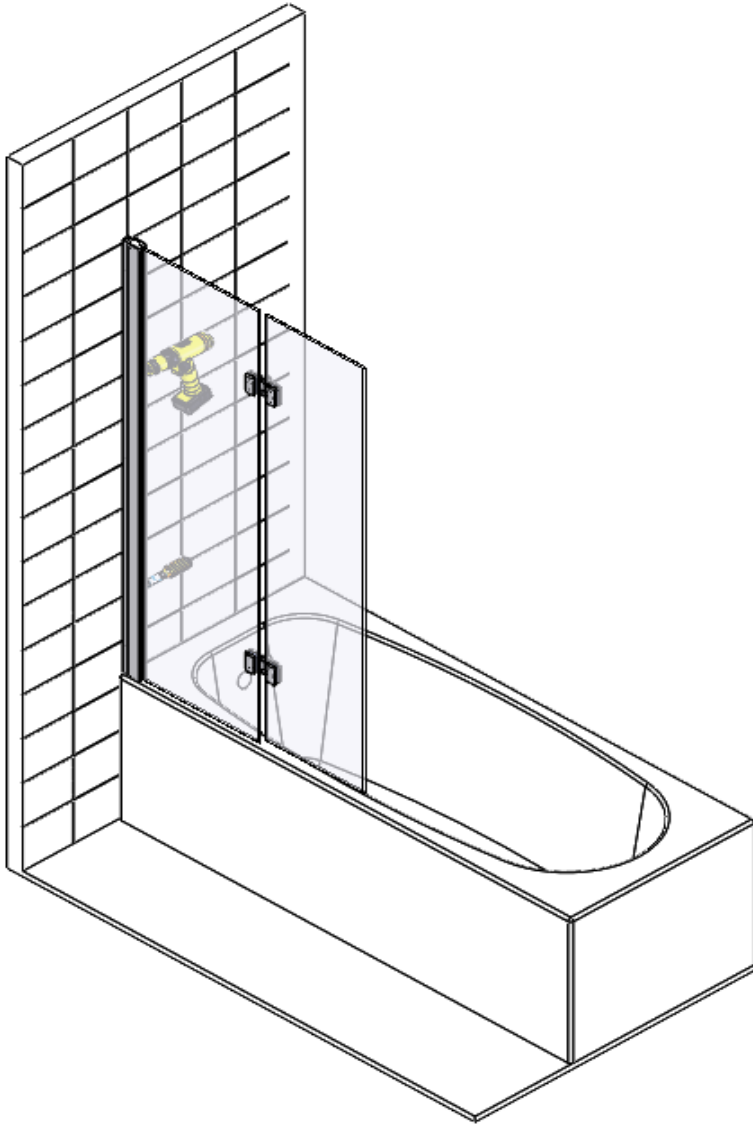


In Line with
Bath Edge



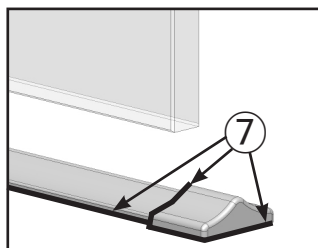
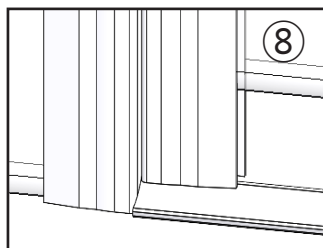
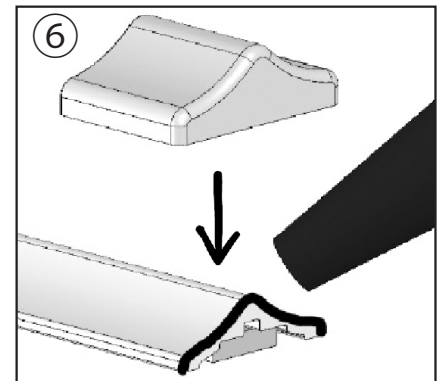
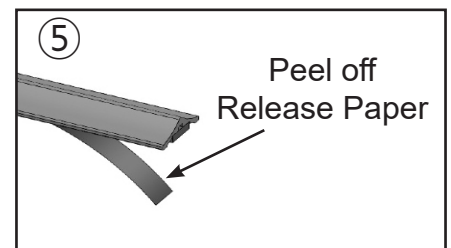
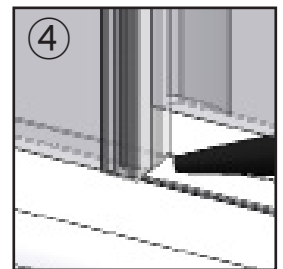
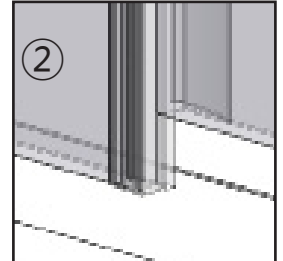
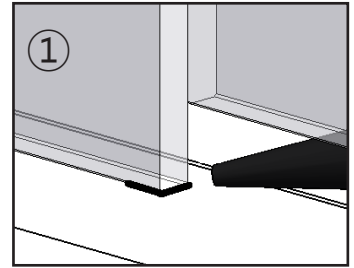
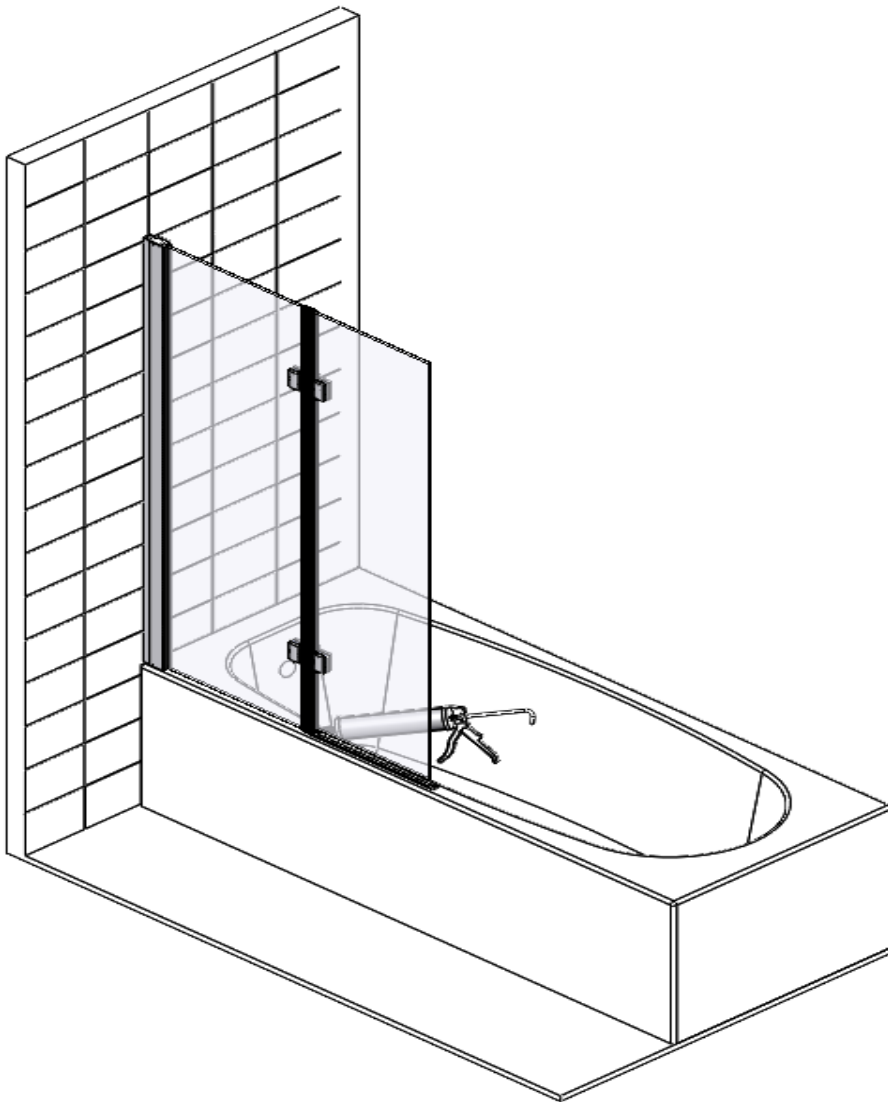
1. Position the inside edge of the wall profile on the pencil mark done in Step 2.
2. Using a spirit level hold the wall profile vertical, mark through the holes for the screw locations.
3. Drill the 5 holes using a 6mm masonry bit (not supplied) and push fit the wall plugs (supplied).
4. Apply a bead of sealant (the width of the wall profile) where the bottom of the wall profile will meet the top of the bath and tiled wall.
5. Screw fix the wall profile using the 40mm screws (supplied).
6. Apply sealant to the inside of the wall profile where it meets the bath.
 - **The wall profile must be vertically level (the bubble must be in the centre of the two lines).**
 - **IMPORTANT INFORMATION: Failure to follow steps 4 and 6 can result in serious water damage and is not covered by the guarantee.**

Step 4 - Locating and Fixing the Folding Bath Screen



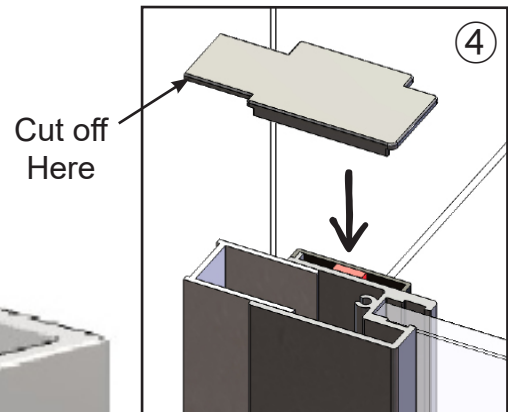
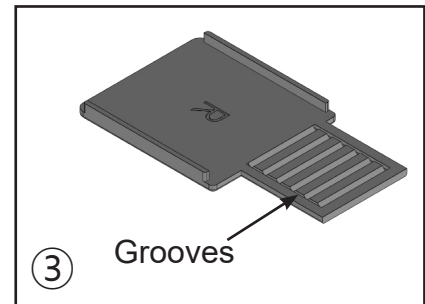
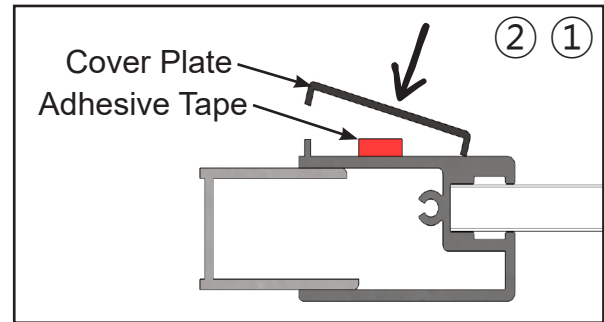
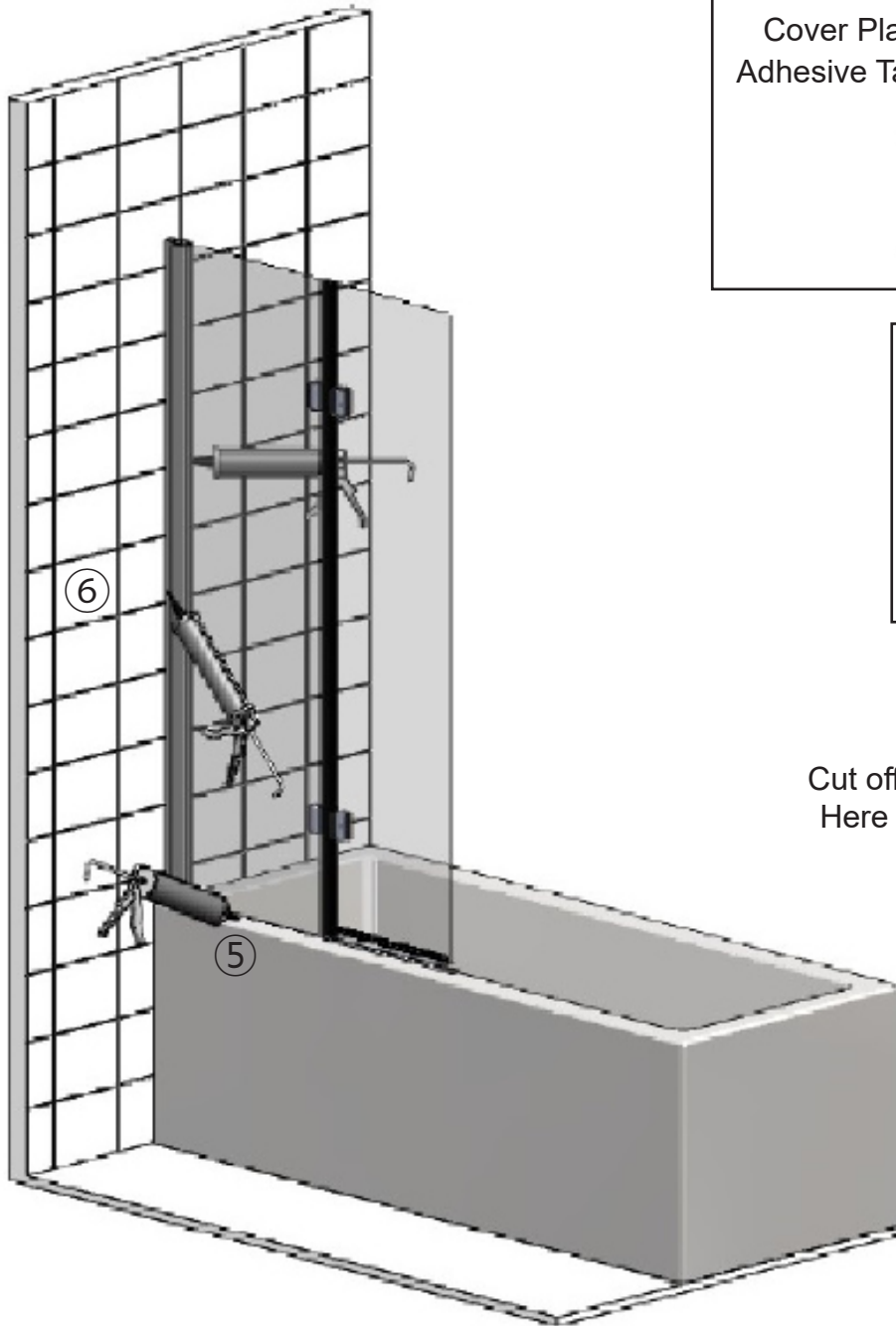
1. Place the bath screen into location on the top of the bath and over the wall profile, 2 people will be required to do this.
 - **NOTE: The Fixed Panel straddles the wall profile and it must overlap by a minimum of 10mm.**
2. Check to see that the glass is sitting fully down on top of the bath and it is parallel to the outside edge of the bath.
3. On the inside of the enclosure, with the 2.5mm drill bit (supplied), drill a hole into the Vertical Frame and Wall Profile approximately 100mm from the top and bottom and one in the centre, so 3 in total.
4. Screw-Fix the screen to the wall profile using the 9mm Screws (supplied).

Step 5 - Fitting the Seals and Bottom Strip



1. Place a small bead of sealant at the base of the fixed panel glass where it meets the bath.
2. Fit one of the magnet seals to the edge of the fixed panel then push the seal down onto the sealant (shorten the seal at the top so that it is level with the glass).
3. Using the alcohol wipe provided to wipe down bath top surface so clear of any debris.
4. Place a bead of sealant at the base of the vertical seal where it meets the bath.
5. Remove the release paper from the aluminium bottom strip and place it up against the vertical seal and onto the top of the bath being careful to keep it in line with the fixed panel, gently press down.
6. On the aluminium bottom strip (opposite end to the vertical seal) apply a small bead of sealant to the top edge, and then gently but firmly place the bottom strip end cap in place.
7. Seal the aluminium bottom strip and end cap horizontally along the bath.
 - Use only a small bead of sealant as too much will become messy and spoil the appearance
8. Fit the other magnet seal to the edge of the pivoting panel then push the seal down so that it sits on top of the aluminium bottom strip (shorten the seal at the top so that it is level with the glass).

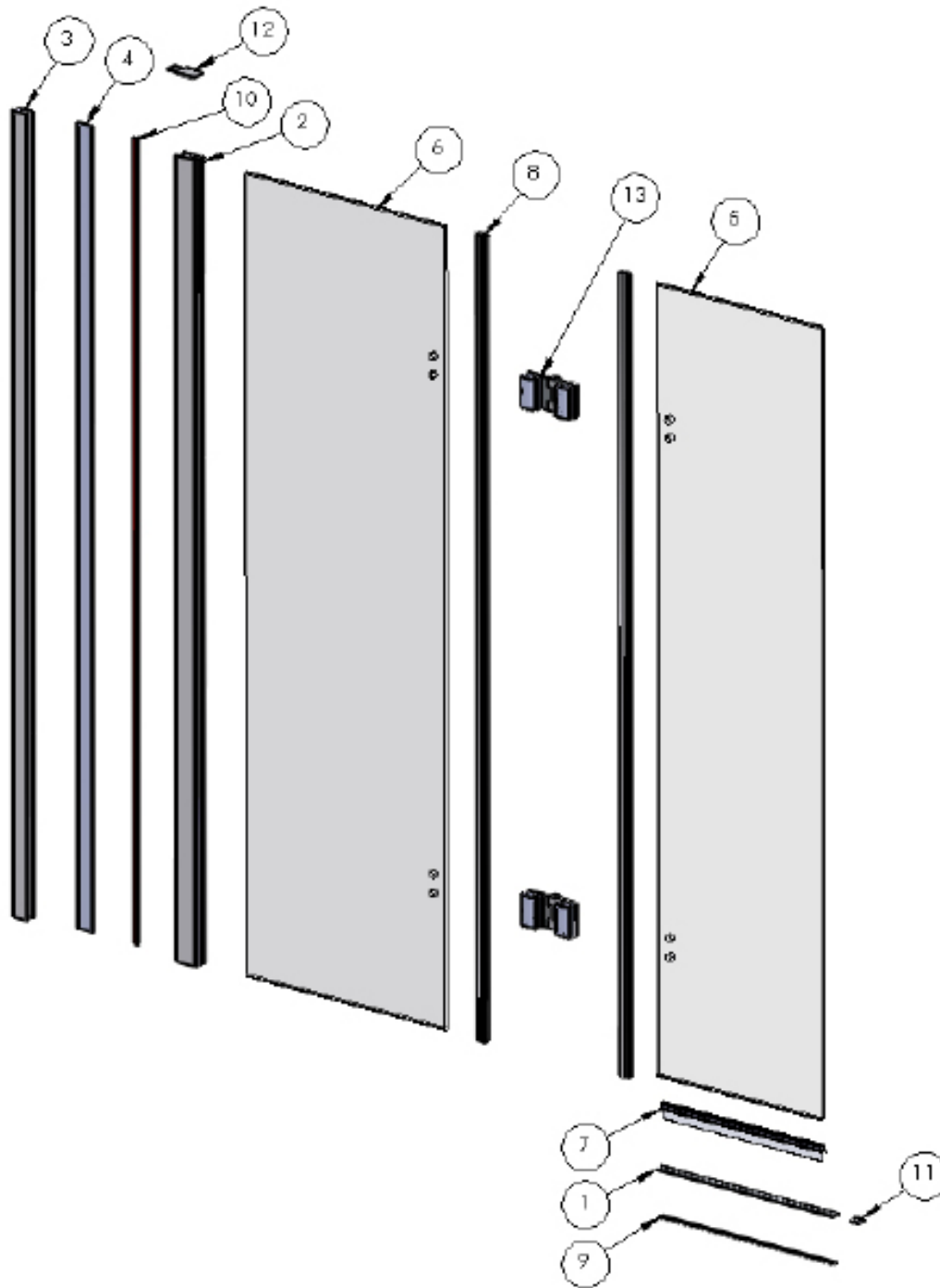
Step 6 - Fixing the Cover Trim, Caps and Sealing



1. Remove the release paper from the Adhesive Tape supplied and place the Tape on the face of the Vertical Frame, ensuring the Tape is positioned to one side of the screw heads.
2. Place one side of the Cover Strip over the leg on the Vertical Frame and press firmly to stick the Cover Strip to the Frame.
3. The Top Caps have grooves and can be shortened by cutting along these grooves using scissors or snips (adding a small amount of sealant will help keep the caps in place).
4. Securely place top cap on top of the vertical (R and L on the inside of the caps indicate the handing of the caps looking from the outside of the bath screen).
5. Seal horizontally along the aluminium profile and the glass fixed panel on the outside of the screen where they meet the bath top and tiles.
6. Seal vertically the full length of the wall profile trim where it meets the tiles on the inside of the screen. Also seal vertically the full length of the wall profile where it meets the tiles on the outside of the screen using bathroom sealant.
 - **IMPORTANT:** Failure to follow the procedure on Steps 3 & 4 can result in serious water damage and is not covered by the guarantee.

Spare Parts

If you need to replace any damaged parts please see illustration below for parts list then call Customer Relations on 01325 328033



Part No.	Description	Q'ty	Part No.	Description	Q'ty
1	Bath Top Strip	1	10	Cover Plate Adhesive Strip	1
2	Aluminum Vertical (Bonded to Fixed Glass)	1	11	Bath Top Strip End Cap	1
3	Wall Profile	1	12	Top Cap	1
4	Cover Plate	1	13	Hinges	2
5	Hinge Panel Glass	1			
6	Fixed Panel Glass	1			
7	PVC Bottom Seal	1			
8	Magnet Pairing	1			
9	Bath Top Strip Adhesive Strip	1			

TROUBLE SHOOTING GUIDE

Problem	Solution
Leaking	<ol style="list-style-type: none">1. Check you have sealed the screen correctly as per instructions:2. The bath and tiles should be sealed prior to fitting the screen (Step 1).3. The width of the wall profile at the bottom where it meets the tiled wall and bath top (Step 3).4. Inside the wall profile where it meets the bath top (Step 3).5. Vertically on the inside the full length of the wall profile trim where it meets the tiled wall (Step 6).6. Vertically on the outside the full length of the wall profile where it meets the tiled wall (Step 6).7. Horizontally along the aluminium profile and the glass fixed panel on the outside where it meets the tiles and bath top (Step 6).8. Ensure the leading edge of the glass fixed panel is situated just over the inside edge of the bath (Step 2).9. Ensure the bottom seal on the moveable panel is pushed up against the vertical seal and the deflector strip is facing the inside of the bath (Step 5). <p>Important: This enclosure should be water tested conforming to BS EN 14428</p>
Enclosure Alignment on the Bath	<ol style="list-style-type: none">1. Check the wall profile has installed as per the instructions.2. Make sure the wall profile is fitted vertical (Step 3).3. Check to see if the Fixed Panel is sitting fully down on top of the bath.4. Check the Bath installation (Step 1).

Please Note

If you attach or hang items, such as shampoo holders, shower baskets etc. onto this shower enclosure, please ensure all edges, that make contact with the glass, are well protected with a soft material such as rubber/ plastic.

Failure to do so may result in damage to the glass or even glass breakage. Bathroom accessory holders such as shower baskets should NOT be over loaded, which can stress the bare edges of the glass.

Bathroom accessory holders, such as Shower baskets, should not be placed where they could interfere with the operation of the enclosure or come into contact with moving parts.

Important information to help you Maintain your product

The following information is all you need to keep your product looking new.

Clean your product using a mild detergent diluted in water and then polished off using a soft cloth.

If you live in a hard water area, periodically clean your product using a 50/50 solution of white vinegar and water. The solution should be left on the enclosure for approximately 5 minutes then rinsed off using warm water. This method of cleaning should remove lime scale residue.

Our products are generally maintenance free, however it may be necessary to lubricate wheel assemblies and other moving parts from time to time.

It is strongly recommended that a quality silicone spray is used.

A list of Don'ts

1. Don't use acidic based products which are unsuitable for cleaning enamel surfaces.
2. Don't use abrasive cleaners or cleaners using bleach or solvents, these products will adversely affect the finish of the aluminium profiles.
3. Don't use scouring pads, powder or any sharp instruments when cleaning the enclosure.

Should you experience any problems during installation please refer to the Trouble Shooting Guide or contact Customer Relations on:

+44 (0) 1325 328033

To enable customer relations to provide you with an excellent level of service it is important that you quote your product Code and Reference Number - these can be found on the Guarantee card.