

Thermostatic Valves

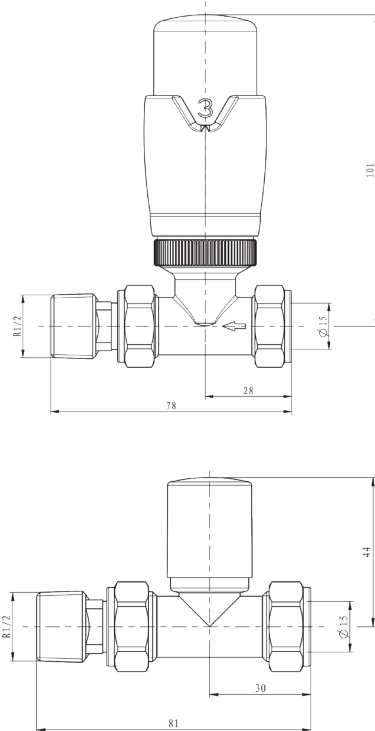
Thermostatic valves are typically used for regulating the fluid of the radiators of central heating systems. They are provided with a regulating element which automatically controls the opening of the valve to keep the ambient temperature of the room where they are installed constant at the set valve.

The number in the valve corresponds to a specific air temperature. Once you have selected a number, thermostatic valve will maintain the temperature. This prevents unwanted temperature rises and achieves considerable energy saving.

- Thermostatic head and reversible bi-directional body
- Built in sensor with liquid element
- Graduated scale from 0 to 5 corresponding to temperature setting ranges from 7°C to 28°C with frost protection setting
- Fully tested to 10 bar
- Max pressure difference: 0.8bar
- Nominal flow rate 173kgs/h
- Max flow temperature 120°C
- Can be mounted horizontally or vertically

0	1	2	3	4	5
7°C	11 - 13°C	15 - 17°C	19 - 21°C	23 - 25°C	29 - 29°C

Straight TRV Valve



Angled TRV Valve

