

# AQUALISA

## S1 DUAL OUTLET SMART SHOWER

WITH WI-FI CONNECTED TECHNOLOGY AND LIGHT DIAL,  
ADJUSTABLE HANDSET AND FIXED WALL HEAD  
HP / COMBI / BOOSTED GRAVITY

Chrome / Matt Black / Brushed Brass / Gunmetal Grey

S1C.HW.U

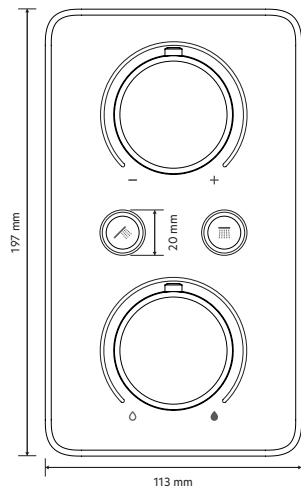
S1MB.HW.U

S1BB.HW.U

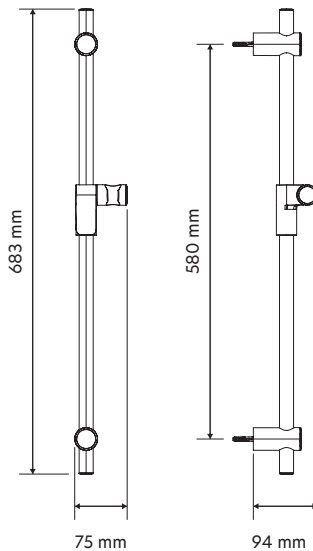
S1GG.HW.U

### DIMENSIONAL DRAWINGS

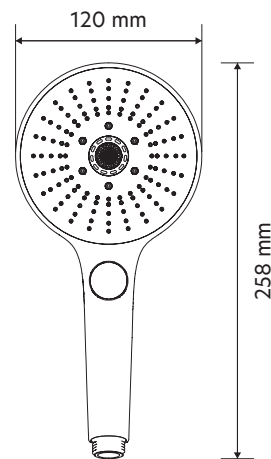
S1 Dual Outlet Controller



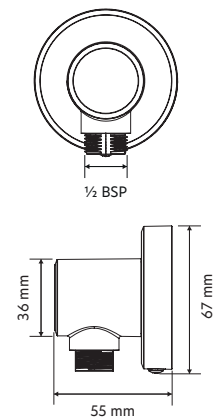
Rail Kit



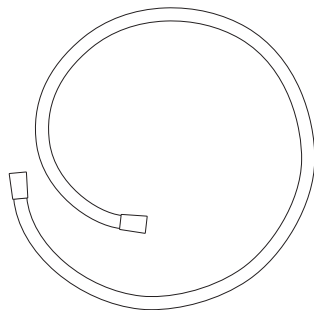
120mm Adjustable Handset



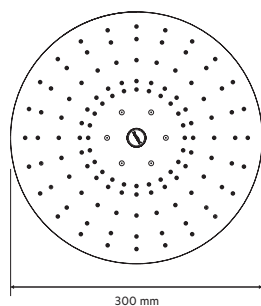
Wall Outlet



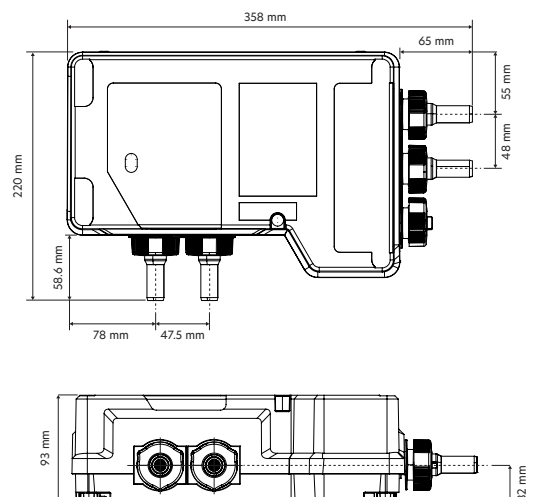
1.5m Hose



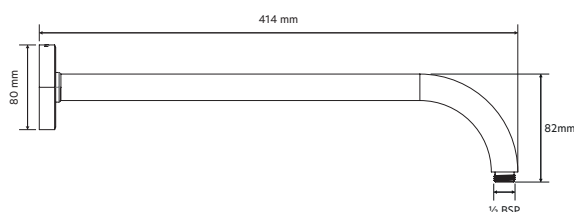
300mm Drencher



Un-Pumped Dual Outlet SmartValve™  
HP / Combi / Boosted gravity



Wall Arm



# AQUALISA

## S1 DUAL OUTLET SMART SHOWER

S1C.HW.U

1MB.HW.U

S1BB.HW.U

S1GG.HW.U

WITH WI-FI CONNECTED TECHNOLOGY AND LIGHT DIAL,  
ADJUSTABLE HANDSET AND FIXED WALL HEAD  
HP / COMBI / BOOSTED GRAVITY

Chrome / Matt Black / Brushed Brass / Gunmetal Grey

### TECHNICAL SPECIFICATIONS

Minimum operating pressure	1 Bar
Maximum operating pressure	5 Bar
Aqualisa SmartValve™ inlet fitting connections	15mm push fit fittings, valve inlet centres 47.5mm, inlet supply positions - hot right, cold left
Aqualisa SmartValve™ outlet fitting connection	15mm push fit
Permissible Aqualisa SmartValve™ siting location	Loft, airing cupboard, under bath
Supply temperature	Cold inlet temperature 1°C (minimum) Cold inlet temperature 15°C (maximum) Hot inlet temperature 65°C (maximum)
Water system	HP / Combi / Boosted gravity
Features	Temperature and flow control dial with lighting indication
	Illuminated push buttons
	Metal faceplate and dials including mood backlighting, adjustable via app
	Lighting indicator to let you know when your chosen temperature has been reached
	Wifi, Mobile App, Google Home & Amazon Alexa enabled to allow you to control your shower remotely
	300mm Fixed and 120mm 3 spray adjustable head with push button spray selector
	Optional wireless remote for on/off control
Guarantee period	5-year guarantee - shower unit
	2-year guarantee - shower head and kit
Approvals	CE Marking
	UKCA
	BEAB