

AQUALISA

S1 SINGLE OUTLET SMART SHOWER

WITH WI-FI CONNECTED TECHNOLOGY AND LIGHT DIAL,
ADJUSTABLE HANDSET
GRAVITY

Chrome / Matt Black / Brushed Brass / Gunmetal Grey

S1C.H.P

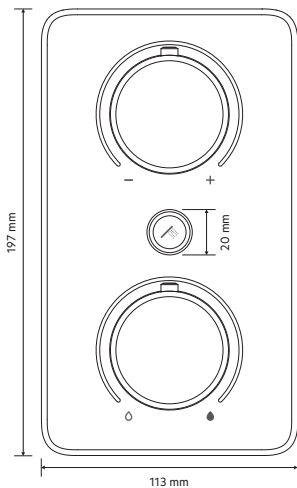
S1MB.H.P

S1BB.H.P

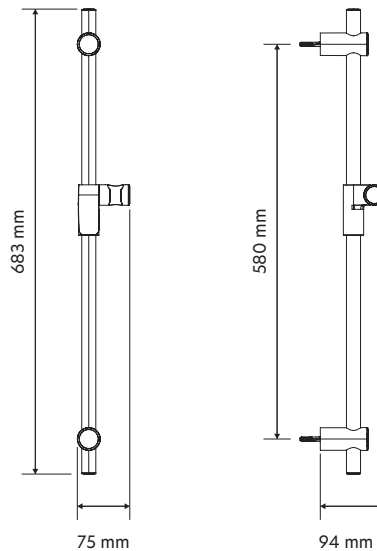
S1GG.H.P

DIMENSIONAL DRAWINGS

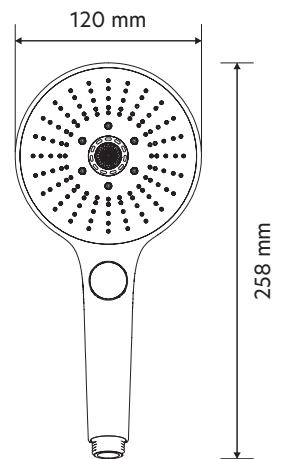
S1 Single Outlet Controller



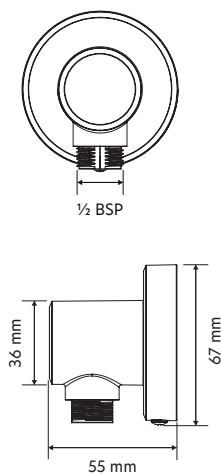
Rail Kit



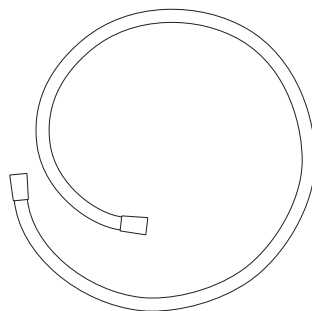
120mm Adjustable Handset



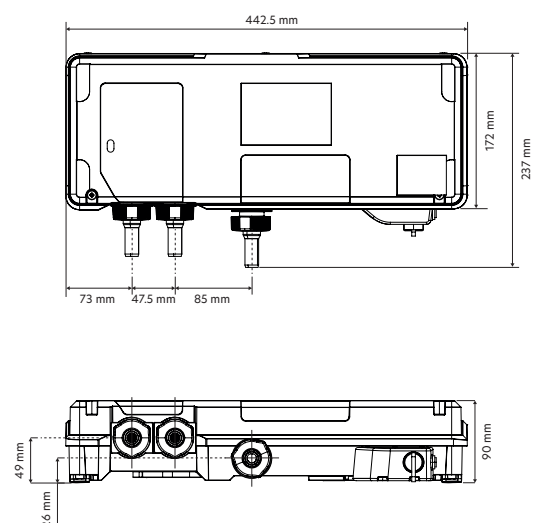
Wall Outlet



1.5m Hose



Pumped Single Outlet SmartValve™ - Gravity



AQUALISA

S1 SINGLE OUTLET SMART SHOWER

WITH WI-FI CONNECTED TECHNOLOGY AND LIGHT DIAL,
ADJUSTABLE HANDSET
GRAVITY

Chrome / Matt Black / Brushed Brass / Gunmetal Grey

S1C.H.P

S1MB.H.P

S1BB.H.P

S1GG.H.P

TECHNICAL SPECIFICATIONS

Minimum pressure requirements	For optimal performance the Aqualisa SmartValve™ should be sited 1m below the base level of the cold water system (Gravity)
Maximum pressure requirements	1 Bar (Gravity)
Aqualisa SmartValve™ inlet fitting connections	15mm push fit fittings, valve inlet centres 47.5mm, inlet supply positions – hot right, cold left
Aqualisa SmartValve™ outlet fitting connection	15mm push fit
Permissible Aqualisa SmartValve™ siting location	Airing cupboard, under bath, loft
Supply temperature	Cold inlet temperature 1°C (minimum) Cold inlet temperature 15°C (maximum) Hot inlet temperature 65°C (maximum)
Water system	Gravity
Features	Temperature and flow control dial with lighting indication
	Illuminated push buttons
	Metal faceplate and dials including mood backlighting, adjustable via app
	Lighting indicator to let you know when your chosen temperature has been reached
	Wifi, Mobile App, Google Home & Amazon Alexa enabled to allow you to control your shower remotely
	120mm 3 spray adjustable head with push button spray selector
Guarantee period	5-year guarantee - shower unit
	2-year guarantee - shower head and kit
Approvals	CE Marking
	UKCA
	BEAB