

# PRODUCT DATA SHEET

## Shelph 1200 - Wall Mounted Shelf

Product Code: SHELPH-1200-OAK



0330 124 7290

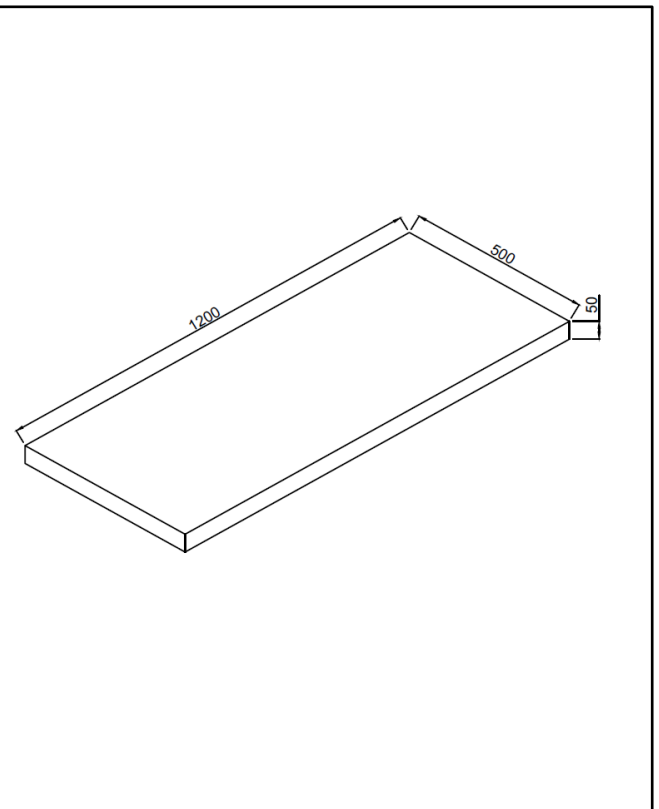
[sales@scudo.co.uk](mailto:sales@scudo.co.uk) [www.scudo.co.uk](http://www.scudo.co.uk)

**SCUDO**  
BEAUTIFUL BATHROOMS

Scudo is the trading name of Harrison Bathrooms Ltd. Whilst we endeavor to ensure that the product information is accurate, we accept no liability for any information given. All images are for illustration purposes only. Product images and specification are subject to change. Measurements are in millimeters and are nominal.

Product Name	Shelph 1200 - Wall Mounted Shelf
Product Description	SHELPH-1200-OAK
Product Transportation	
Barcode	5060991200969
Country of origin	China
Commodity code	9403609000
Product Measurements	
Product Weight (KG)	10
Product Width (mm)	1200
Product Height (mm)	50
Product Depth (mm)	500
Primary Packed Measurements	
Packaged Weight	11
Packed Length	530
Packed Width	1235
Packed Height	80

General Information	
Construction Material	MFC
Installation type	Wall Mounted
Colour / Finish	Oak
Furniture Attributes	
Installation Type	Load Bearing Walls Only
Number Of Brackets Required	2-4
Moisture Resistant	Yes



### Dimensions

(Measurements in mm)



#### LIFETIME GUARANTEE

We are confident in our products and we want our customer to be, we proudly give a lifetime guarantee on our taps and showers. further details can be found on our website.