

# PRODUCT DATA SHEET

## Shelph – Shelf Brackets

Product Code: SHELPH-BRA-BLACK



**SCUDO**  
BEAUTIFUL BATHROOMS

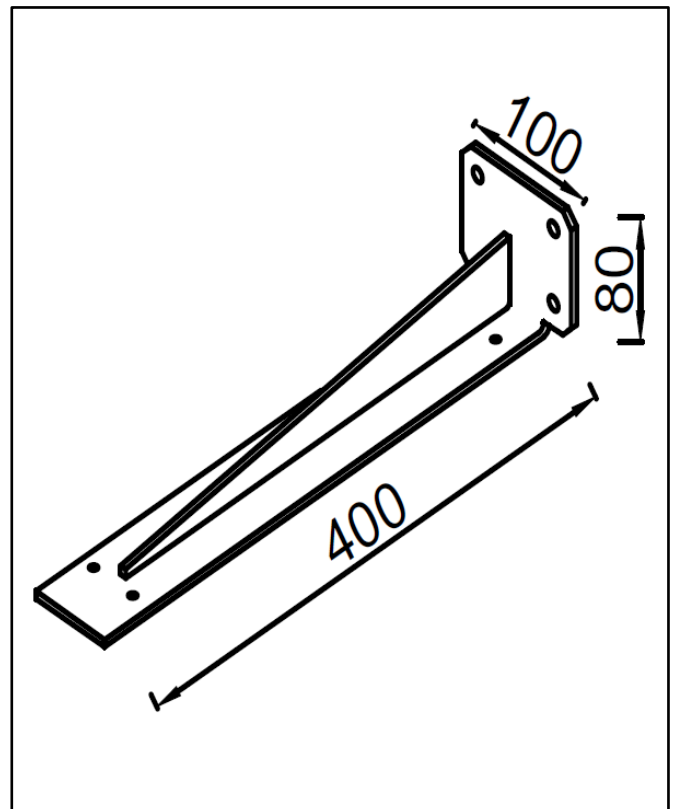
0330 124 7290

[sales@scudo.co.uk](mailto:sales@scudo.co.uk) [www.scudo.co.uk](http://www.scudo.co.uk)

Scudo is the trading name of Harrison Bathrooms Ltd. Whilst we endeavour to ensure that the product information is accurate, we accept no liability for any information given. All images are for illustration purposes only. Product images and specification are subject to change. Measurements are in millimetres and are nominal.

Product Name	SHELPH-BRA-BLACK
Product Description	Shelph – Shelf Brackets
Product Transportation	
Barcode	5060991200976
Country of origin	China
Commodity code	9403609000
Product Measurements	
Product Weight (KG)	2
Product Width (mm)	100
Product Height (mm)	80
Product Depth (mm)	400
Primary Packed Measurements	
Packaged Weight	2.5
Packed Length	420
Packed Width	115
Packed Height	110

General Information	
Construction Material	Steel
Installation type	Wall Mounted
Colour / Finish	Black



### Dimensions

(Measurements in mm)



#### LIFETIME GUARANTEE

We are confident in our products and we want our customer to be, we proudly give a lifetime guarantee on our taps and showers. further details can be found on our website.