

PRODUCT DATA SHEET

Shelph 800 – Drawer Unit

Product Code: SHELPH-ST-800-WHITE



0330 124 7290

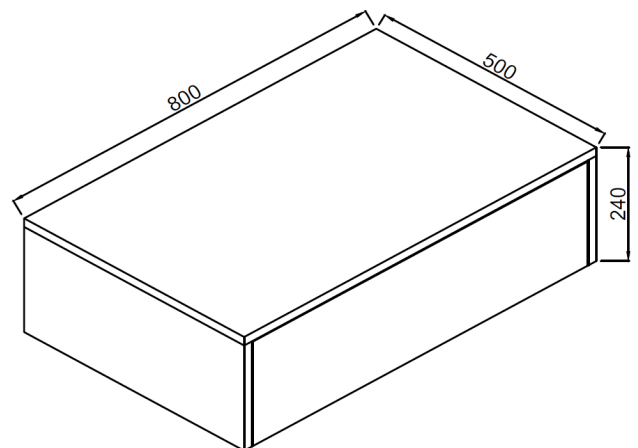
sales@scudo.co.uk www.scudo.co.uk

SCUDO
BEAUTIFUL BATHROOMS

Scudo is the trading name of Harrison Bathrooms Ltd. Whilst we endeavor to ensure that the product information is accurate, we accept no liability for any information given. All images are for illustration purposes only. Product images and specification are subject to change. Measurements are in millimeters and are nominal.

Product Name	Shelph 800 - Drawer Unit
Product Description	SHELPH-ST-800-WHITE
Product Transportation	
Barcode	5060991220073
Country of origin	China
Commodity code	9403609000
Product Measurements	
Product Weight (KG)	25
Product Width (mm)	800
Product Height (mm)	240
Product Depth (mm)	500
Primary Packed Measurements	
Packaged Weight	26.8
Packed Length	270
Packed Width	835
Packed Height	270

General Information	
Construction Material	Painted MDF
Installation type	Wall Mounted
Colour / Finish	White
Furniture Attributes	
Brackets Supplied	Yes
Drawer Type	Push To Open/ Push To Close
Moisture Resistant	Yes



Dimensions

(Measurements in mm)



LIFETIME GUARANTEE

We are confident in our products and we want our customer to be, we proudly give a lifetime guarantee on our taps and showers. further details can be found on our website.