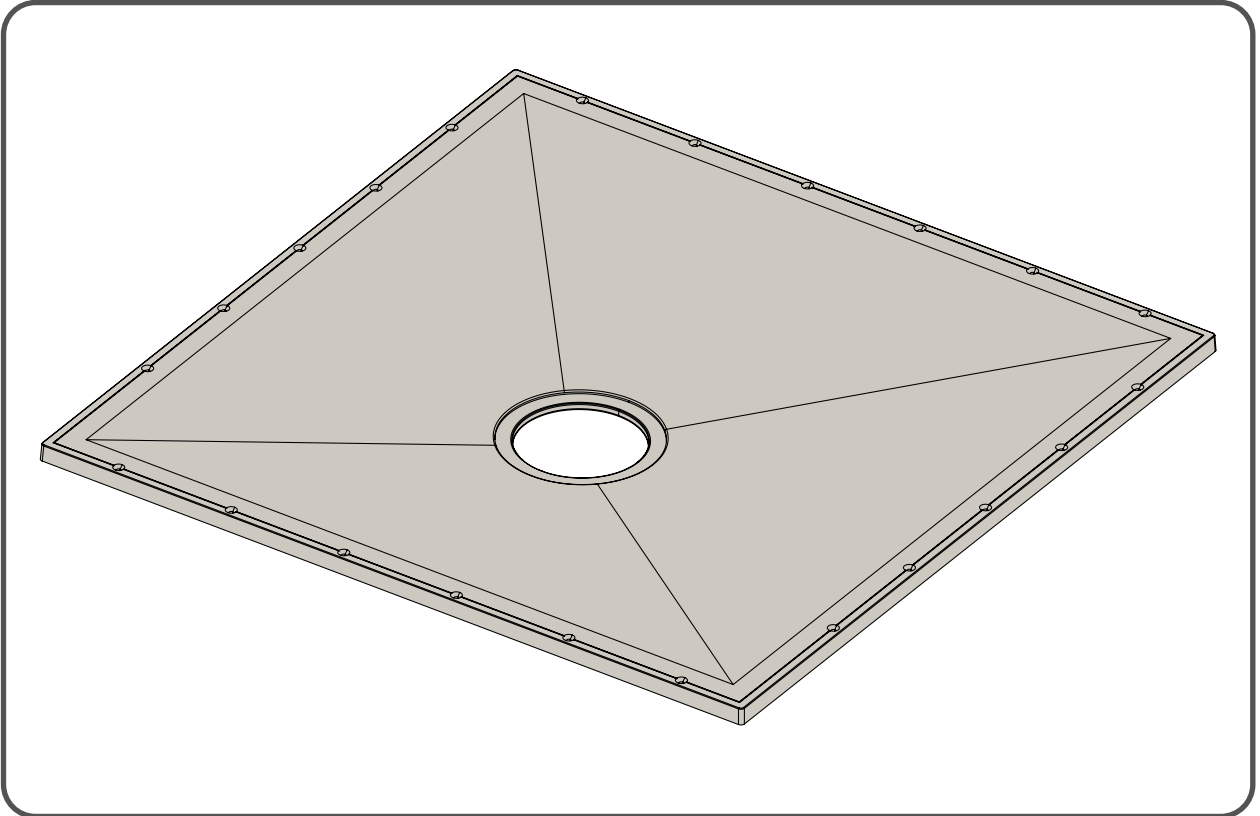


INSTALLATION GUIDE

LEVEL-DEC SOLIDFIT



PLEASE RECYCLE THE LEVEL-DEC SOLIDFIT PACKAGING.

LEVEL-DEC SOLIDFIT COMPONENT LIST

Safety: Please read these installation instructions carefully before proceeding.

PLEASE LEAVE THESE INSTRUCTIONS WITH THE END USER.

Incorrect installation will invalidate guarantee.

Make sure there are no hidden pipes or cables in the floor or walls where you intend to drill.

Wear safety goggles, shoes and appropriate clothing.

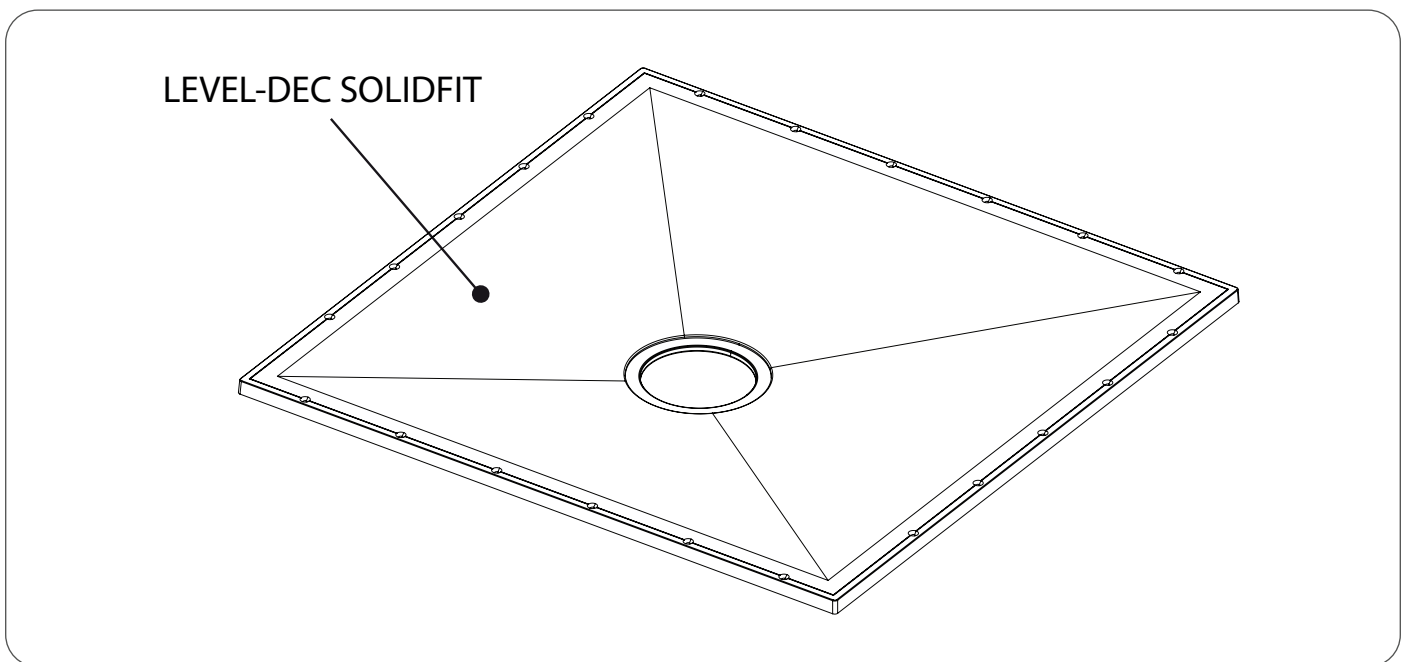
PLEASE REFER TO THE LATEST BUILDING REGULATIONS REVISION BEFORE INSTALLING THE LEVEL-DEC SOLIDFIT.

READ THROUGH THE FITTING INSTRUCTIONS AND FAMILIARISE YOURSELF WITH THE INSTALLATION OF THE LEVEL-DEC SOLIDFIT BEFORE COMMENCING THE INSTALLATION.

The Level-Dec SolidFit is suitable for installation on concrete floor and underboarded floor joist construction **ONLY**.

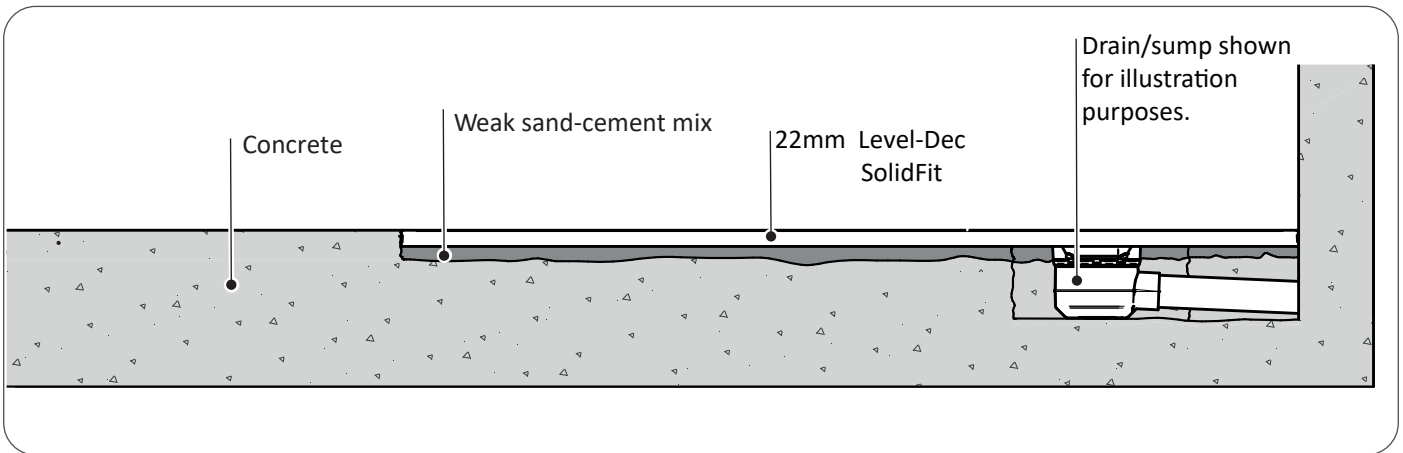
The Level-Dec SolidFit is available in a variety of sizes. Please refer to technical data sheet for their sizes and flow rates.

Please note: Recommended flow rate for this product is no greater than 32.5 l/min. Ensure your shower unit does not exceed this.

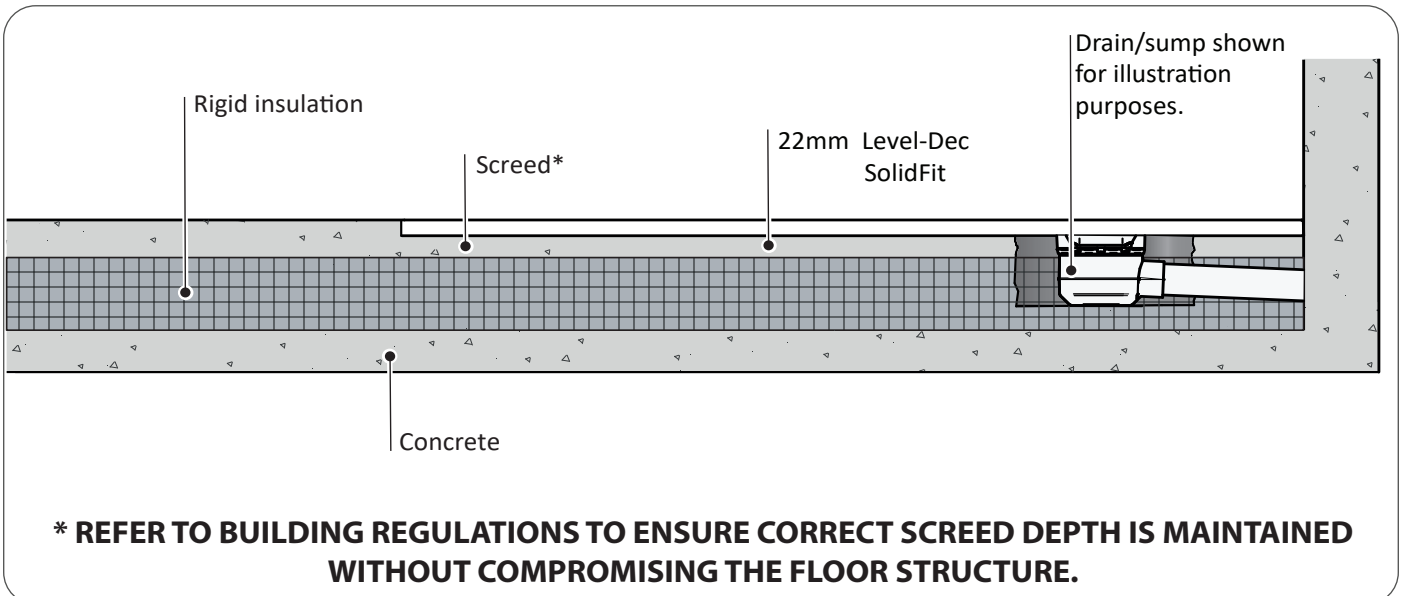


PLANNING

1. CROSS SECTION OF DEC AND SOLID CONCRETE FLOOR

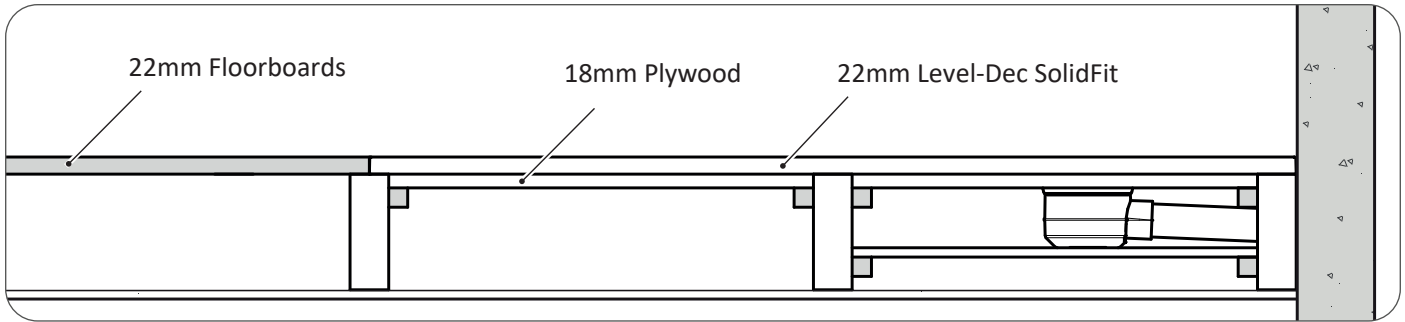


2. CROSS SECTION OF DEC AND INSULATED CONCRETE FLOOR

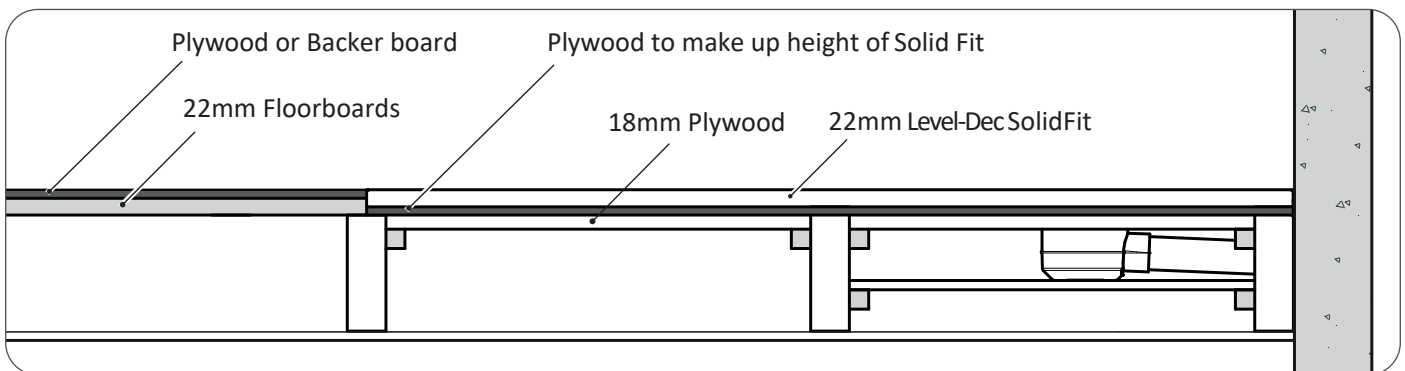


PLANNING

3. CROSS SECTION OF DEC AND JOISTS (STANDARD INSTALLATION)



4. CROSS SECTION OF DEC AND JOISTS (PLYWOOD/BACKER BOARD INSTALLATION)



This stage may not be relevant in all installations. In some situations additional treatment will need to be carried out to the existing timber floor, this may require the floor to be overlaid with a tile backer board or suitable plywood. Refer to the relevant British Standard codes of practice and the tile adhesive manufacturer's recommendation for more information. If the floor does need to be overlaid then the Level-Dec SolidFit will need to be raised so that it remains flush with the surrounding floor. This can be done by simply inserting a sheet of plywood of suitable thickness on top of the 18mm platform already created.

5. TRIMMING

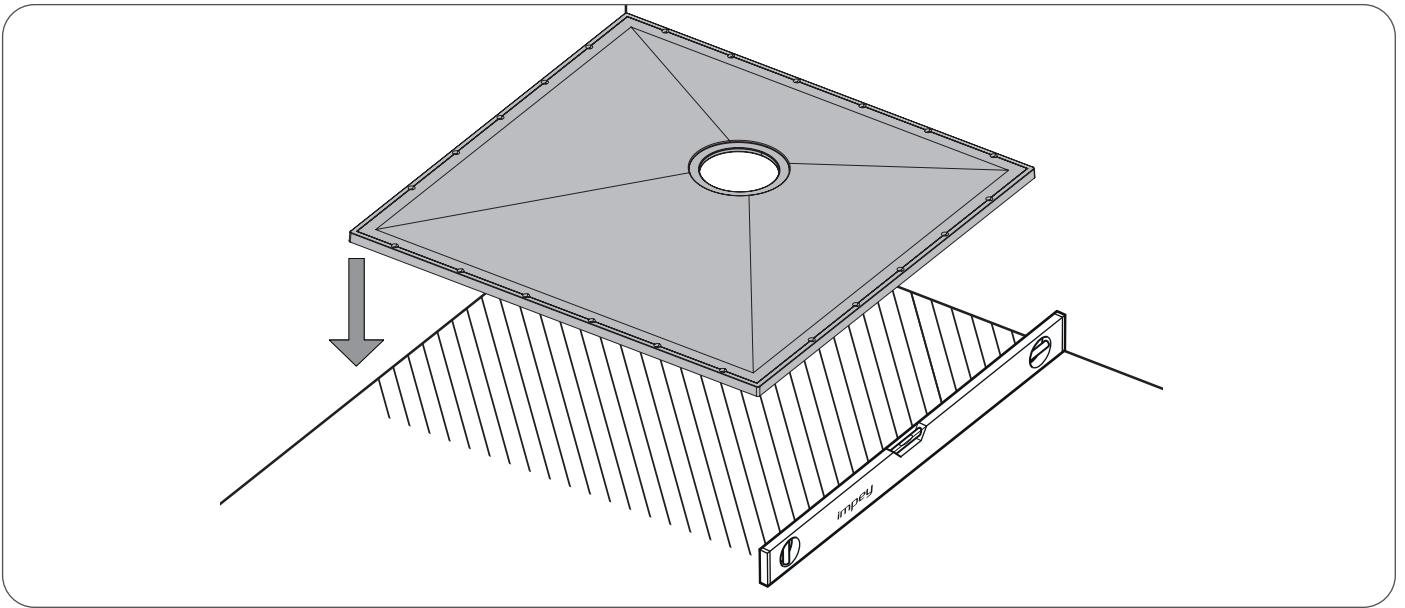
For trimming of the Level-Dec Solid Fit, please refer to the technical data sheet.

CONCRETE FLOOR PLANNING

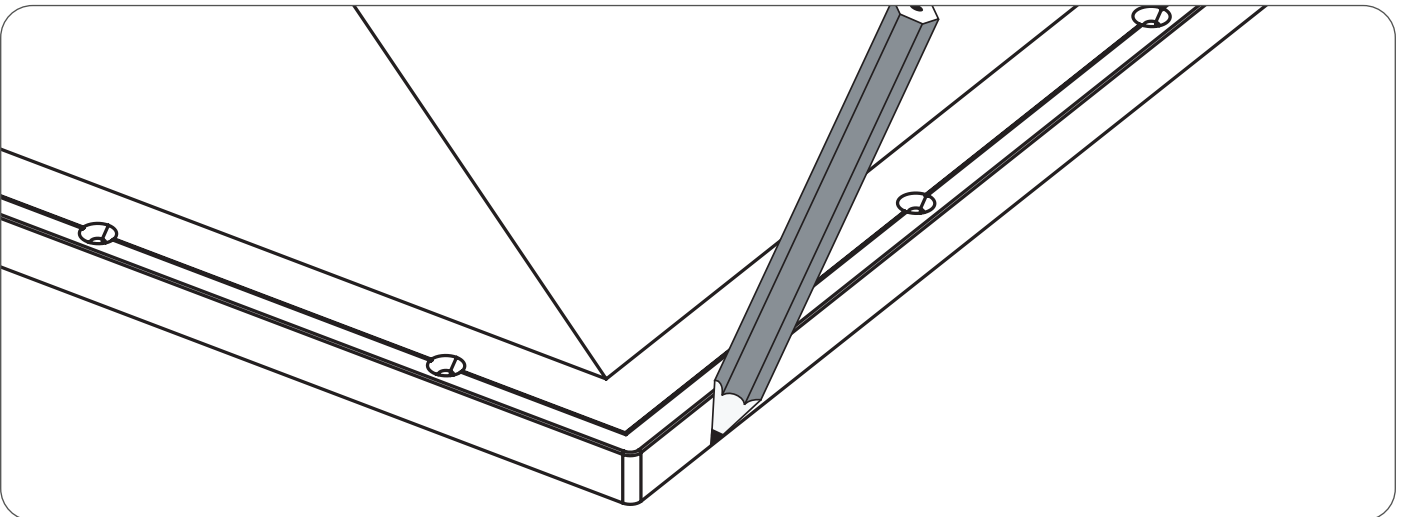
6. SET THE LEVEL-DEC SOLIDFIT IN POSITION.

REFER TO BUILDING REGULATIONS TO ENSURE CORRECT SCREED DEPTH IS MAINTAINED WITHOUT COMPROMISING THE FLOOR STRUCTURE.

Important: Check floor is level. If not this will need to be corrected before continuing.



Place the Level-Dec SolidFit in the desired location on the floor and mark around the outer edge.

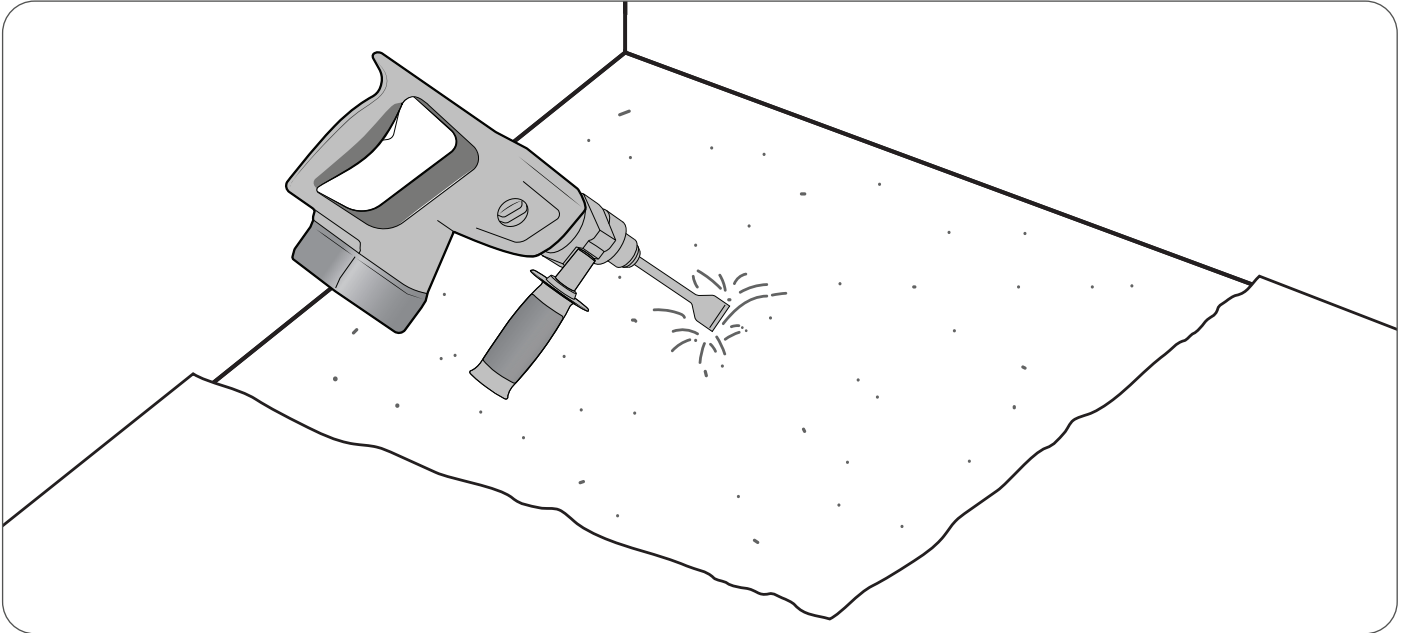


CONCRETE FLOOR

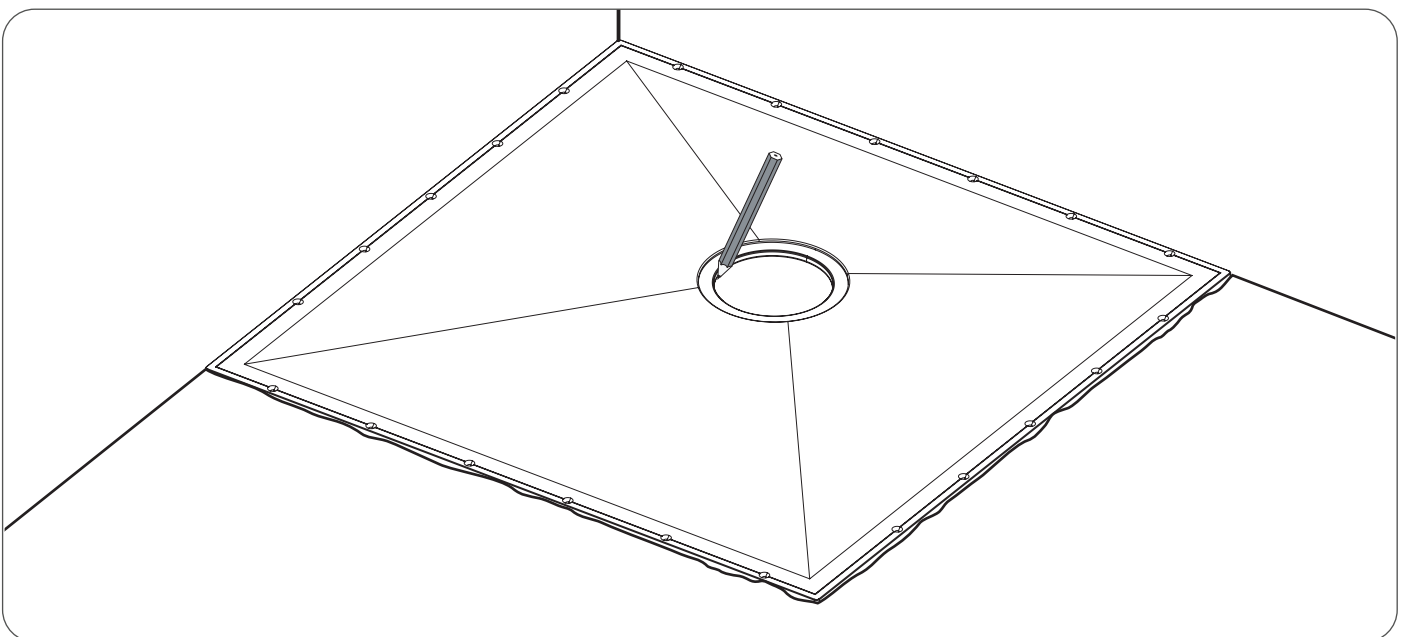
7. EXCAVATE THE FLOOR.

Using suitable equipment and PPE, excavate all the floor material within the marked area to a suitable depth for the Level-Dec SolidFit with a sand and cement bedding.

Use extreme care whilst cutting the floor as there may be hidden pipes and cables.

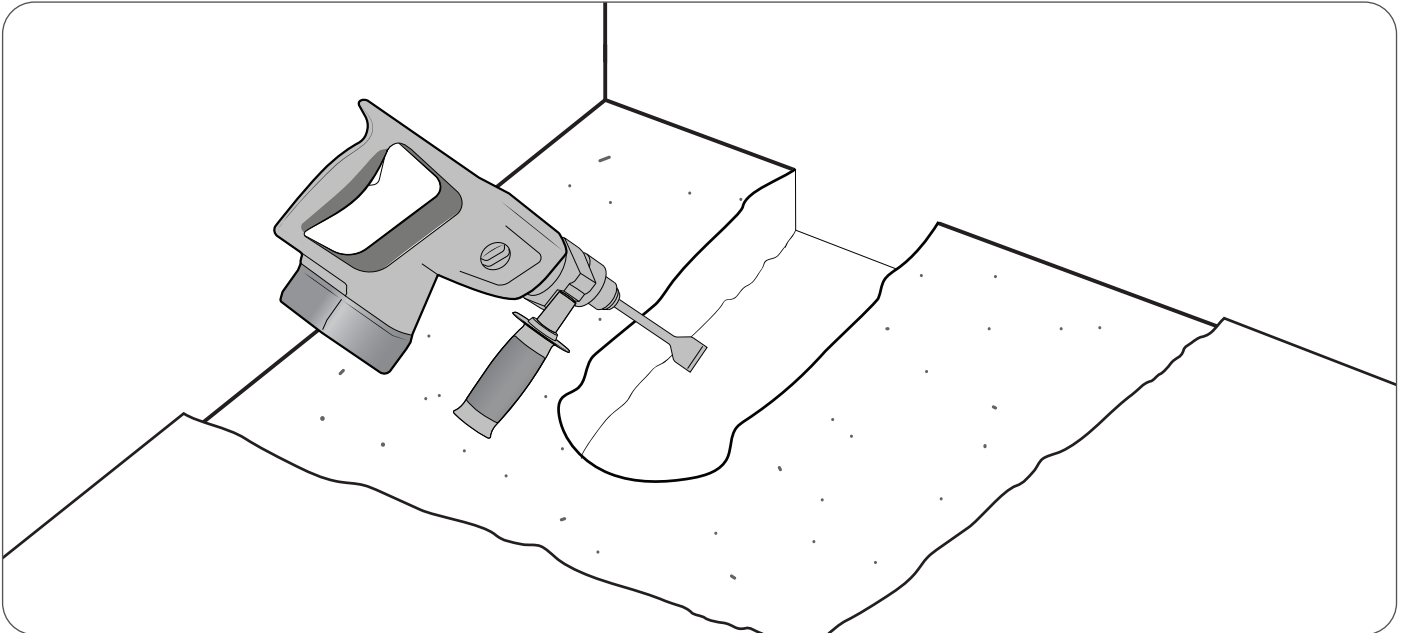


Mark around the inner edge of the drain aperture then measure from the outer edges of the Level-Dec SolidFit to the centre of the drain. **Use these dimensions to position the centre of the drain sump.** Consideration to tiling layout should be given when positioning the drain.



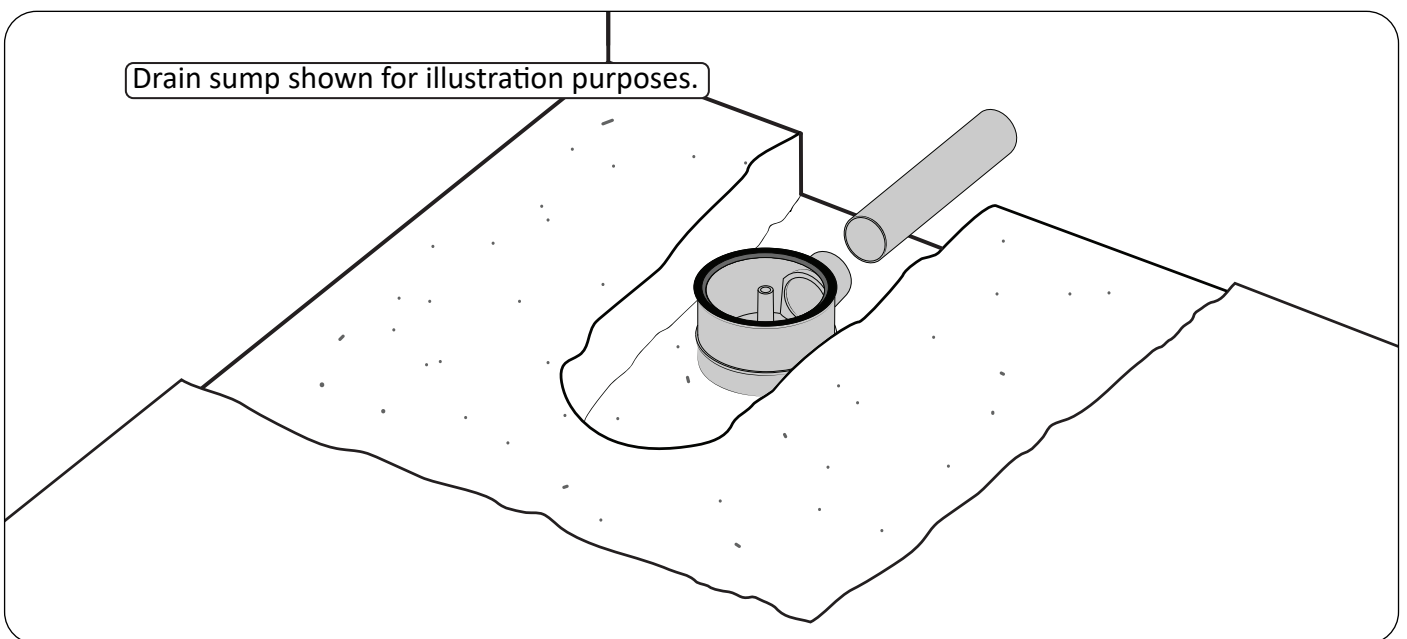
CONCRETE FLOOR

Remove enough floor material for the installation of a waste pipe and drain sump. It is essential, that when the waste pipe and drain sump are installed, the trap is located directly below the centre of the hole within the Level-Dec SolidFit.



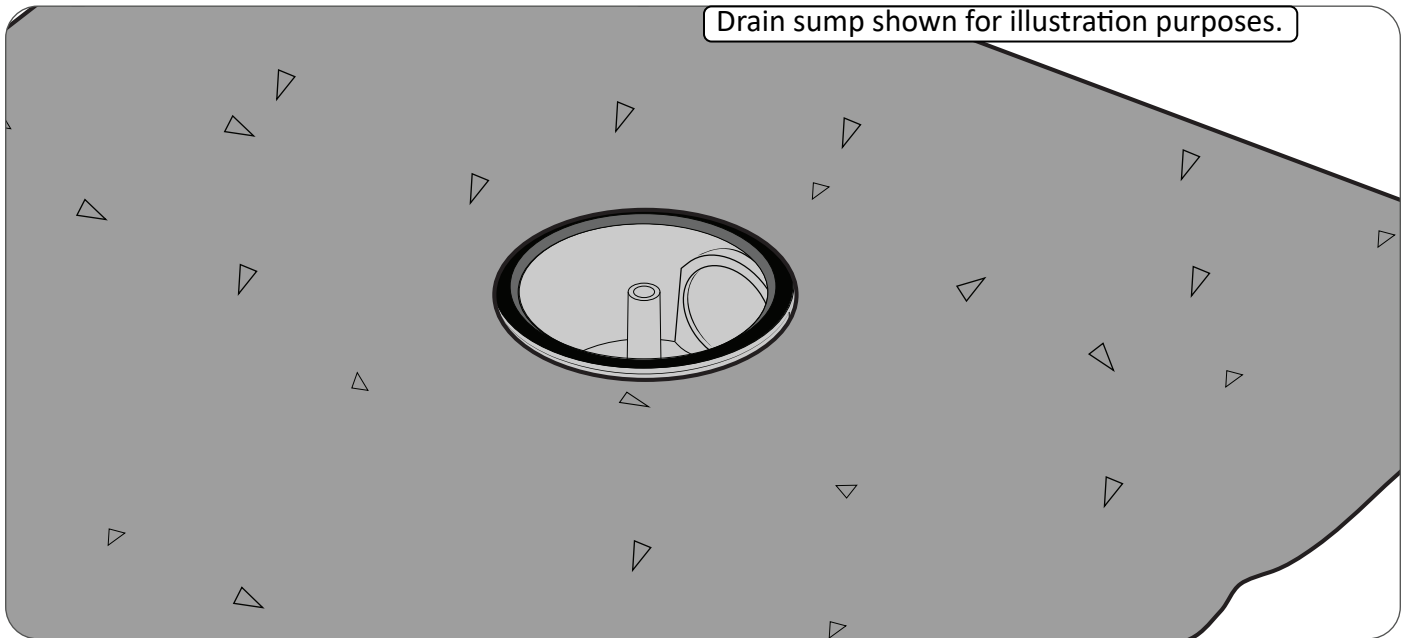
8. INSTALL THE DRAIN SUMP

Position the drain sump centre in the previously measured location then connect it to the waste pipe as shown below ensuring the base is sufficiently supported. Install waste pipework in accordance with current Building Regulations.

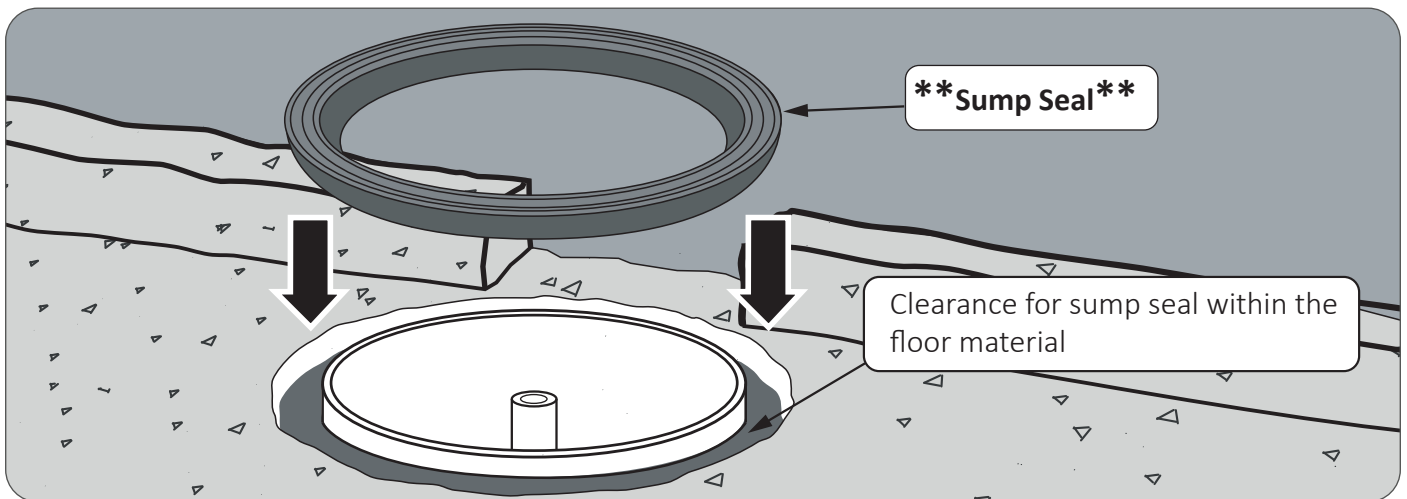


CONCRETE FLOORS

Lay a weak sand and cement mix in the excavated hole and around the waste pipe and sump. **Ensure the mix is fairly dry. Take care not to get sand and cement in the sump or seal.**



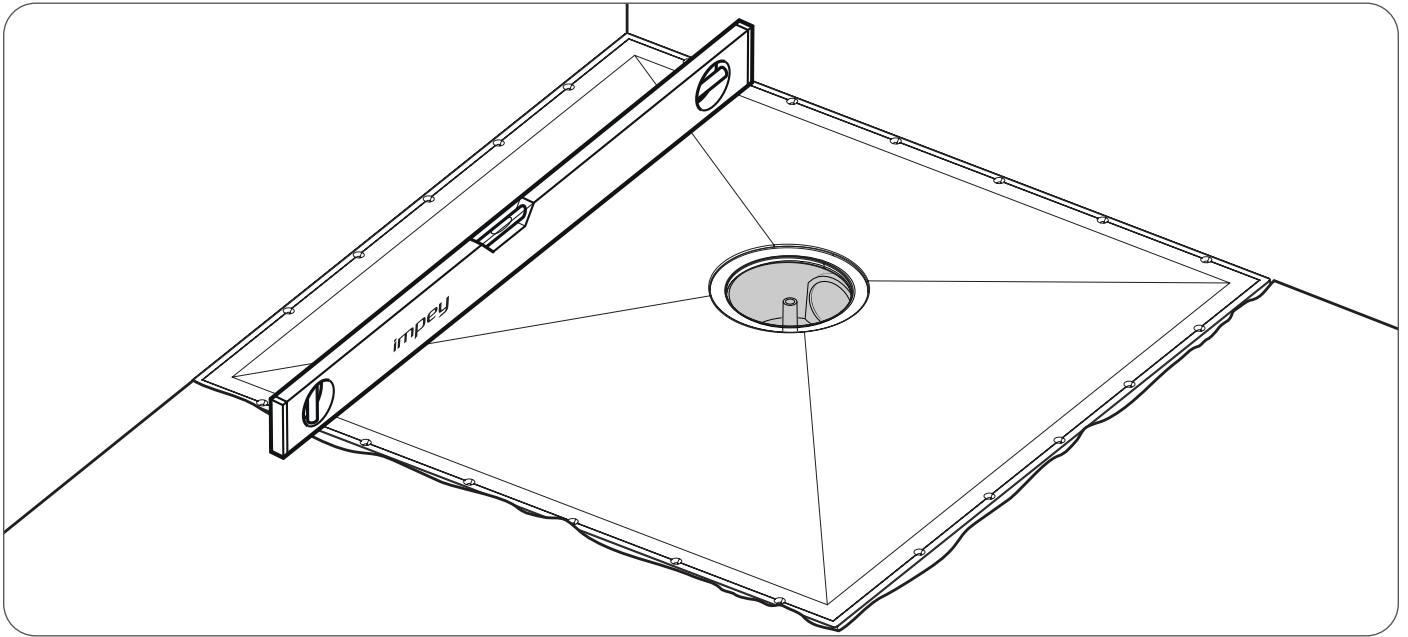
If a Sump Seal is present on the drain please allow clearance for the sump seal.



CONCRETE FLOORS

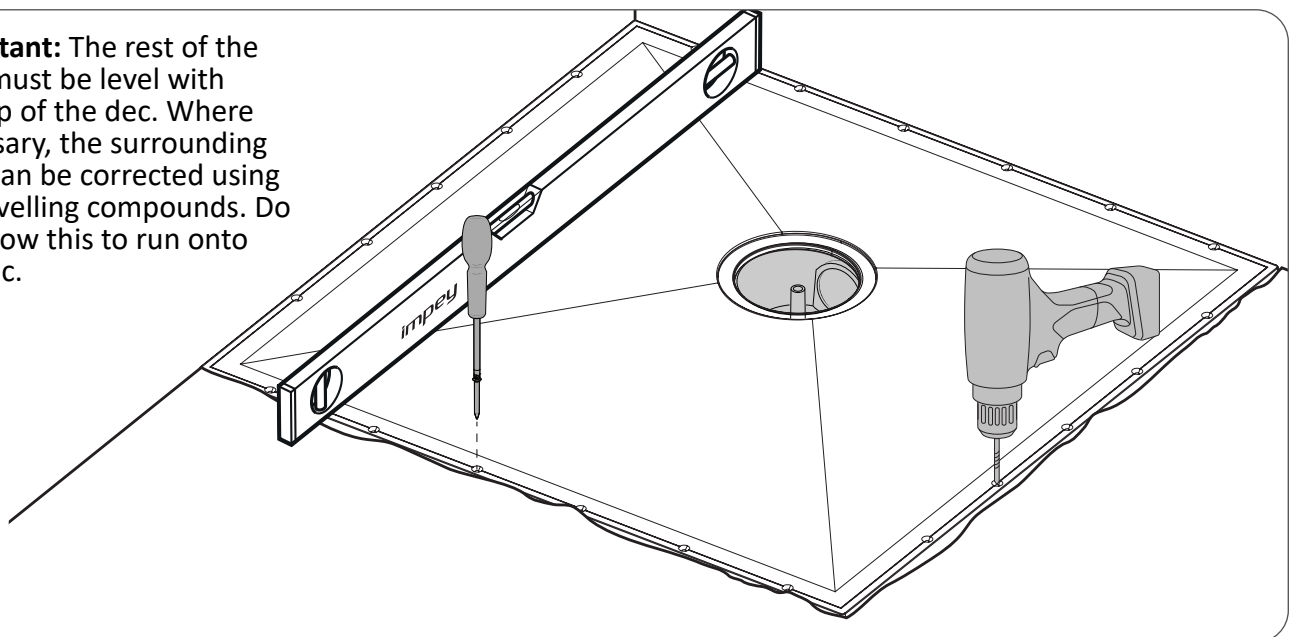
9. FIX THE LEVEL-DEC SOLIDFIT IN POSITION

Place the Level-Dec SolidFit onto the mix and ensure it is flush with the surrounding floor. Ensure the Level-Dec SolidFit is perfectly level and does not become distorted. Leave to set overnight.



Once set drill through the Level-Dec SolidFit preformed holes into the concrete below. Then using suitably sized plugs, screw the Level-Dec SolidFit to the floor. Perform one last check to ensure the Level-Dec SolidFit is level.

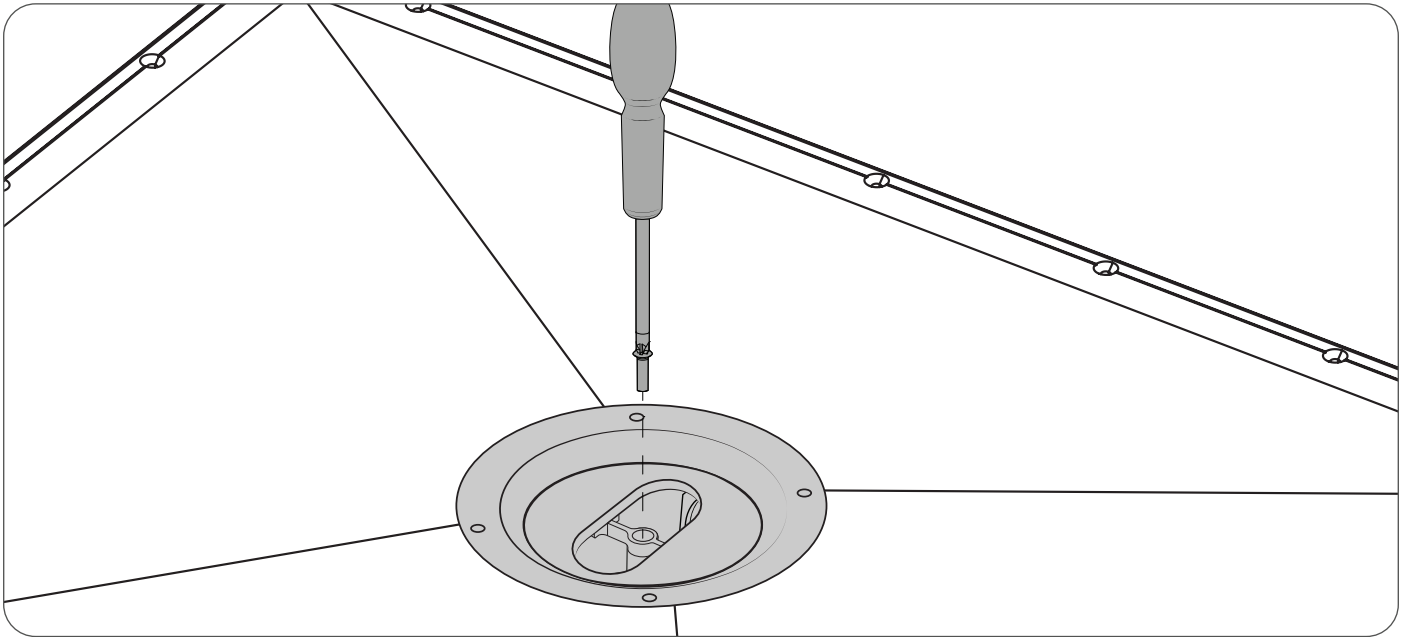
Important: The rest of the floor must be level with the top of the dec. Where necessary, the surrounding floor can be corrected using self-levelling compounds. Do not allow this to run onto the dec.



* Note; Larger Level-Dec SolidFit will require additional fixings in the body.

CONCRETE FLOORS

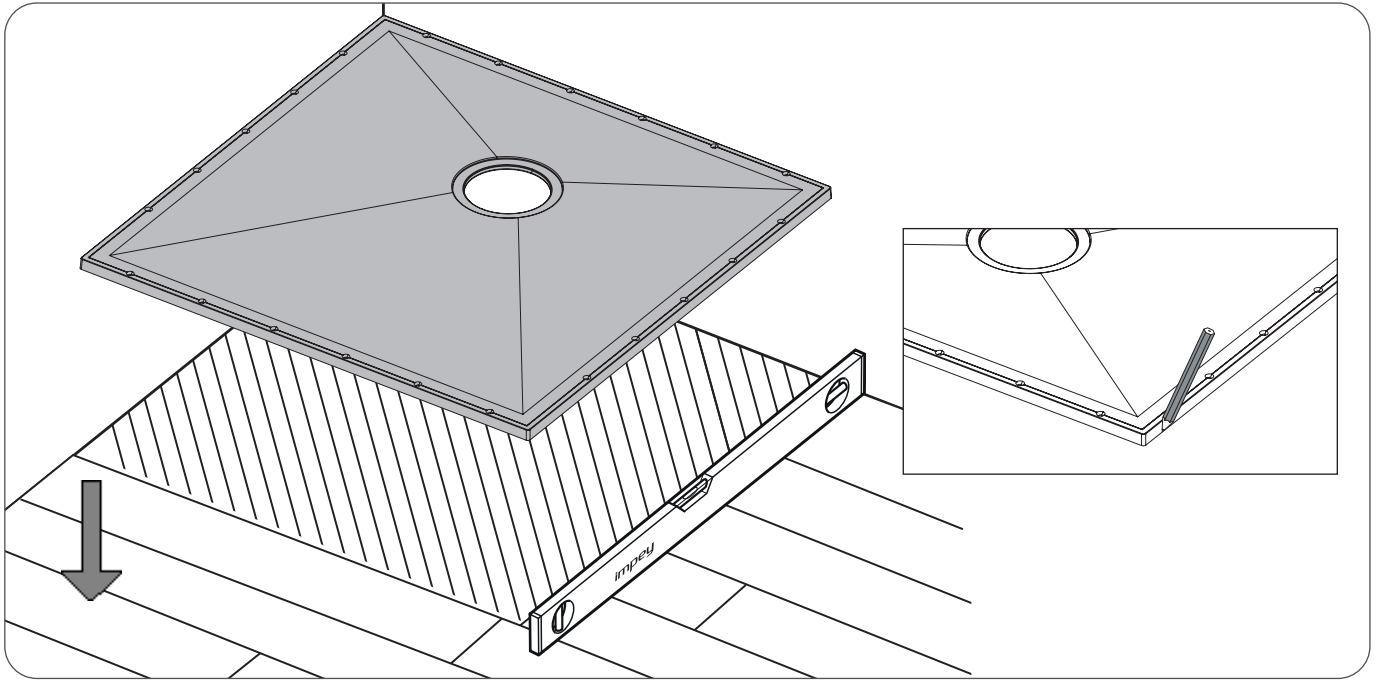
Fit the drain sump bowl for the chosen drain type, refer to the relevant drain installation guide.



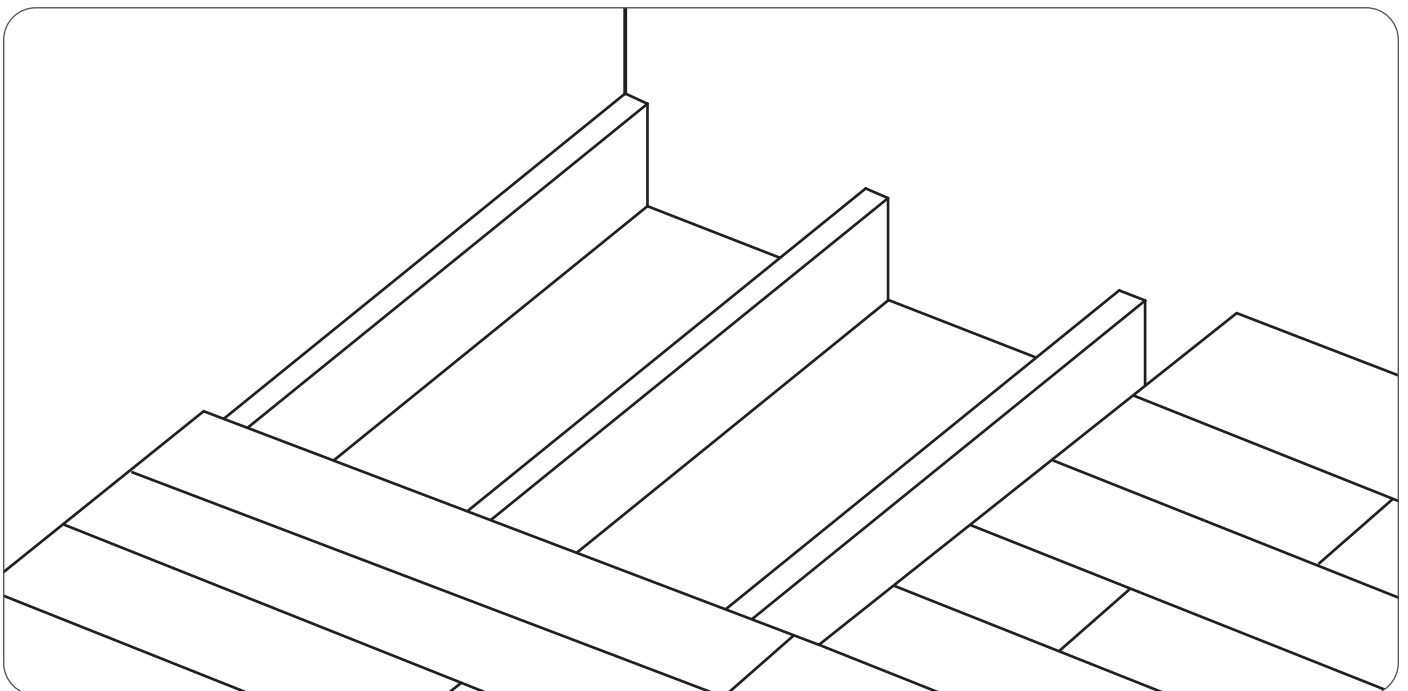
WOODEN FLOOR PLANNING

10. SET THE LEVEL-DEC SOLIDFIT LOCATION

Place the Level-Dec SolidFit onto the floor in the desired location and mark around the outer edge of the Dec. If the floor is not level this will need to be corrected before installation can continue.



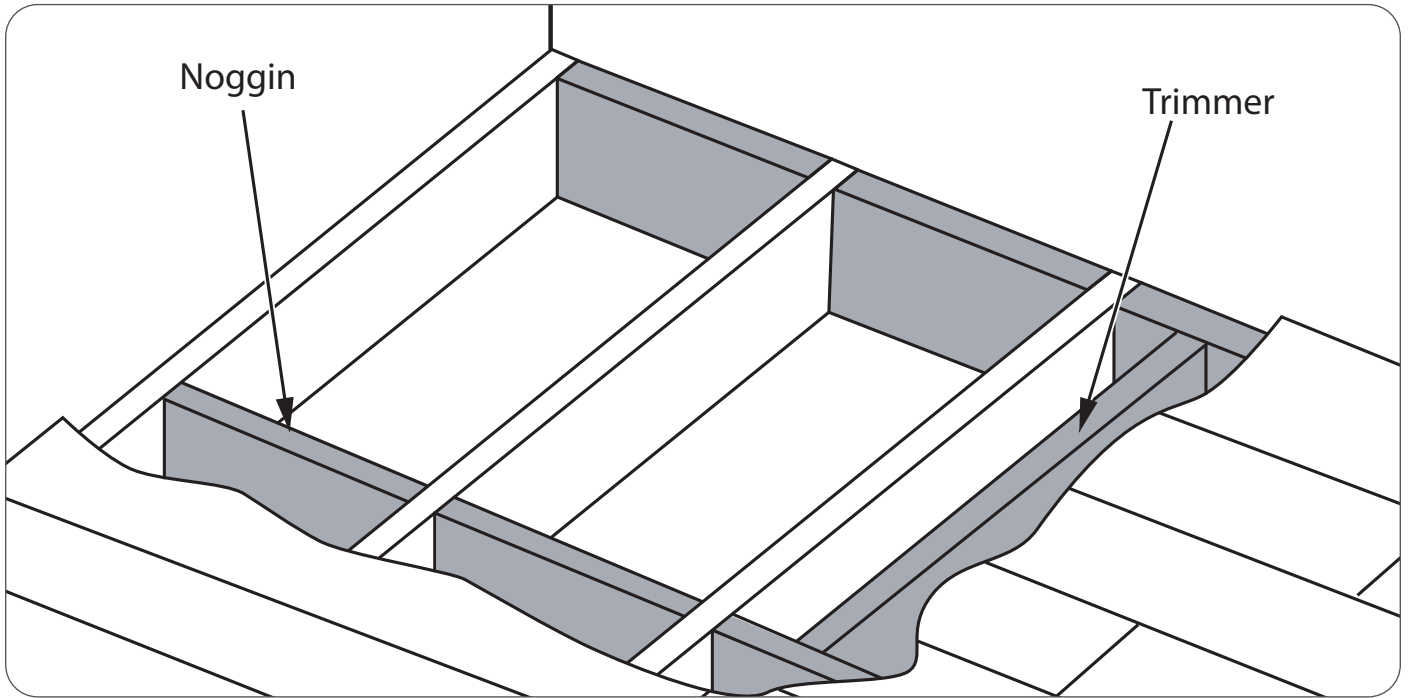
Using a suitable saw cut along the outlines that have been marked on the floor. Use extreme caution and care whilst cutting the floor as there may be hidden cables and pipes. Always check before cutting any floor for the presence of cables and pipework. Once the floor has been cut, remove the flooring to show the joists. Ensure joists are level and even.



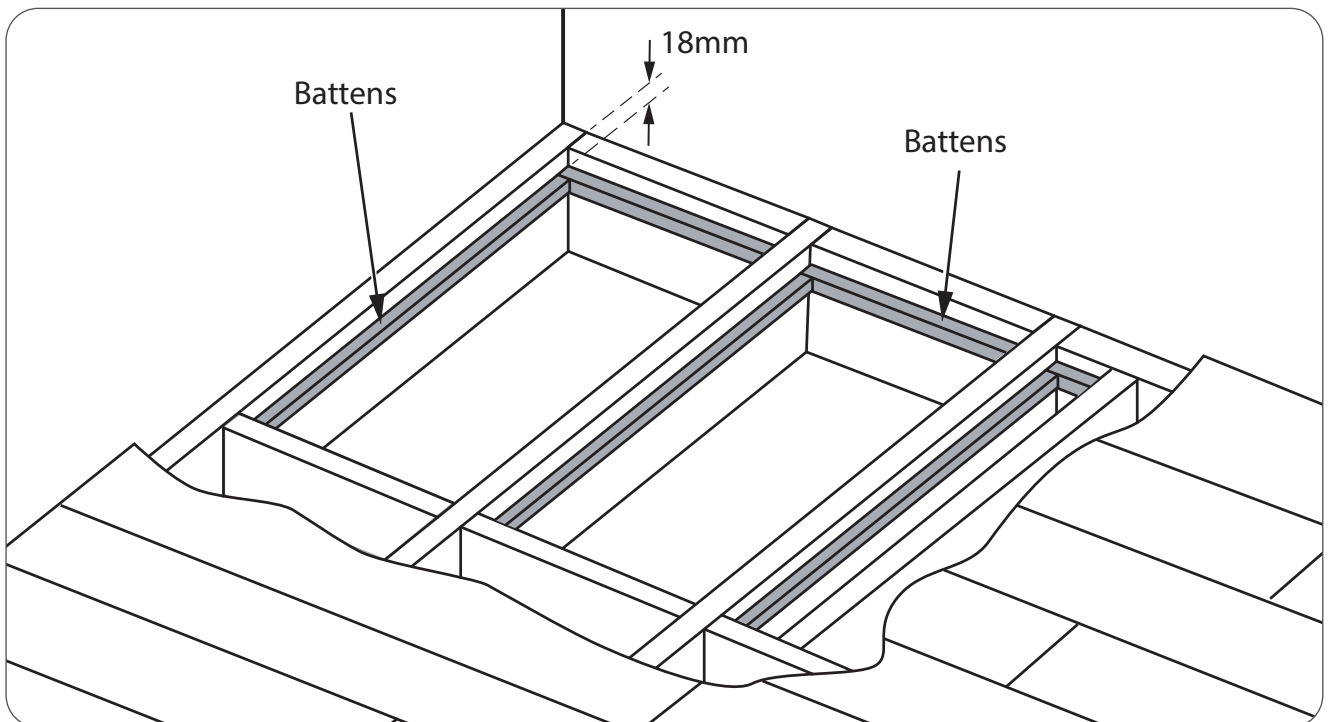
WOODEN FLOORS

11. SUPPORT THE LEVEL-DEC SOLIDFIT

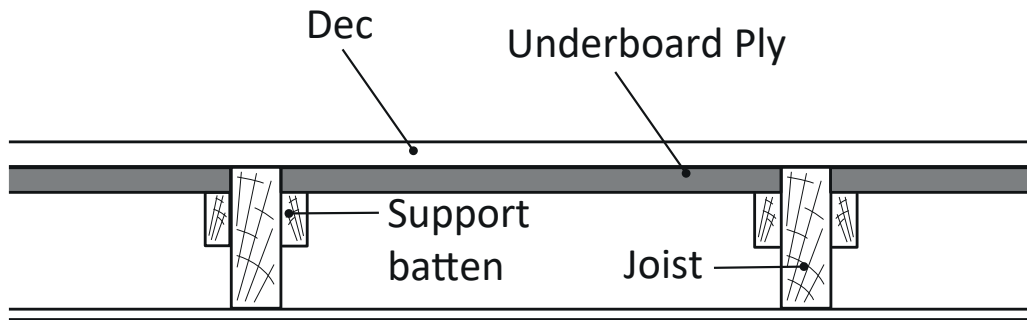
Fit noggins and trimmers to support the outer edge of the Level-Dec SolidFit.



Fix battens to the sides of the noggins and joists. To allow for the thickness of the plywood, the battens must be fixed 18mm below the top of the joists. Ensure they are sufficient to load bear, flat and level.

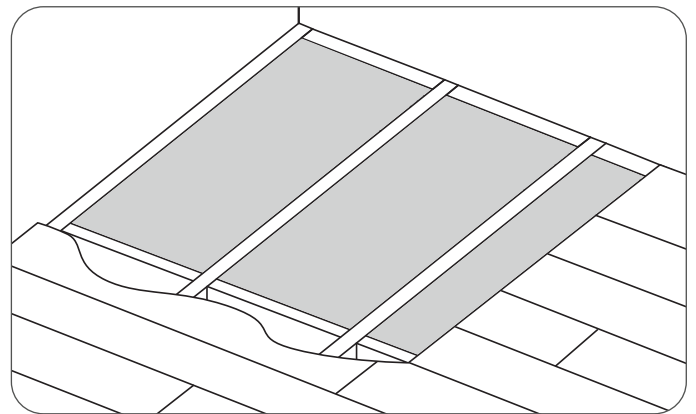
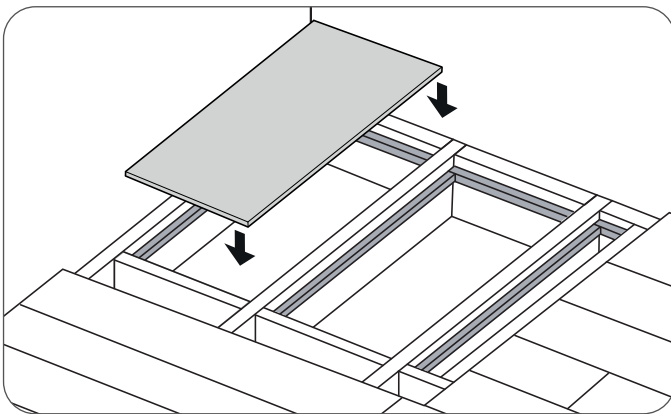


WOODEN FLOORS

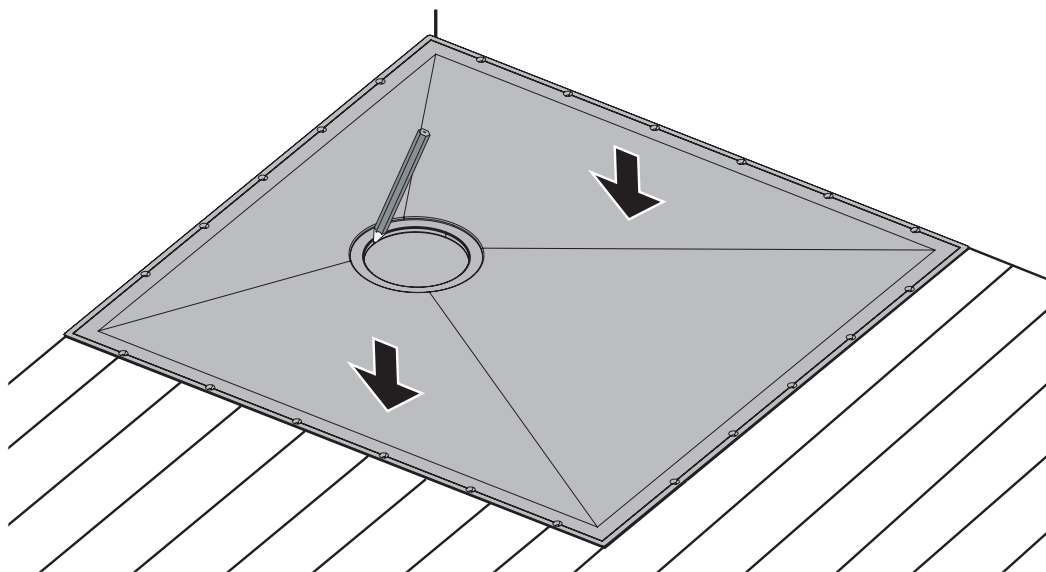


12. INSTALL UNDERBOARDING

Measure and cut 18mm plywood panels. Position them but do not secure them in place. Check all the panels are level and locate correctly.



With the plywood placed in position and not fixed down, place the Level-Dec SolidFit into position and mark the drain position.

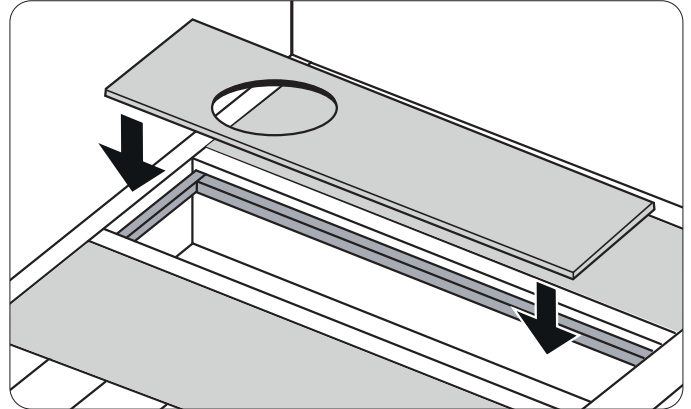
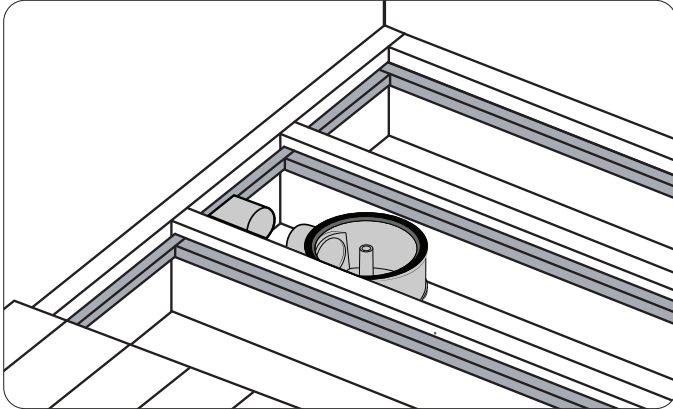


WOODEN FLOORS

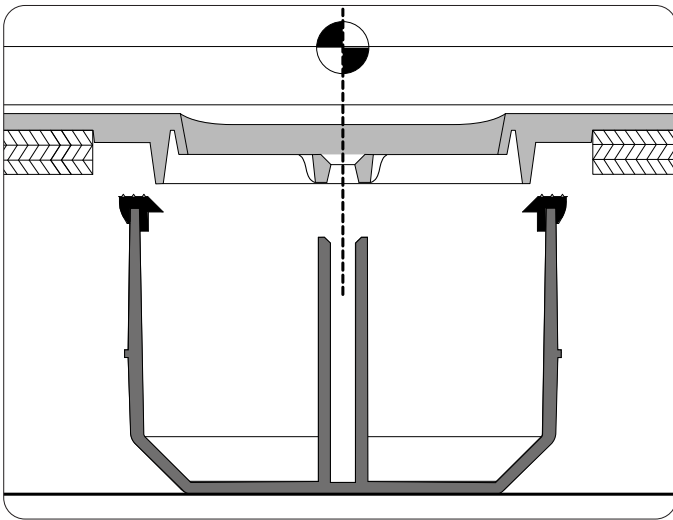
13. INSTALL DRAIN SUMP

Position the sump centre in the previously measured location.

Using a suitable saw cut an aperture in the plywood for the sump to fit through.

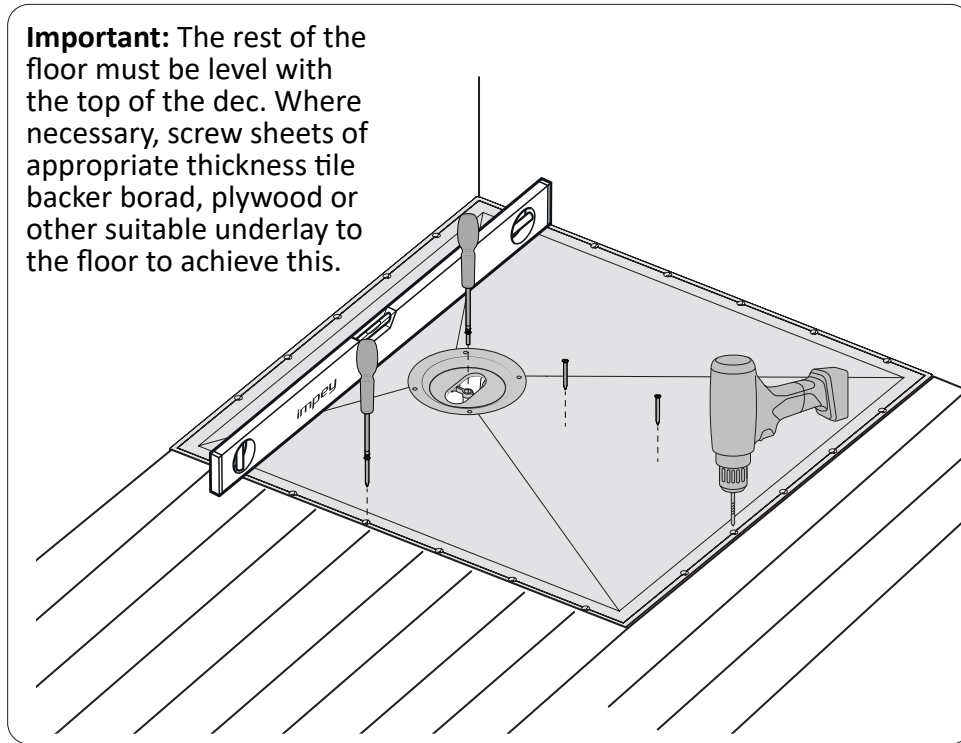


Position the drain sump using the screw hole.



Install waste pipework in accordance with current Building Regulations and connect the drain sump using solvent weld cement. If required, ensure the attached waste pipe is supported by the relevant pipe clips.

14. FIX THE LEVEL-DEC SOLIDFIT IN POSITION



Position the Level-Dec SolidFit onto the plywood base, **ensuring it is flush with surrounding floor level.** This is very important for correct drainage from the Level-Dec SolidFit. If the Level-Dec SolidFit is not level then this will need to be resolved.

Drill and screw through the Level-Dec SolidFit preformed holes into to the plywood below. The Level-Dec SolidFit should be secured around the perimeter *

* Note; Larger Level-Dec SolidFit will require additional fixings in the body. Ensure fixings line up with the joists and / or noggins.

01460 256080

www.impeyshowers.com

technical.support@impeyshowers.com

Impey, Conquest Business Park,
Cad Road, Ilton, Somerset, TA19 9EA

Coram UK Holding Ltd reserves the right to change the design or specification without prior notice.

impey