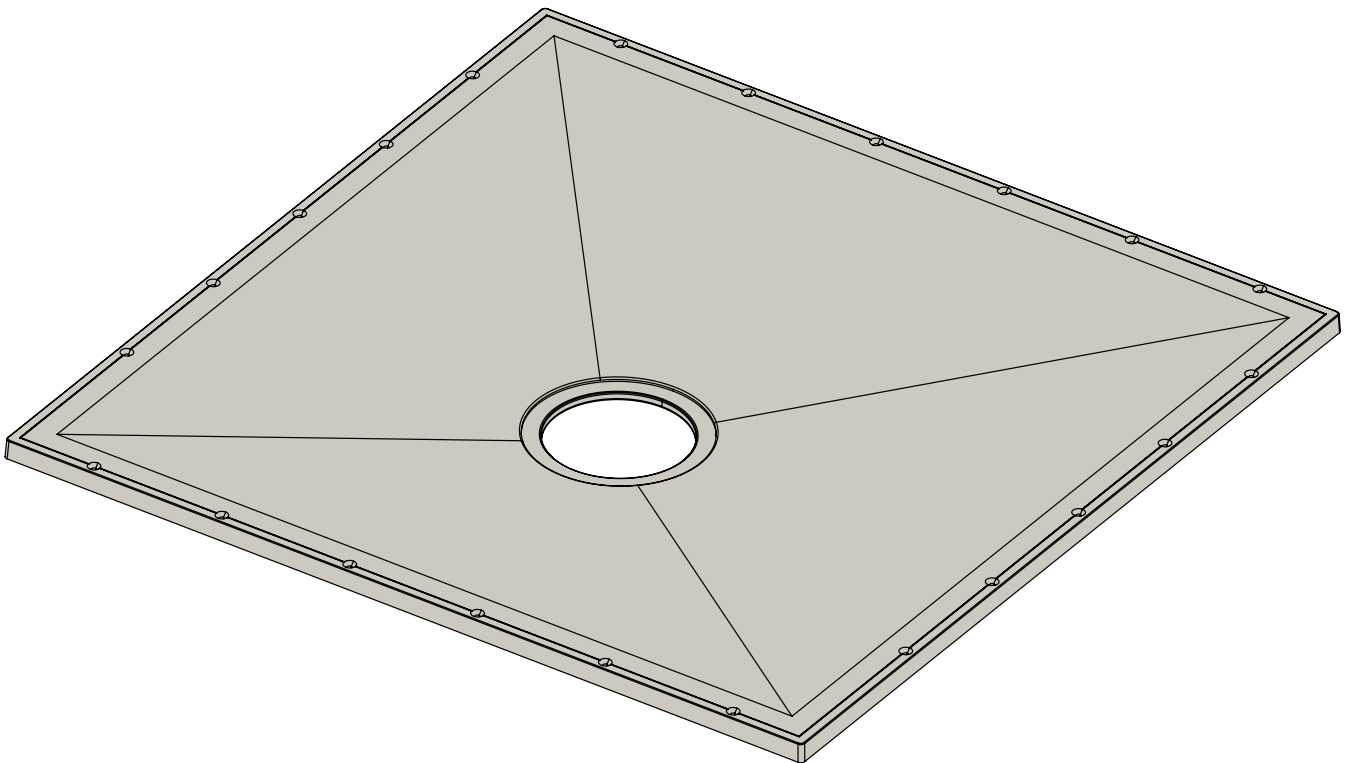


TECHNICAL DATA SHEET

LEVEL-DEC SOLIDFIT FLOOR FORMER



SFF1010GRY - 1000 x 1000

SFF1212GRY - 1200 x 1200

SFF1382GRY - 1300 x 820

SFF1582GRY - 1500 X 820

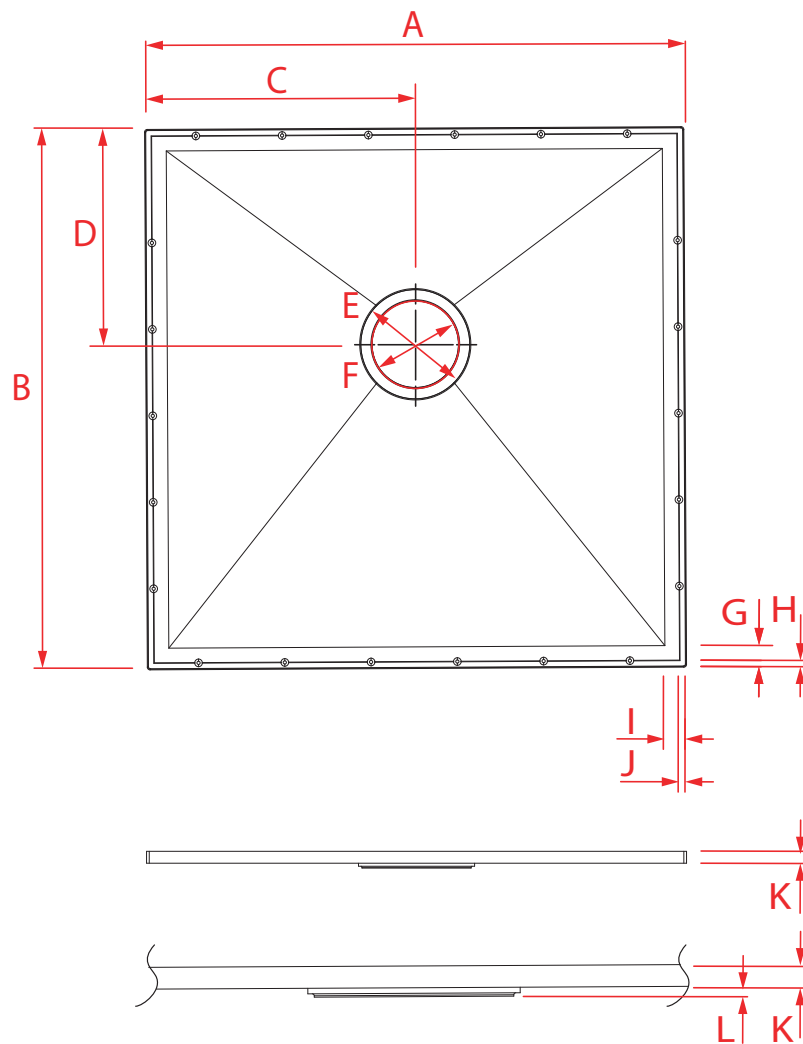
TECHNICAL DATA

THICKNESS	All 22mm in height			
HANDING	Universal (not handed)			
SIZE & WEIGHT* AVAILABLE	SFF1010GRY 1000 x 1000 18.8KG	SFF1212GRY 1200 x 1200 21KG	SFF1382GRY 1300 x 820 20.3KG	SFF1582GRY 1500 x 820 22.4KG
TRAP SIZE	Refer to the relevant Drain Technical Data sheet for dimensions			
WASTE OPTIONS	<p>UTVG01/H - VINYL DRAIN GRAVITY HORIZONTAL - GREY UTVC01/H - VINYL DRAIN GRAVITY HORIZONTAL - CHROME UTVG01/V - VINYL DRAIN GRAVITY VERTICAL - GREY UTVC01/V - VINYL DRAIN GRAVITY VERTICAL - CHROME SLW2VG/H - VINYL DRAIN SLIM+ HORIZONTAL - GREY SLW2VCP/H - VINYL DRAIN SLIM+ HORIZONTAL - CHROME TAD13 - VINYL DRAIN PUMPED OUTLET - GREY TAD3/CP - VINYL DRAIN PUMPED OUTLET - CHROME</p> <p>QUAD01BSS/H - TILED DRAIN GRAVITY HORIZONTAL - SLOT STAINLESS STEEL QUAD01BSS/V - TILED DRAIN GRAVITY VERTICAL - SLOT STAINLESS STEEL QUADT14/H - TILED DRAIN GRAVITY HORIZONTAL - TILE INSERT STAINLESS STEEL QUADT14/V - TILED DRAIN GRAVITY VERTICAL - TILE INSERT STAINLESS STEEL QUADPARB-01/H - TILED DRAIN GRAVITY HORIZONTAL - PARAGON BRUSHED GOLD QUADPARB-01/V - TILED DRAIN GRAVITY VERTICAL - PARAGON BRUSHED GOLD QUADPARB-02/H - TILED DRAIN GRAVITY HORIZONTAL - PARAGON BRUSHED BLACK QUADPARB-02/V - TILED DRAIN GRAVITY VERTICAL - PARAGON BRUSHED BLACK SLW2T01/H - TILED DRAIN SLIM+ HORIZONTAL - SLOT STAINLESS STEEL DSS2 - TILED DRAIN PUMPED OUTLET - SLOT STAINLESS STEEL</p>			
FEATURES	<p>Creates reliable and consistent gradient for the showering area on the wetroom floor.</p> <p>Easy to install.</p> <p>Refer to the relevant Drain Technical Data sheet for features.</p>			
CONSTRUCTION	SMC composite with open structure ribs on the underside.			
INSTALLATION	<p>Suitable for vinyl and tiled floor finishes.</p> <p>Suitable for concrete floor construction.</p> <p>Suitable for timber floor construction with underboarding.</p>			

LEVEL-DEC SOLIDFIT FLOOR FORMER DIMENSIONS

SUPPLIED WITH	Installation Guide Drain purchased separately
FLOW RATES	Average Flow Rate 32.5 L/min (tested on a SFF1010GRY with UTVG01/H)

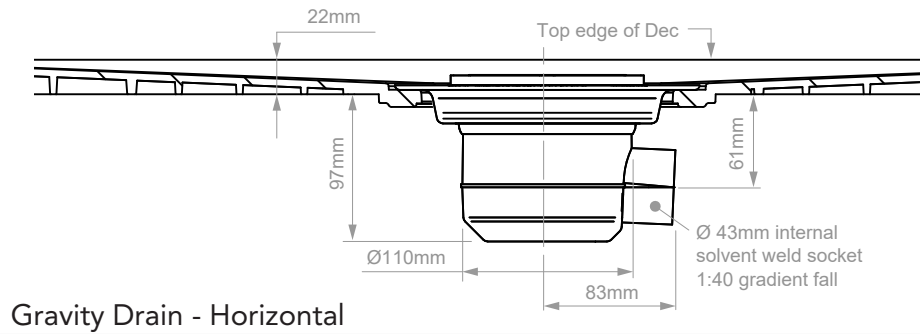
* WEIGHT SHOWN IS APPROX (PACKAGED)



DEC	A	B	C	D	E	F	G	H	I	J	K	L
1000 x 1000	1000	1000	500	400	202	160	40	12.5	40	12.5	22	8
1200 x 1200	1200	1200	600	500	202	160	40	12.5	40	12.5	22	8
1300 x 820	1300	820	550	320	202	160	40	12.5	40	12.5	22	8
1500 x 820	1500	820	650	320	202	160	40	12.5	40	12.5	22	8

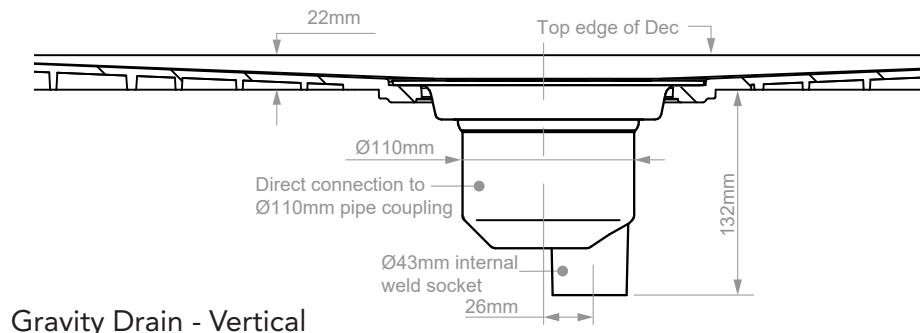
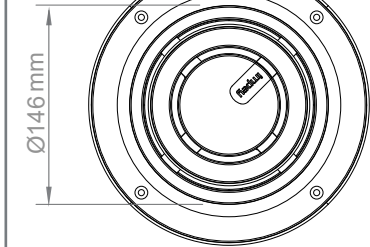
DIMENSIONS ARE IN MM

LEVEL-DEC SOLIDFIT VINLY DRAIN DETAILS



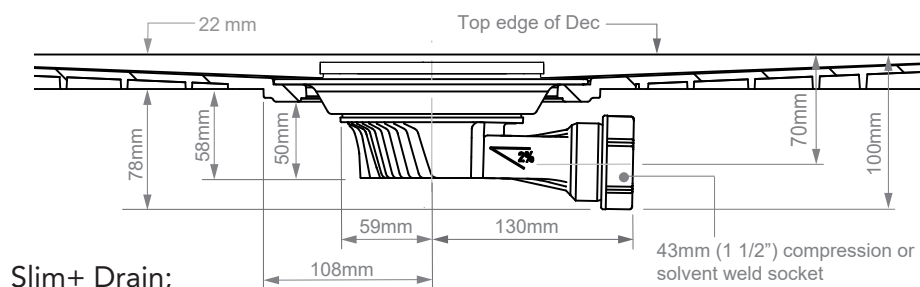
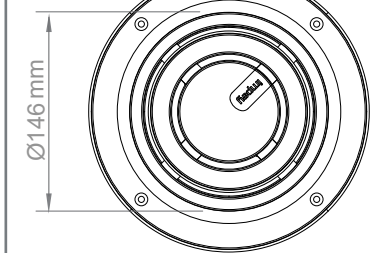
Gravity Drain - Horizontal

Vinyl Gravity Drain Top; Grey



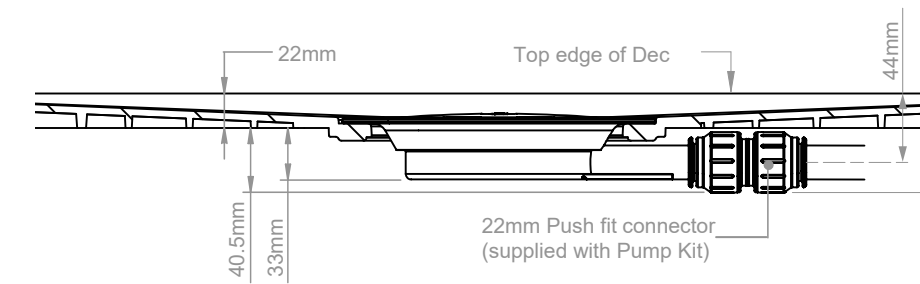
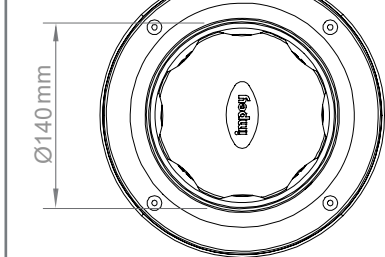
Gravity Drain - Vertical

Vinyl Gravity Drain Top; Chrome



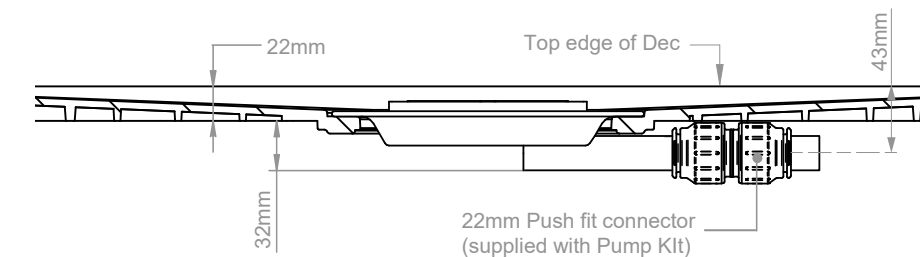
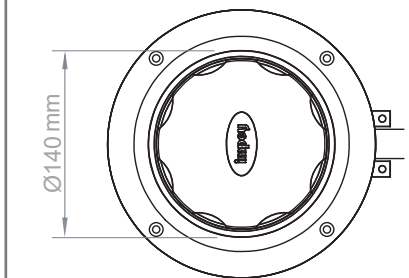
Slim+ Drain;
Un-trapped waterless floor drain

Vinyl Slim+ Drain Top; Grey or Chrome



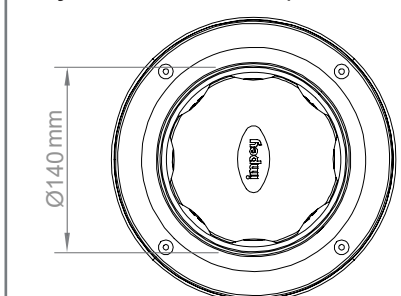
TAD 13 Pumped Drain; 22mm outlet

Vinyl TAD 13 Drain Top; Grey

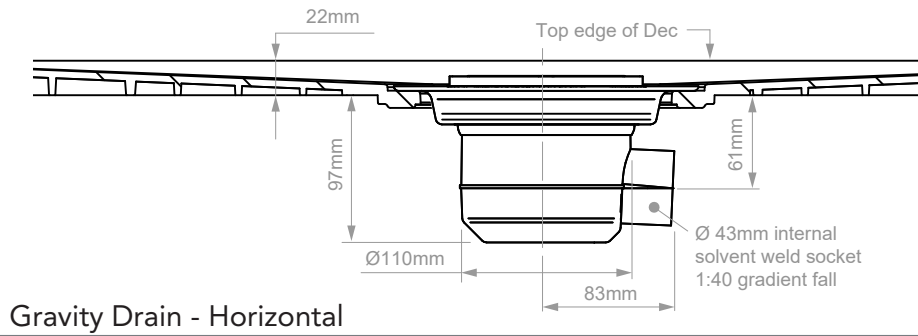


TAD 3 Pumped Drain; 22mm outlet

Vinyl TAD 3 Drain Top; Chrome

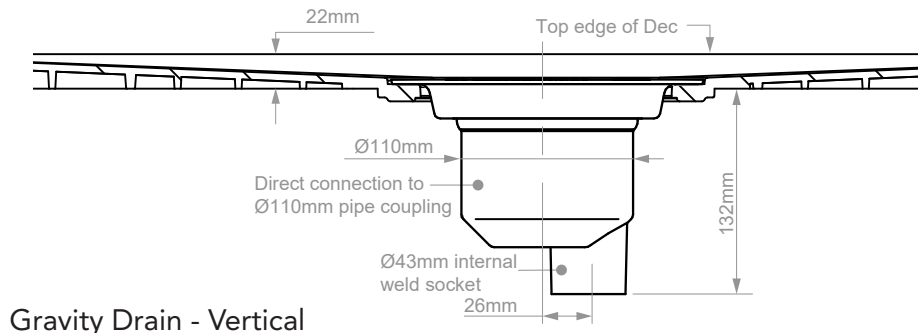
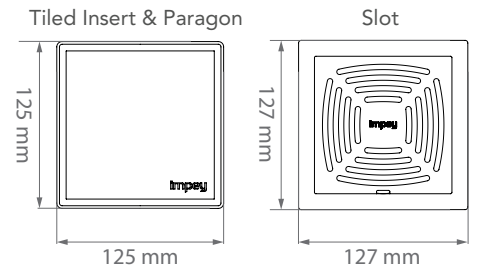


LEVEL-DEC SOLIDFIT TILED DRAIN DETAILS



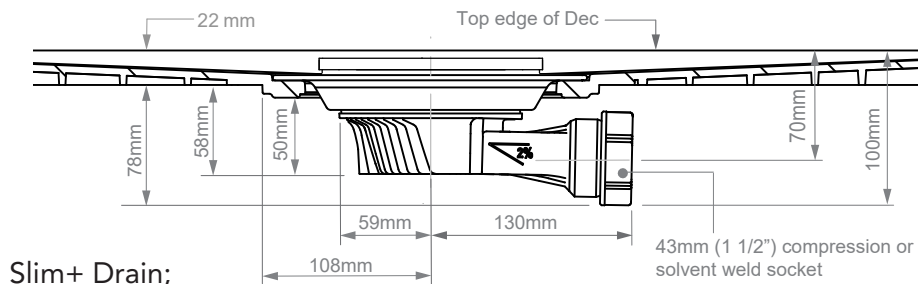
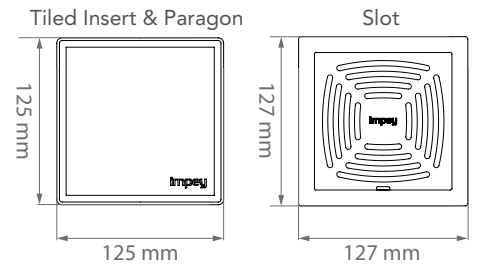
Gravity Drain - Horizontal

Tiled Gravity Drain Top



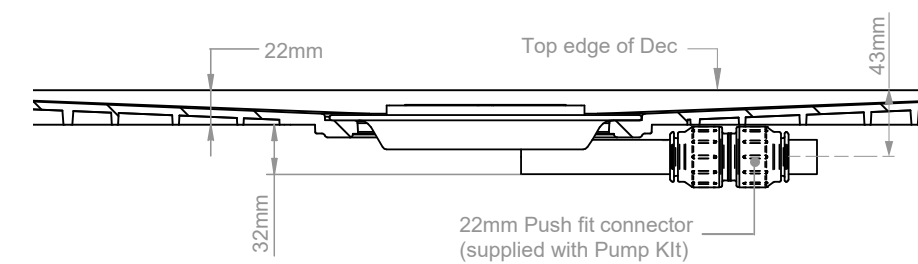
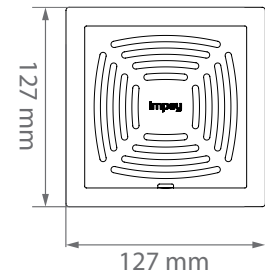
Gravity Drain - Vertical

Tiled Gravity Drain Top



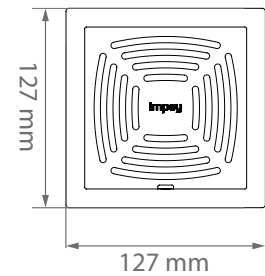
Slim+ Drain;
Un-trapped waterless floor drain

Tiled Slim+ Drain Top

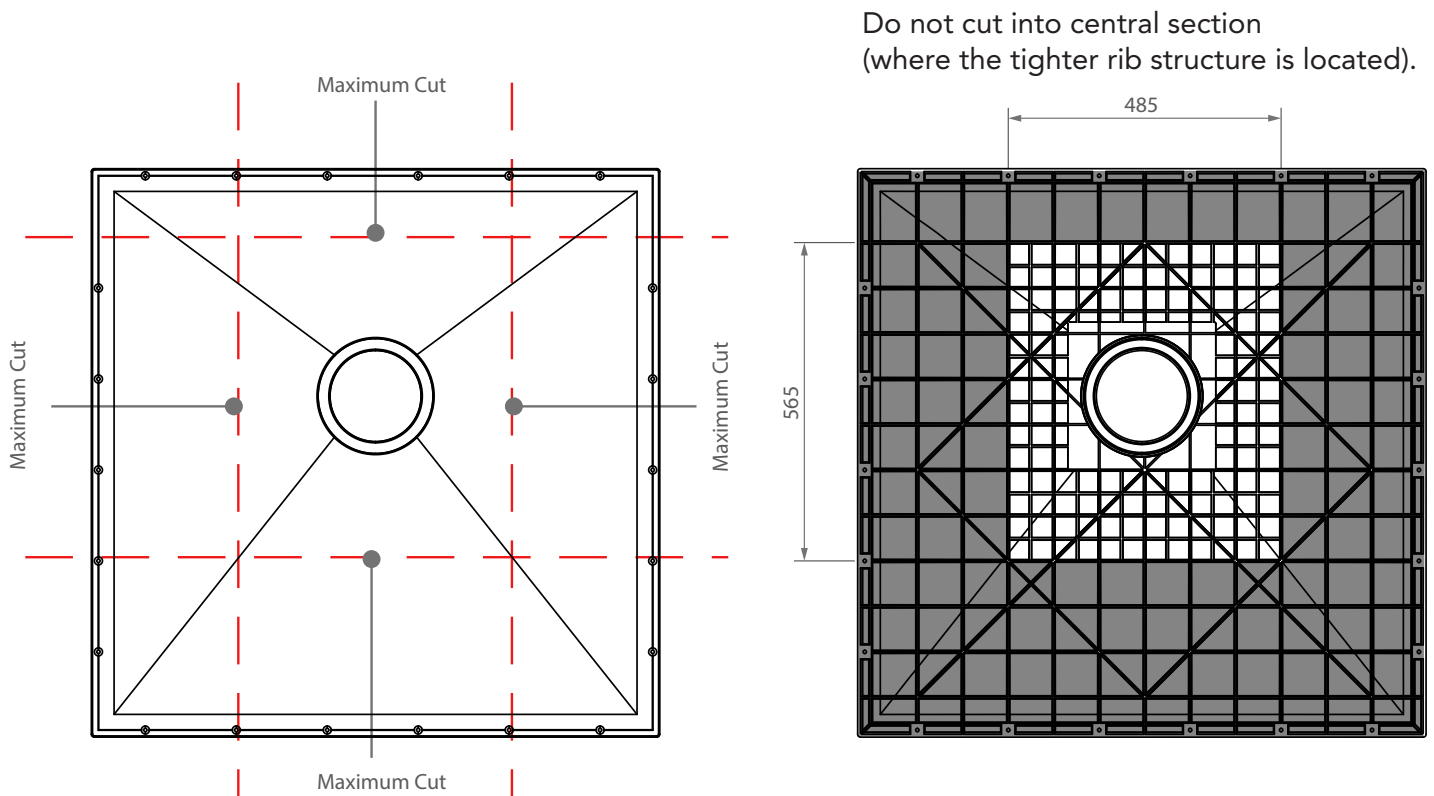


DSS2 Pumped Drain; 22mm outlet

Tiled DSS2 Drain Top



LEVEL-DEC SOLIDFIT FLOOR FORMER CUTTING DETAILS



Important: Do not cut the edges that adjoin surrounding floor. Cutting the Dec may reduce flow rate performance.

01460 256080

www.impeyshowers.com

technical.support@impeyshowers.com

Impey, Conquest Business Park,
Cad Road, Ilton, Somerset, TA19 9EA

Coram UK Holding Ltd reserves the right to change the design or specification without prior notice.

impey