



# BB020

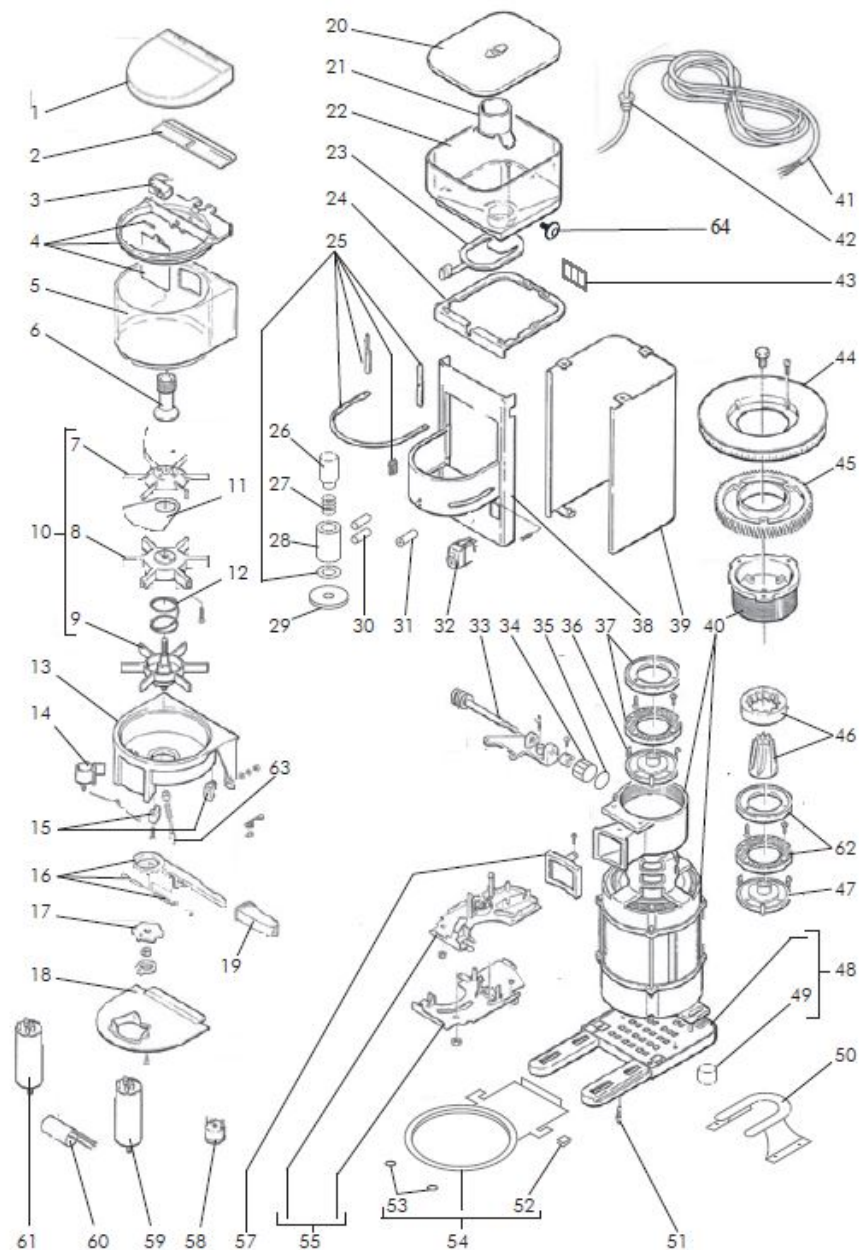
COD. 9942065

REV. 00



TABLE 1  
BB020AT

POS	CODE	DESCRIPTION
1	0M0603008	DOSER TOP COVER SERIGRAPH.
2	0M0603006	HALF COVER
3	0M1205004	MICROSWITCH
4	0M1603001	COMPLETE AUTOMATIC COLLAR
5	0M0603001	BOX DISPENSER
6	0M1603002	DOSER KNOB
7	0M1603003	UPPER CROSS
8	0M0604001	FEMALE CROSS
9	0M0604002	MALE CROSS
10	0M1606003	CROSS KIT
11	0M0903001	FIELD DOSING
12	0M0204004	SPRING
13	0M0503001	DOSER
14	0M0603004	STROKE COUNTER
15	0M1606002	BUMPER
16	0M1603005	LEVER
17	0M1101003	STAR
18	0M0603011	DOSER HOLE
19	0M1001001	KNOB
20	0M0602002	HOPPER COVER
21	0M0602005	FINGER SAFETY CAP
22	0M0602015	HOPPER 1,4 KG.WITH PIPE UNION
23	0M0602006	HOPPER LOCK
24	0M0602017	HOPPER COLLAR
25	0M1606005	GASKET KIT
26	0M1607001	COFFEE-PRESS KNOB
27	0M0204005	SPRING
28	5479919	ROD GUIDE TAMPER
29	5221419CM	COFFEE-PRESS D.57
30	5262204	SPACER

TABLE 1  
BB020AT

**BEZZERA**

**BB020**

TABLE 1  
BB020AT

POS	CODE	DESCRIPTION
31	7633623	BLUE LED
32	7633313	BIPOLAR SWITCH BLACK W/ORANGE LED
33	0M1604001	COMPLETE MICROMETER ADJUSTMENT
34	5371814	ADJUSTMENT HANDLE
35	5373930LL	PLUG
36	0M0802002	PAD
37	0M1501001	FLAT GRINDSTONE 64
38	5074475LL	ASSY FRONTAL BB012
39	5071732.01LW	BODYWORK BB012
40	0M1404001	COMPLETE MOTOR 100V 50/60HZ FOR FLAT GRINDSTONE
40	0M1404002	COMPLETE MOTOR 120V 60HZ FOR FLAT GRINDSTONE
40	0M1404003	COMPLETE MOTOR 220V 60HZ FOR FLAT GRINDSTONE
40	0M1404004	COMPLETE MOTOR 230/240V 50HZ FOR FLAT GRINDSTONE
40	0M1404005	COMPLETE MOTOR 100V 50/60HZ FOR CONICAL GRINDSTONE
40	0M1405006	COMPLETE MOTOR 120V 60HZ FOR CONICAL GRINDSTONE
40	0M1405007	COMPLETE MOTOR 220V 60HZ FOR CONICAL GRINDSTONE
40	0M1405008	COMPLETE MOTOR 230/240V 50HZ FOR CONICAL GRINDSTONE
41	0M1201001	CABLE US PLUG 100V50/60HZ-120V60HZ
41	7555001	ELECTRIC CABLE WITH SHUKO PLUG
41	7554001	ELECTRIC CABLE WITH ENGLISH PLUG
41	7552001	ELECTRIC CABLE WITH AUSTRALIAN PLUG
42	0M1201003	FAIRLEAD WITH HOLE RUBBER
43	5521524	ITALIAN FLAG LABEL
44	0M1606007	DISC OF ADJUSTMENT
45	0M0604005	TOOTHED WHEEL
46	0M1501003	CONICAL GRINDSTONES D64 M+F
47	0M0802003	PAD FOR CONICAL GRINDSTONE
48	0M1601001	PAINTED BASE W/HOLES AND FEET
49	0M1606001	4PZ FEET
50	5079911LW	FORK TAMPER

**BEZZERA**

**BB020**

TABLE 1  
BB020AT

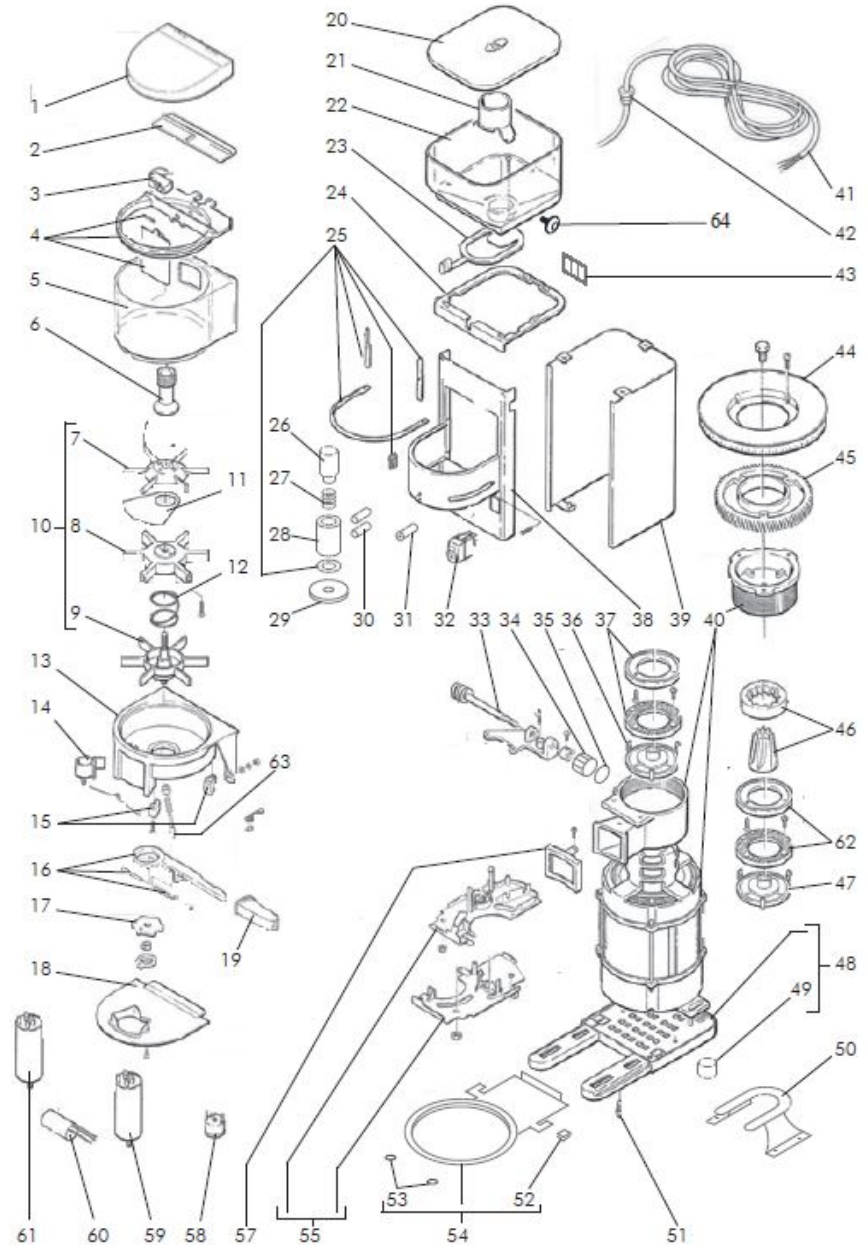


TABLE 1  
BB020AT

POS	CODE	DESCRIPTION
51	0M1606006	SCREWS KIT
52	7474217	ADHESIVE FEET 12,7 H5,8
53	7999904	ADHESIVE RUBBER TOP
54	5070658LL	BASIN WITH GUMS BB012
55	0M0605003	ELECTRICAL CONTROL SUPPORT
57	0M0301001	GASKET
58	0M1206002	THERMIC SAFETY DEVICE X 100V
58	0M1206001	THERMIC SAFETY DEVICE X 230/240V 50
58	0M1206003	THERMIC PROTECTION 220V 60HZ
59	0M1204003	CONDENSER 25MF X 100/120V
60	0M1204006	ANTI JAMMING FILTER X 220/230/240V
61	0M1203002	CIRCUIT BREAKER X 100/120V
61	0M1203001	CIRCUIT BREAKER X 220/230/240V
62	0M1501002	FLAT GRINDSTONE 64 F/CONICAL GROUP
63	0M0204003	COUNTERS SHAFT
64	0M1606014	SCREW KIT OUTSIDE WITH NYLON PLUGS

TABLE 1  
BB020AT

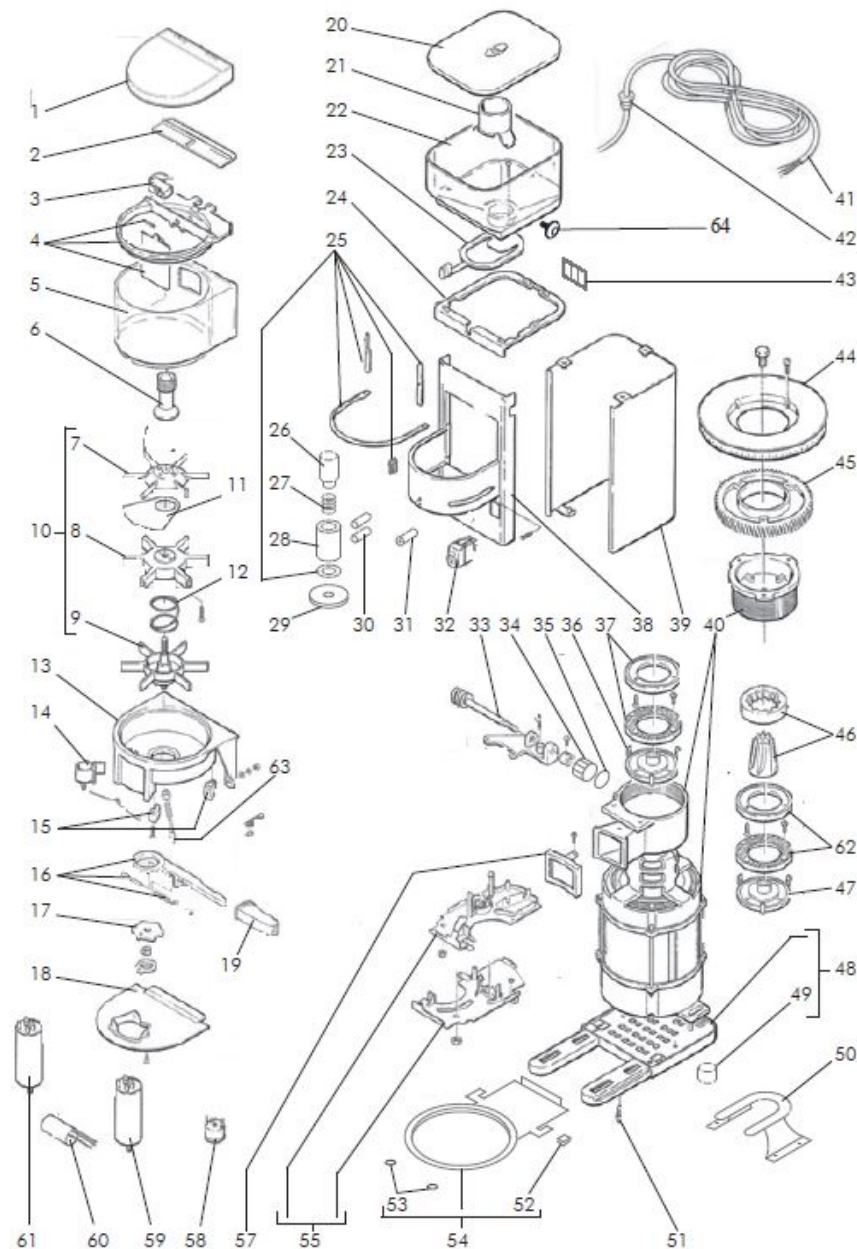


TABLE 2  
BB020NR

POS	CODE	DESCRIPTION
1	0M0603008	DOSER TOP COVER SERIGRAPH.
2	0M0603006	HALF COVER
3	0M0603003	COLLAR
4	0M0603001	BOX DISPENSER
5	0M1603002	DOSER KNOB
6	0M1603004	UPPER CRUISE MN
7	0M0604001	FEMALE CROSS
8	0M0604002	MALE CROSS
9	0M1606004	KIT 3 CRUISES MN ASSEMBLED
10	0M0903001	FIELD DOSING
11	0M0204004	SPRING
12	0M0503001	DOSER
13	0M0603004	STROKE COUNTER
14	0M1606002	BUMPER
15	0M1603005	LEVER
16	0M1101003	STAR
17	0M0603011	DOSER HOLE
18	0M1001001	KNOB
19	0M0602002	HOPPER COVER
20	0M0602005	FINGER SAFETY CAP
21	0M0602015	HOPPER 1,4 KG.WITH PIPE UNION
22	0M0602006	HOPPER LOCK
23	0M0602017	HOPPER COLLAR
24	0M1606005	GASKET KIT
25	0M1607001	COFFEE-PRESS KNOB
26	0M0204005	SPRING
27	5479919	ROD GUIDE TAMPER
28	5221419CM	COFFEE-PRESS D.57
29	5262204	SPACER
30	7633623	BLUE LED

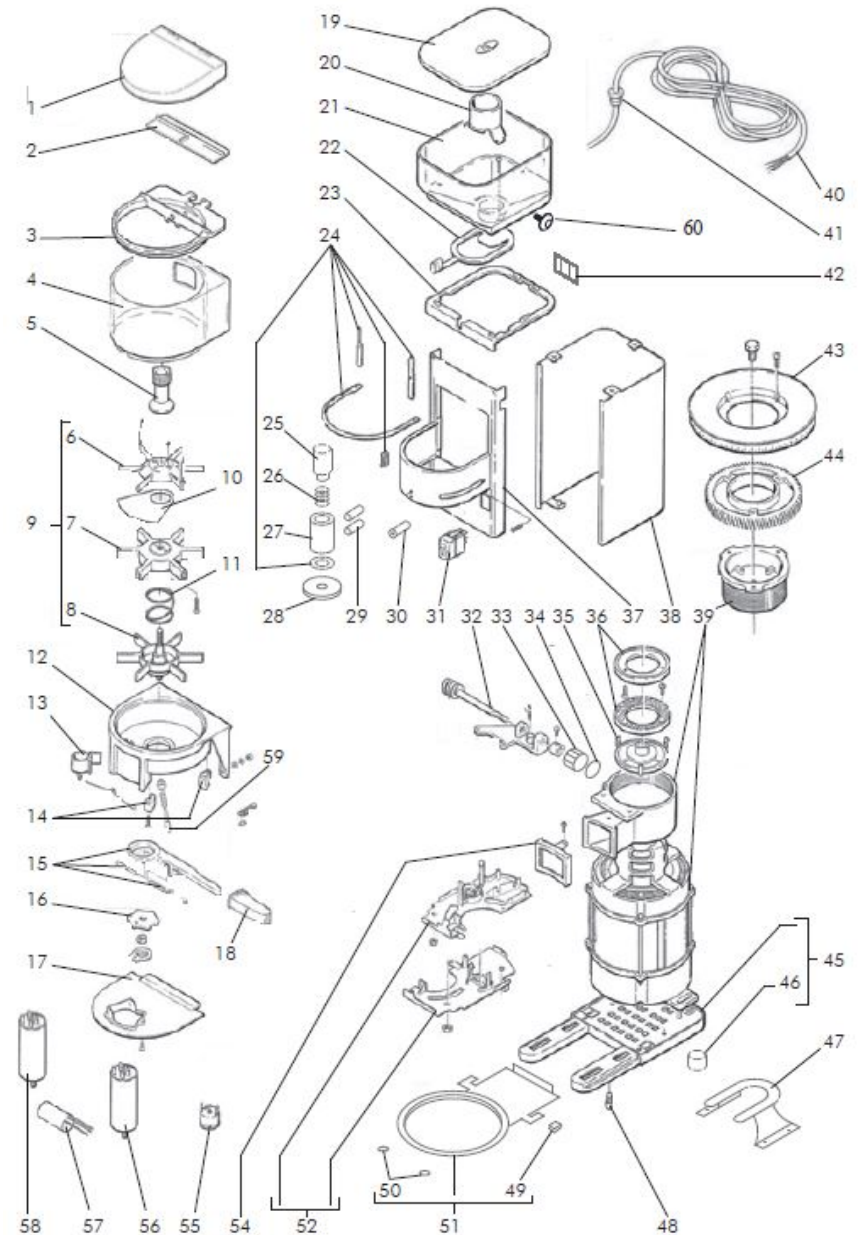
TABLE 2  
BB020NR

TABLE 2  
BB020NR

POS	CODE	DESCRIPTION
31	7633313	BIPOLAR SWITCH BLACK W/ORANGE LED
32	0M1604001	COMPLETE MICROMETER ADJUSTMENT
33	5371814	ADJUSTMENT HANDLE
34	5373930LL	PLUG
35	0M0802002	PAD
36	0M1501001	FLAT GRINDSTONE 64
37	5074475LL	ASSY FRONTAL BB012
38	5071732.01LW	BODYWORK BB012
39	0M1404001	ENGINE 100V 50/60HZ COMPLETE FLAT
39	0M1404002	ENGINE 120V 60HZ COMPLETE FLAT
39	0M1404003	COMPLETE MOTOR 220V 60HZ FOR FLAT
39	0M1404004	COMPLETE MOTOR 230/240V 50HZ FOR
40	0M1201001	CABLE US PLUG 100V50/60HZ-120V60HZ
40	7555001	ELECTRIC CABLE WITH SHUKO PLUG
40	7554001	ELECTRIC CABLE WITH ENGLISH PLUG
40	7552001	ELECTRIC CABLE WITH AUSTRALIAN PLUG
41	0M1201003	FAIRLEAD
42	5521524	ITALIAN FLAG LABEL
43	0M1606007	DISC OF ADJUSTMENT
44	0M0604005	TOOTHED WHEEL
45	0M1601001	PAINTED BASE W/HOLES AND FEET
46	0M1606001	4PZ FEET
47	5079911LW	FORK TAMPER
48	0M1606006	SCREWS KIT
49	7474217	ADHESIVE FEET 12,7 H5,8
50	7999904	ADHESIVE RUBBER TOP
51	5070658LL	BASIN WITH GUMS BB012
52	0M0605003	ELECTRICAL CONTROL SUPPORT
54	0M0301001	GASKET
55	0M1206002	THERMIC SAFETY DEVICE X 100V

TABLE 2  
BB020NR

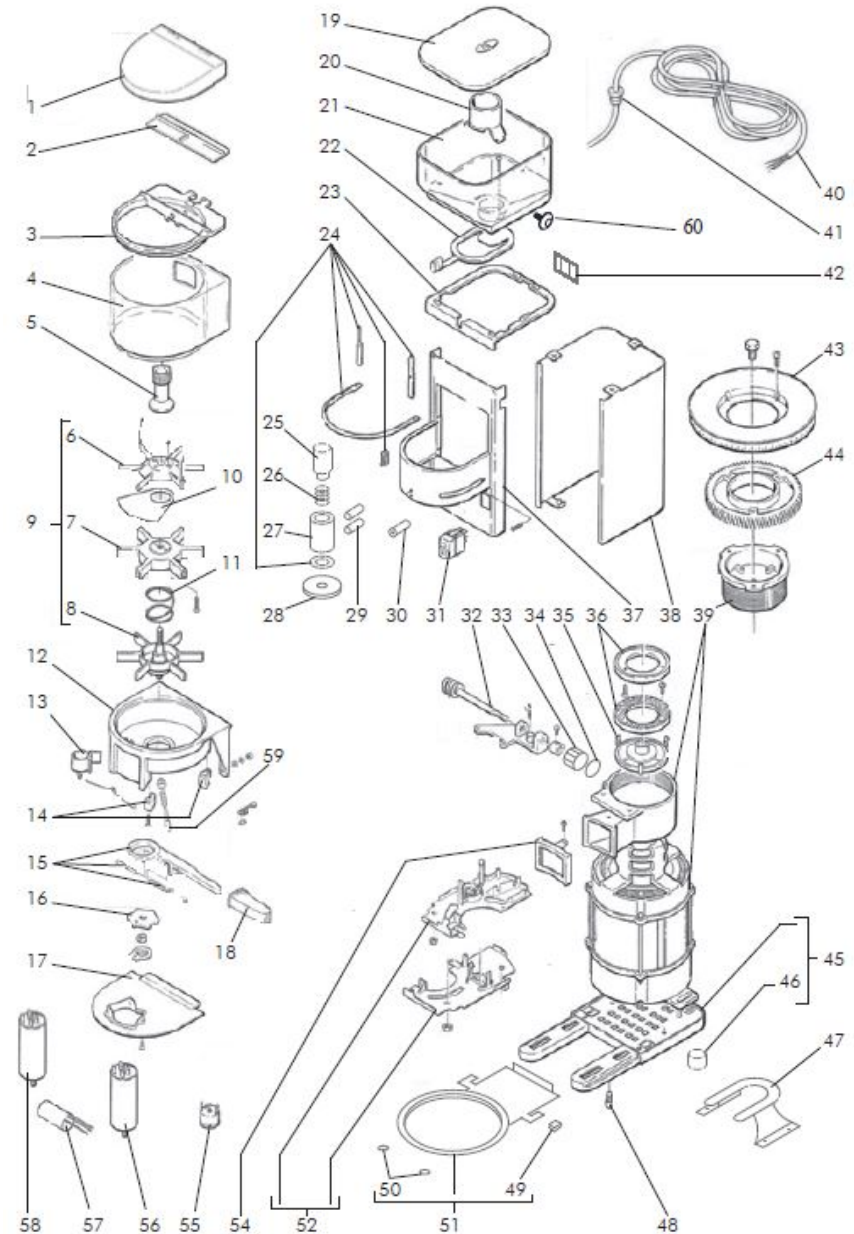


TABLE 2  
BB020NR

POS	CODE	DESCRIPTION
55	0M1206001	THERMIC SAFETY DEVICE X 230/240V 50
55	0M1206003	THERMIC PROTECTION 220V 60HZ
56	0M1204003	CONDENSER 25MF X 100/120V
57	0M1204006	ANTI JAMMING FILTER X 220/230/240V
58	0M1203002	CIRCUIT BREAKER X 100/120V
58	0M1203001	CIRCUIT BREAKER X 220/230/240V
59	0M0204003	COUNTERS SHAFT
60	0M1606014	SCREW KIT OUTSIDE WITH NYLON PLUGS

TABLE 2  
BB020NR

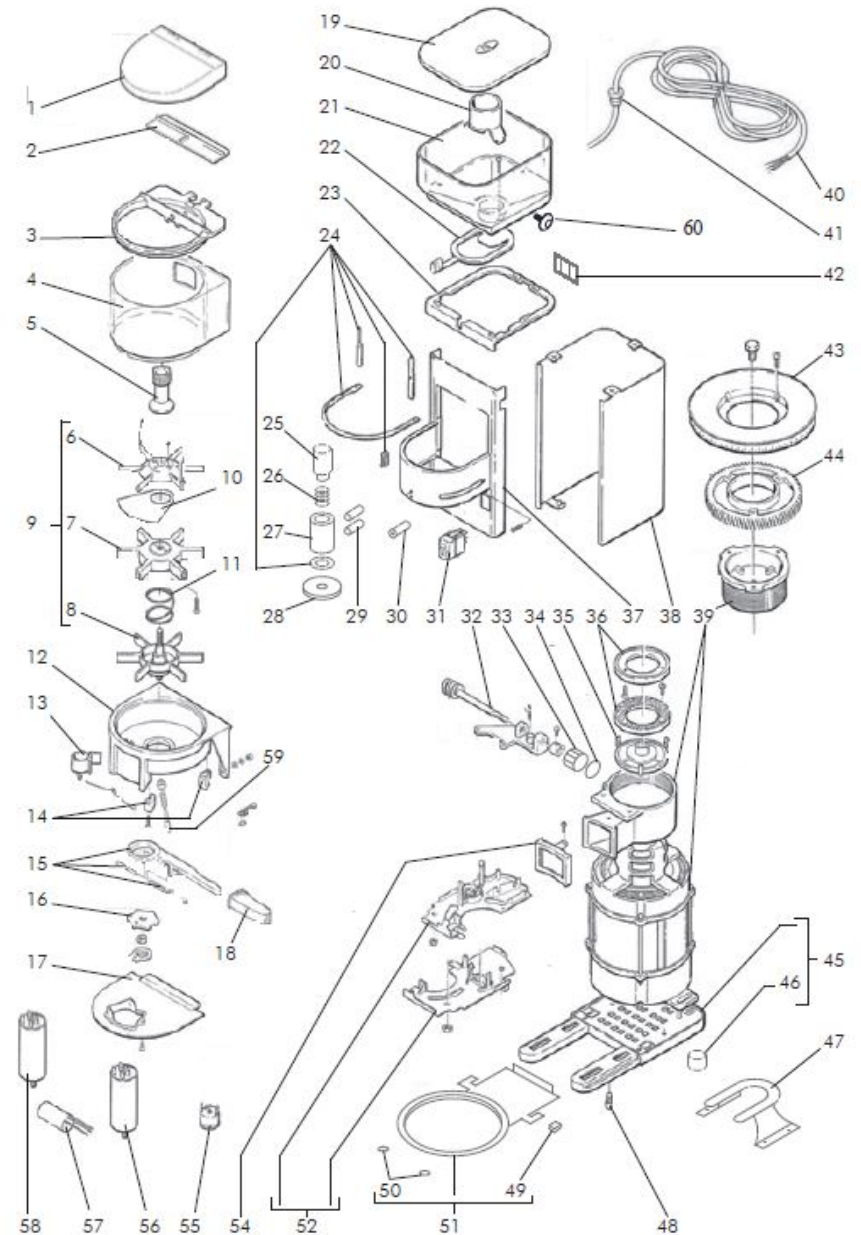


TABLE 3  
BB020TM

POS	CODE	DESCRIPTION
1	0M0602002	HOPPER COVER
2	0M0602005	FINGER SAFETY CAP
3	0M0602015	HOPPER 1,4 KG.WITH PIPE UNION
4	0M1606014	SCREW KIT OUTSIDE WITH NYLON PLUGS
5	0M0602006	HOPPER LOCK
6	5522502	LABLE BEZZERA
7	5371814	ADJUSTMENT HANDLE
8	0M0901048	BB020TM BODY
9	5071806SG	BODY BB020 SILKSCREENED MADE IN ITALY
10	5071807DV	GOLDEN BODY BB020TM
11	7554001	ELECTRIC CABLE WITH ENGLISH PLUG
12	7555001	ELECTRIC CABLE WITH SHUKO PLUG
13	0M1201001	CABLE US PLUG 100V/50/60HZ-120V/60HZ
14	7552001	ELECTRIC CABLE WITH AUSTRALIAN PLUG
15	0M1201003	FAIRLEAD
16	0M1601002	PAINTED BASE WITHOUT HOLES + FEET
17	0M1204001	CONDENSER 10MF X 220/230/240V
18	0M1204006	ANTIJAMMING FILTER X 220/230/240V
19	0M0902002	CONDENSER BRACKET
20	0M1204004	CONDENSER 25MF X 100V-120V X TM
21	0M1204005	CONDENSER 50MF X 100/120V X TM
22	0M1606001	4PZ FEET
23	7474217	ADHESIVE FEET 12,7 H5,8
24	7999904	ADHESIVE RUBBER TOP
25	5070658LL	BASIN WITH GUMS BB012
26	7633313	BIPOLAR SWITCH BLACK W/ORANGE LED
27	0M0904008	FILTER HOLDER FORK
28	0M0904007	FILTER HOLDER BRACKET
29	0M1601018	COMPLETE FILTER HOLDER BRACKET
30	0M1302001	CABLE FOR ELECTRIC BOARD

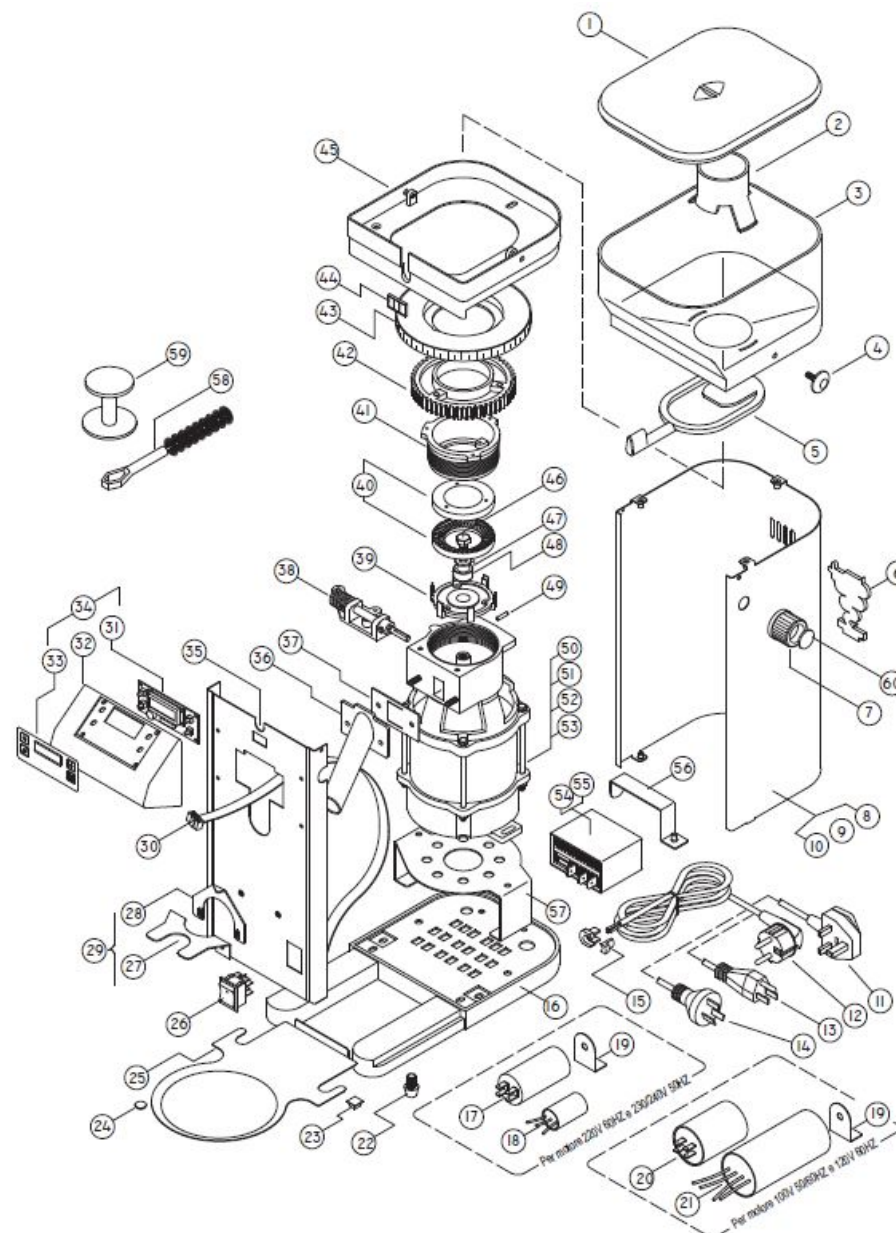
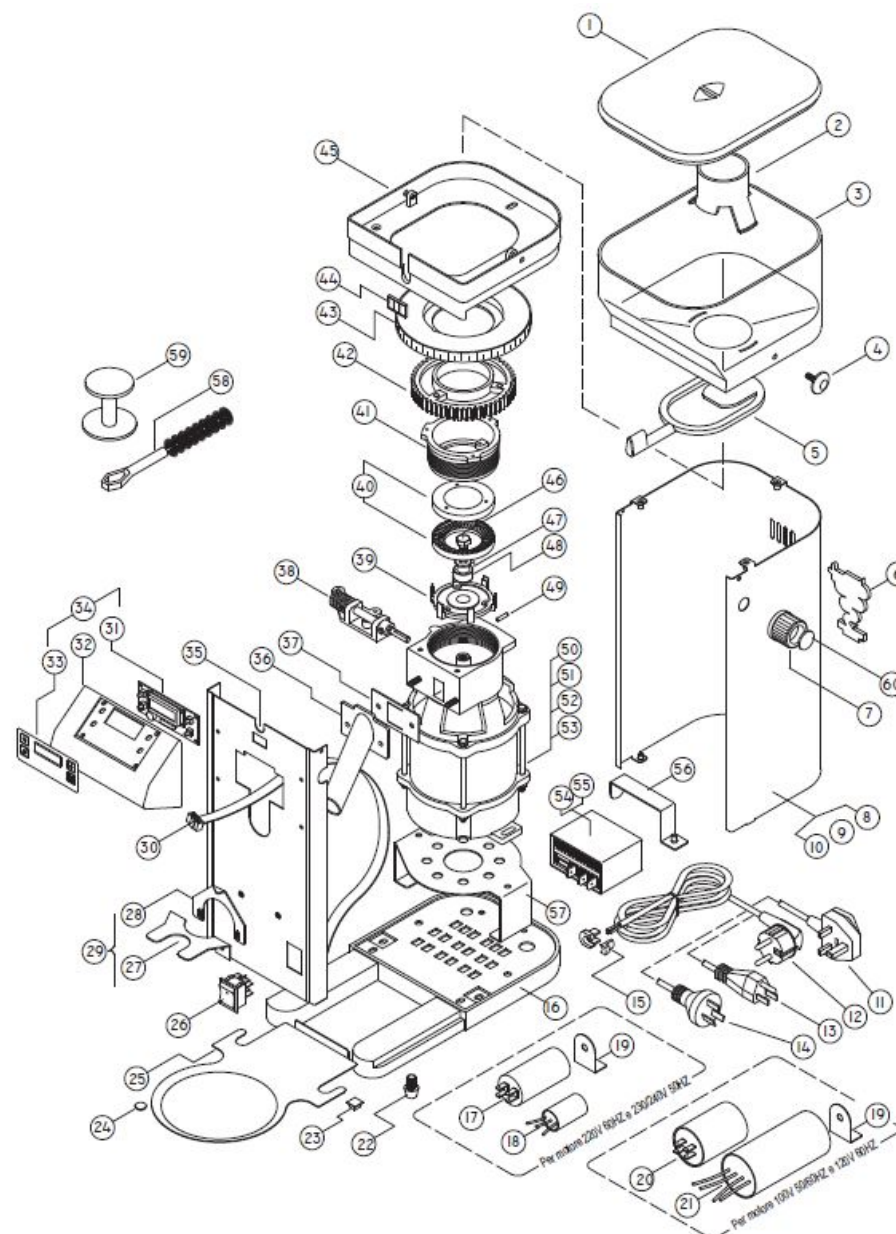
TABLE 3  
BB020TM



TABLE 3  
BB020TM

POS	CODE	DESCRIPTION
31	0M1605001	DISPLAY+ADHESIVE LABEL
32	0M0901044	COVER PANEL
33	0M0401006	PUSH-BUTTON ADHESIVE LABEL
34	0M1605002	COVER PANEL
35	0M0901047	COMPLETE FRONTAL
36	0M0904003	DISPENSER
37	0M0402001	SILICONE MEMBRANE
38	0M1604001	COMPLETE MICROMETER ADJUSTMENT
39	0M0802007	PAD FOR CONICAL GRINDING
40	0M1501001	FLAT GRINDSTONE 64
41	0M0801005	NUT WORKED
42	0M0604005	TOOTHED WHEEL
43	0M1606007	DISC OF ADJUSTMENT
44	5521524	ITALIAN FLAG LABEL
45	0M0602017	HOPPER COLLAR
46	0M0201041	SCREW
47	0M0203011	WASHER
48	0M0206003	COMPASS
49	0M0208017	ELASTIC SPINE
50	0M1404016	COMPLETE TM MOTOR 100V 50/60HZ FOR FLAT GRINDSTONE
51	0M1404015	COMPLETE TM MOTOR 120V 60HZ FOR FLAT GRINDSTONE
52	0M1404013	COMPLETE TM MOTOR 220V 60HZ FOR FLAT GRINDSTONE
53	0M1404014	COMPLETE TM MOTOR 230/240V 50HZ FOR FLAT GRINDSTONE
54	0M1301002	ELECTRONIC BOX X 220/230/240V
55	0M1301001	CONTROL BOX FOR 110/120V
56	0M0902001	CENTRAL UNIT BRACKET
57	0M0902003	ENGINE SUPPORT
58	7990608	BRUSH FOR GRINDER BB005
59	5373001	COFFEE-PRESS ABS
60	5373930LL	PLUG

TABLE 3  
BB020TM



G. BEZZERA S.R.L.  
MACCHINE PER CAFFE' ESPRESSO  
Via Luigi Bezzera, 1  
20088 Rosate - Milano - Italy  
Tel. ++39 02 90848102 r.a. - Telefax ++39 02 90870287  
Web: [www.bezzera.com](http://www.bezzera.com)  
e-mail: [admin@bezzera.it](mailto:admin@bezzera.it)