

Upload mailroom sconosciuto
Contratto: 13046071-001-STD

ORTIFLOR GROUP S.R.L.

CE

- I** Dichiarazione CE di Conformità
Ai sensi della direttiva 2006/42/CE
- F** Déclaration CE de Conformité
Conforme à la directive de la 2006/42/CE
- GB** EEC Declaration of Conformity
Conforming to the Directive 2006/42/CE
- D** Konformitätserklärung
Entsprechend der Richtlinie 2006/42/CE

La Ditta – Nous – We – Wir:

ORTIFLOR GROUP S.R.L.

dichiara sotto la propria responsabilità che la macchina:
déclarons sous notre seule responsabilité que le produit:
declare under our own responsibility that the product:
erklären in alleiniger Verantwortung, daB die machine

Mod: INTERRASASSI BAULATRICE MOD.: TSP 210

MATRICOLA NR. 2021 Year/Baujahr/Année: 2020

E' conforme ai requisiti Essenziali di Sicurezza e di tutela della salute la cui Direttiva CEE 2006/42/CE e consultate per verifica di conformità EN 1553, EN 745.

Faisant l'objet de la déclaration est conforme aux prescriptions fondamentales en matière de sécurité et de santé stipulées dans la Directive de la 2006/42/CE et consultées pour vérification EN 1553, EN 745.

To which this certificate applies, conforms to the basic safety and health requirements of EEC Directives 2006/42/CE and following, we have consulted EN 1553, EN 745.

Auf das sich diese Erklärung bezieht, den einschlagigen grundlegenden Sicherheit und Gesundheitsanforderungen EG-Richtlinie 2006/42CE, EN 1553, EN 745 berücksichtigt.

CURTAROLO, 02/04/2020

Il legale rappresentante:

Le représentant légal:

The legal representative:

Der Bevollmächtigte:

ORTIFLOR GROUP S.R.L.

INTRODUCTION

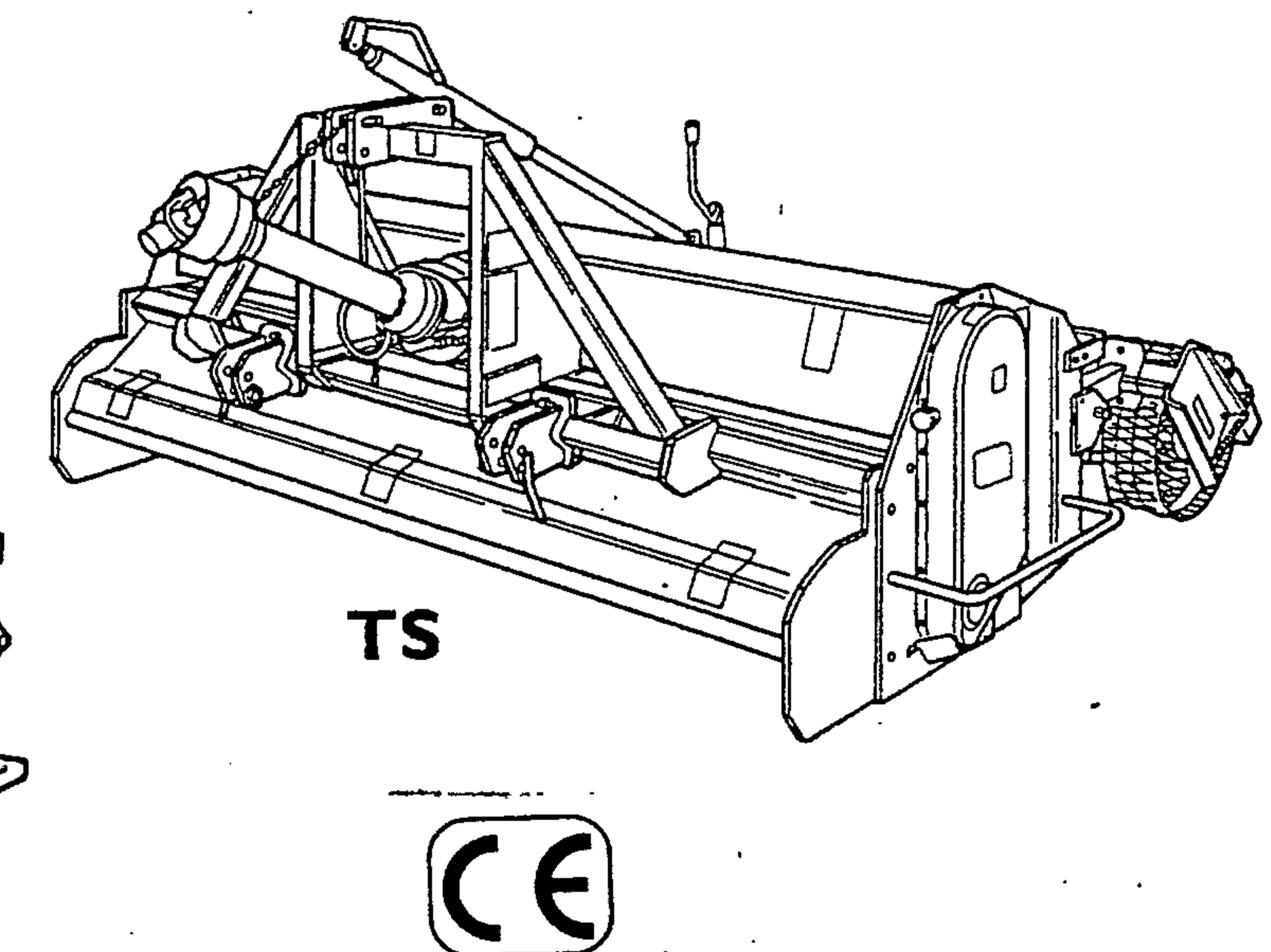
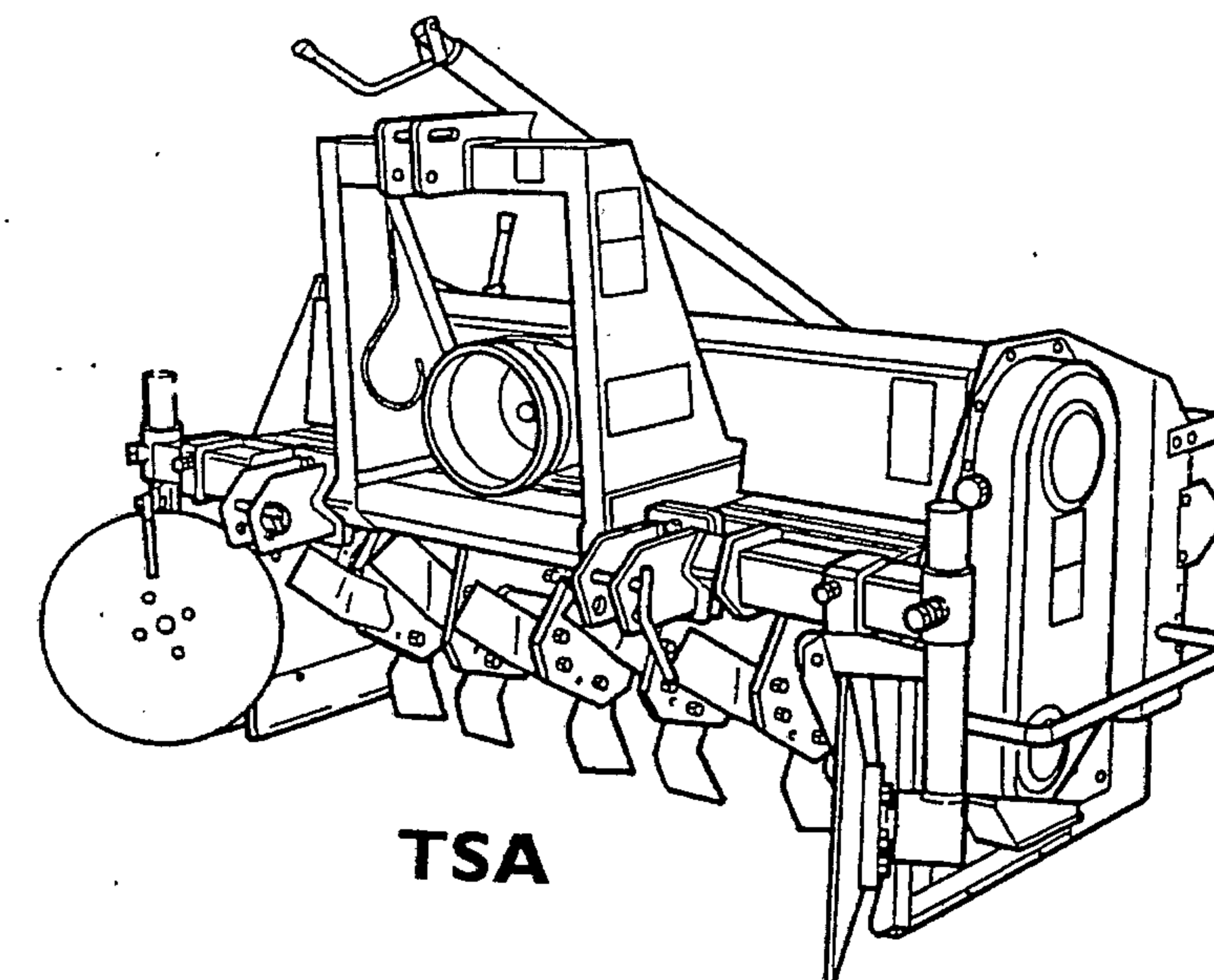
Thank you for purchasing this quality product. ORTIFLOR are pleased that you have become one of their choice customers and hope that you will be fully satisfied with this machine.

STONE-BURYNG AND BED-SHAPING ROTARY CULTIVATOR

Model TSA - TSAP 100-120-145-165-185-210-235-250-300-350-400

STONE-BURYNG ROTARY CULTIVATOR

Model TS - TSR- TSP 100-120-145-165-185-210-235-250-300-350-400



Manuale d'Uso e Manutenzione - Parti di Ricambio

Use and Maintenance Manual - Spare Parts

**ORTIFLOR GROUP
REGISTERED OFFICES**

INDICE

CONTENTS

	3	INTRODUCTION	
PREMESSA	5	SPARE PARTS	3
	6	CE DECLARATION OF CONFORMITY	
RICAMBI	7	WARRANTY CONDITIONS	5
	8	USE	
DICHIARAZIONE CE DI CONFORMITÀ	8	EQUIPMENT	6
	8	TECHNICAL DATA	7
CONDIZIONI DI GARANZIA	9	DANGER-WARNING STICKERS	
	10	ACCIDENT-PREVENTION RULES	8
UTILIZZO	10	FORBIDDEN ACTIONS	
EQUIPAGGIAMENTO	10	STRUCTURAL COMPOSITION OF MODELS TS-TSA	8
	14	TRANSPORT	
DATI TECNICI	14	FUNCTIONAL CHARACTERISTICS	8
	15	MACHINE INSTALLATION	9
ADESIVI DI RIFERIMENTO	17	USE IN THE FIELD	
	18	MAINTENANCE	10
NORME ANTINFORTUNISTICHE	20	MACHINE DISCONNECTION	
	21	TOOLS	10
DIVIETI	22	OPERATING TEST AFTER MAINTENANCE	
COMPOSIZIONE STRUTTURALE M	22	WARNINGS AND IMPORTANT OPERATING RULES	10
	23	INSTRUCTIONS FOR EMERGENCIES	
TRASPORTO	23	EXTENDED PERIODS OF INACTIVITY	14
	23	RESTARTING	14
CARATTERISTICHE FUNZIONALI	24	DEMOLITION AND DISPOSAL	
INSTALLAZIONE DELL'ATTREZZO	26	SPARE PARTS	15
UTILIZZAZIONE SUL CAMPO			17
MANUTENZIONE			18
SGANCIAMENTO DELLA MACCHINA			20
UTENSILI			21
PROVA FUNZIONAMENTO DOPO INTERVENTI DI MANUTENZIONE			22
AVVERTENZE E NORME D'USO IMPORTANTI			22
ISTRUZIONI PER LE SITUAZIONI DI EMERGENZA			23
PERIODI DI LUNGA INATTIVITÀ			23
RIMESSA IN FUNZIONE			23
DEMOLIZIONE E SMALTIMENTO			24
PARTI DI RICAMBIO			26

INTRODUCTION

- ☞ This instruction manual is an integral part of the machine and provides operating and maintenance operators with the information needed to use the machine correctly.
- ☞ The contents of this instruction manual, drawings, tables, etc. are the property of ORTIFLOR and therefore it is illegal to reproduce or divulge all or part of such information to third parties without ORTIFLOR's authorisation.

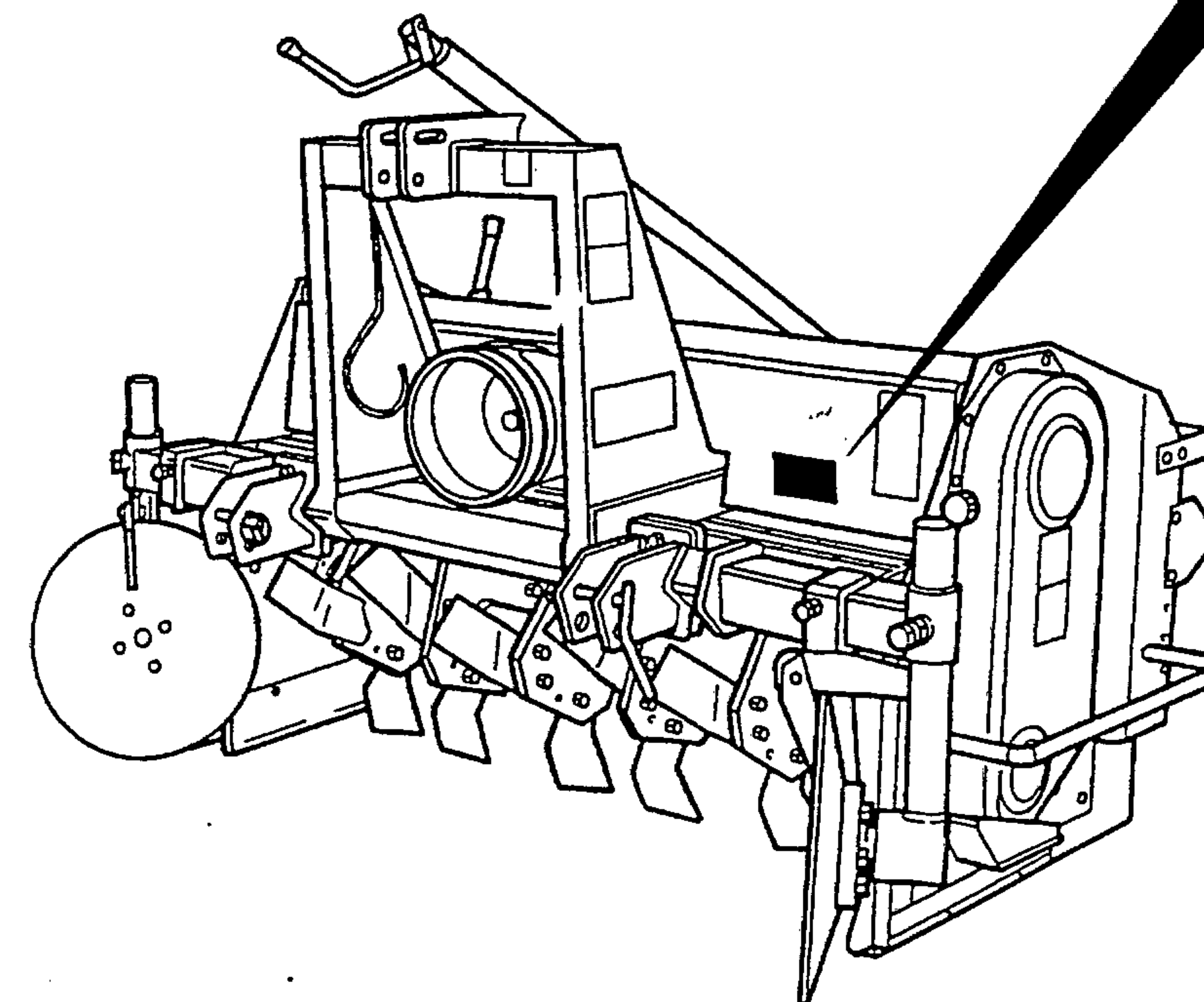
ORTIFLOR reserve the right to make any changes they deem necessary at any time and without prior notice.

CE identification plate

Targhetta di identificazione CE



ORTIFLOR VIA DUSE 22/A - 34170 GORIZIA			CE
MOD. TSP210	MATR. 2021	ANNO. 2020	
COPPIA MAX.	POTENZA MAX.		kW
N° GIRI MAX 1000 giri/1'	PORTATA MASSIMA		
MASSA A VUOTO 1200 kg	TENSIONE		V



MOD.
SERIAL NO.
YEAR
MAX. TORQUE
MAX. POWER
MAX. RPM
MAXIMUM POWER kW
WEIGHT Kg
VOLTAGE V

ORTIFLOR

NOTE

NOTES

All rights reserved.

It is forbidden to reproduce this booklet.

In accordance with the law (art. 2106 C.C. and articles 621-622 P.C.) it is expressly forbidden to reproduce, in any form (printing, photocopies, microfilms or other means) to elaborate, reproduce or to diffuse through electronic system and to divulge information pertaining to the technology and production methods of the plants or to use them, on one's behalf or for third parties, in competition with the company, in a way that inflicts damage on that company.

Tutti diritti sono riservati.

E' proibita la riproduzione di questo libretto.

Ai sensi di legge (art. 2106 C.C. e artt. 621-622 C.P.) è fatto espresso divieto di riprodurre, in qualsiasi forma (stampa, fotocopie, microfilms o altri mezzi) e così pure l'elaborazione, la riproduzione o la diffusione mediante sistemi elettronici e divulgare notizie attinenti alla tecnologia e ai metodi di produzione degli impianti o farne uso, per conto proprio o di terzi, in concorrenza con la Società, in modo da poter recar danno ad essa.



ATTENZIONE



WARNING

- ☞ **The manufacturer will not be held responsible for damage caused by any arbitrary change to the machine, non-compliance with scheduled maintenance operations or any other improper use.**

Users should request ORTIFLOR directly for any changes specifying all of the machine characteristic data and the reasons for such changes. If approved, only personnel authorised by ORTIFLOR can make the relative modifications and only according to the company's specific instructions.

- ☞ **Only personnel who are familiar with the particular features of the machine and the relative safety procedures can operate the machine.**
- ☞ **Compliance with accident prevention rules and any other safety and industrial medicine requirements is mandatory.**

SPARE PARTS

- ☞ **Remember that the customer must buy only original spare parts. Spare parts can be assembled and disassembled only by maintenance people with electrical or mechanical expertise.**
- ☞ **The use of non-original spare parts and defective or incorrect assembly free the manufacturer from any liability.**

**CE DECLARATION OF CONFORMITY
PURSUANT TO DIRECTIVE 89/392**

ORTIFLOR

declare under their exclusive responsibility that the product:

**STONE-BURYING AND BED-SHAPING ROTARY CULTIVATOR
Model TSA 100-120-145-165-185-210-235-250****STONE-BURYING ROTARY CULTIVATOR
Model TS 100-120-145-165-185-210-235-250**

to which this declaration refers, conforms to the following standards:

UNI EN 292-1 November 1992

UNI EN 292-2 November 1992

CEI EN 60204-1 September 1993

based on what is set forth in the directive:

EEC 89/392

and subsequent supplements EEC 91/368, EEC 93/44 and EEC 93/68.

Gorizia

02/04/2020
(place and date)

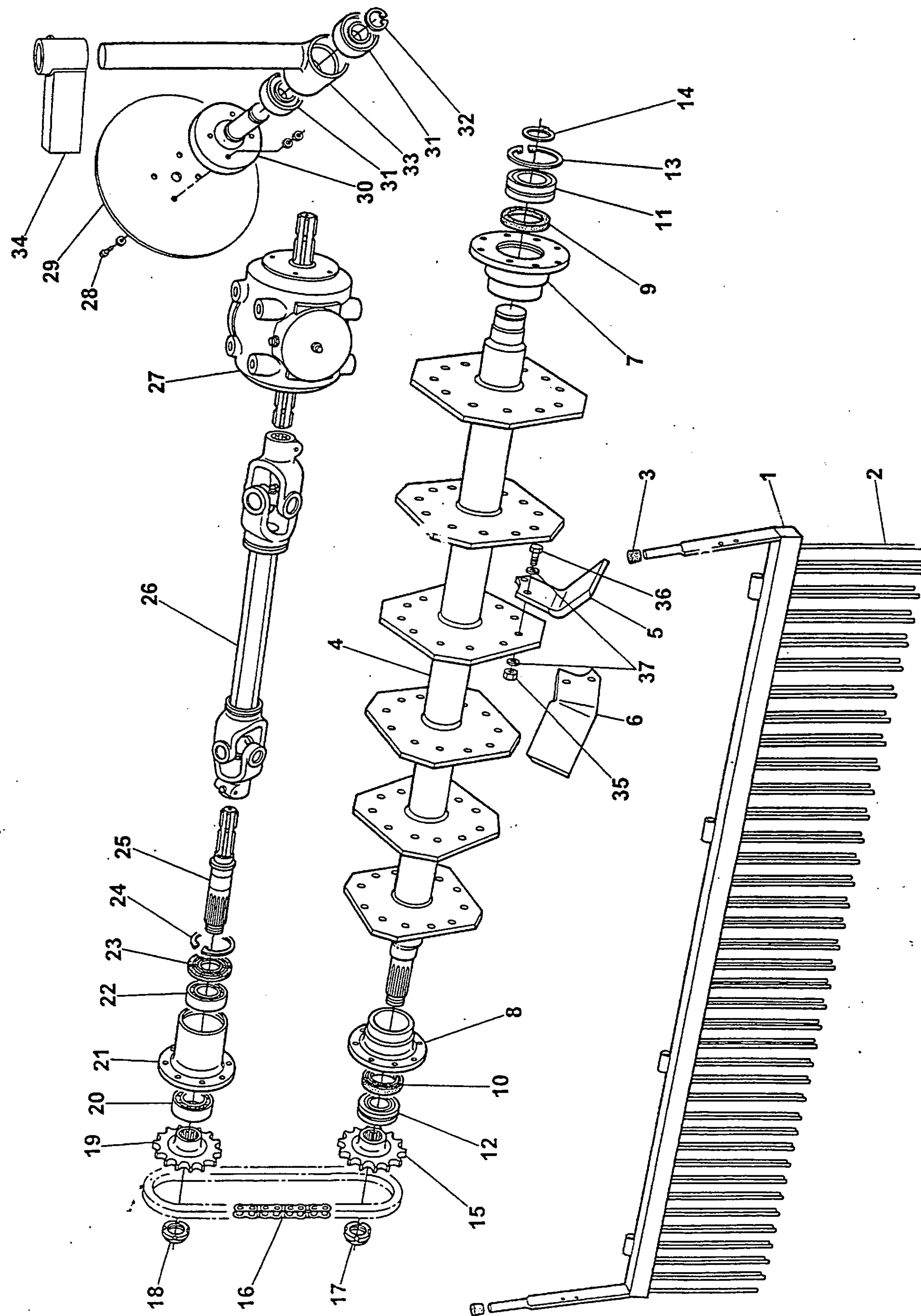
The form used for this declaration conforms to EN 45014

Il modello della presente dichiarazione è conforme alla Norma EN 45014

TAB - 1 GRUPPO MACCHINA ROTORE

N°	Q.	COD.	DESCRIZIONE	DESCRIPTION
1	1	TS/A 01	CREMAGLIERA	RACK
2	-	TS/A 02	DENTE CREMAGLIERA	RACK TOOTH
3	2	TS/A 03	TAPPO	PLUG
4	1	TS/A 04	ROTORE	ROTOR
5	-	TS/A 05	ZAPPETTA DX	HOE DX
6	-	TS/A 06	ZAPPETTA SX	HOE SX
7	1	TS/A 07	SUPPORTO	SUPPORT
8	1	TS/A 08	SUPPORTO	SUPPORT
9	1	TS/A 09	PARAOLIO	OIL SEAL
10	1	TS/A 10	PARAOLIO	OIL SEAL
11	1	TS/A 11	CUSCINETTO	BEARING
12	1	TS/A 12	CUSCINETTO	BEARING
13	1	TS/A 13	SEEGER	SEEGER RING
14	1	TS/A 14	SEEGER	SEEGER RING
15	1	TS/A 15	PIGNONE INFERIORE	LOWER PINION
16	1	TS/A 16	CATENA	CHAIN
17	1	TS/A 17	GHIERA	RING NUT
18	1	TS/A 18	GHIERA	RING NUT
19	1	TS/A 19	PIGNONE SUPERIORE	UPPER PINION
20	1	TS/A 20	CUSCINETTO	BEARING
21	1	TS/A 21	SUPPORTO	SUPPORT
22	1	TS/A 22	CUSCINETTO	BEARING
23	1	TS/A 23	PARAOLIO	OIL SEAL
24	1	TS/A 24	SEEGER	SEEGER RING
25	1	TS/A 25	ALBERO SCANALATO	SPLINED SHAFT
26	1	TS/A 26	GIUNTO CARDANICO	UNIVERSAL JOINT
27	1	TS/A 27	RIDUTTORE	REDUCTION GEAR
28	4	TS/A 28	VITE	SCREW
29	1	TS/A 29	DISCO	DISK
30	1	TS/A 30	MOZZO	HUB
31	2	TS/A 31	CUSCINETTO	BEARING
32	1	TS/A 32	SEEGER	SEEGER RING
33	1	TS/A 33	SUPPORTO DISCO	SUPPORT
34	1	TS/A 34	SUPPORTO SUPERIORE TELESCOPICO	UPPER SUPPORT

TAB-1 GRUPPO MACCHINA ROTORE



LEGGERE ATTENTAMENTE!!

READ CAREFULLY!

WARRANTY CONDITIONS

New machines are covered by a 12-month warranty from the date of delivery.

Date of delivery refers to the delivery note that must always indicate the machine model and serial number.

For parts not built in ORTIFLOR facilities, the warranty is limited to the coverage provided by the manufacturer.

During the warranty period, ORTIFLOR pledge to repair or replace defective parts free of charge.

Actions taken to identify the defects and their causes must be carried out in our facilities located in GRANTORTO (PD) - 35020 - Via Umberto 1°, 79.

The buyer will pay for any expenses relative to inspections made by ORTIFLOR, the transport and packaging of parts to repair or to replace, as well as the labour required to assemble those parts.

Components repaired or replaced with non-original parts will invalidate the warranty. The warranty will also be invalidated if operations are carried out that are not indicated in the manual and without our authorisation.

The warranty does not cover the parts that by their nature or use are subject to wear and tear or to poor maintenance. In no case will the buyer have the right to request compensation for damages of any type.

The Customer must check that the machine, upon delivery, corresponds to what is requested in the contract and has not been damaged during transport. In such case, the customer should not use the machine and must inform ORTIFLOR or the supplier within 6 days.

Responsibility is limited only to repairs or replacement of parts that in the manufacturer's unchallengeable opinion are found to be defective.

Complete machine replacement is excluded from this warranty and requests for any compensation for damages caused or lack of production will not be acknowledged.

The warranty does not include:

- Accidental damage due to transport
- Damage caused by incorrect use, negligence or inadequate maintenance.
- Operating defects caused by incorrect installation.
- Electrical parts.

USE

ORTIFLOR is ideal for working heavy soil or soil with stones.
In just one passage the system can bury rocks and large clods or eliminate old vegetation residues or other debris, leaving a fine and levelled layer of soil on the surface that is perfect for seeding or transplanting.
ORTIFLOR is available in two versions: one that works on flat soil and another that shapes a raised seed-bed at the same time (max. height 25 cm).

EQUIPMENT

GEAR BOX		
P.T.O. RPM	540	
CARDAN SHAFT		
MODEL	TSA	TS
	100	100
	120	120
	145	145
	165	165
	185	185
	210	210
	235	235
	250	250

TECHNICAL DATA

Model		100	120	145	165	185	210	235	250
Tractor power	Kw	26-29	29-37	37-48	43-51	51-68	68-74	74-83	74-83
	HP	35-40	40-50	50-65	60-70	70-90	90-100	100-110	100-110
Cardan Shaft with clutch		Calibration 50 HP					Calibration 80 HP		

ORTIFLOR

MACCHINE PER ORTICOLTURA FLORICOLTURA E VIVAISMO

**MACHINES FOR HORTICULTURE, FLORICULTURE
AND GREEN NURSERIES**

**SPARE
PARTS**

**PARTI
DI RICAMBIO**

ORTIFLOR

- It is recommended to wear safety clothing (shoes, glove, etc.) during all operations (installation, operating the machine, disconnecting, maintenance, etc.).

INSTRUCTIONS FOR EMERGENCIES

TYPE OF FIRE-FIGHTING EQUIPMENT TO USE

In case of fire, take action in accordance with current standards.

It is recommended to use powder extinguishers that comply with current standards.

WARNINGS ABOUT POSSIBLE EMISSION OF DANGEROUS SUBSTANCES

In case of fire, remember that the fuel in the tractor may explode!

To prevent this from happening, refer to the current standards.

Avoid open flames near the machine.

Always keep the machine clean and free from material that may be easily inflammable.

EXTENDED PERIODS OF INACTIVITY

The following operations must be performed by a mechanical maintenance man. Before putting the machine into its parking area, check it and perform the following operations:

WARNING:

When parking the machine, the place where it is stored must be:

- dry.
- protected from the weather.
- guarded or closed to prevent unauthorised persons from accessing the machine.

It is certainly to the benefit of the operator for the machine to be in perfect working conditions when it will be used again.

RESTARTING

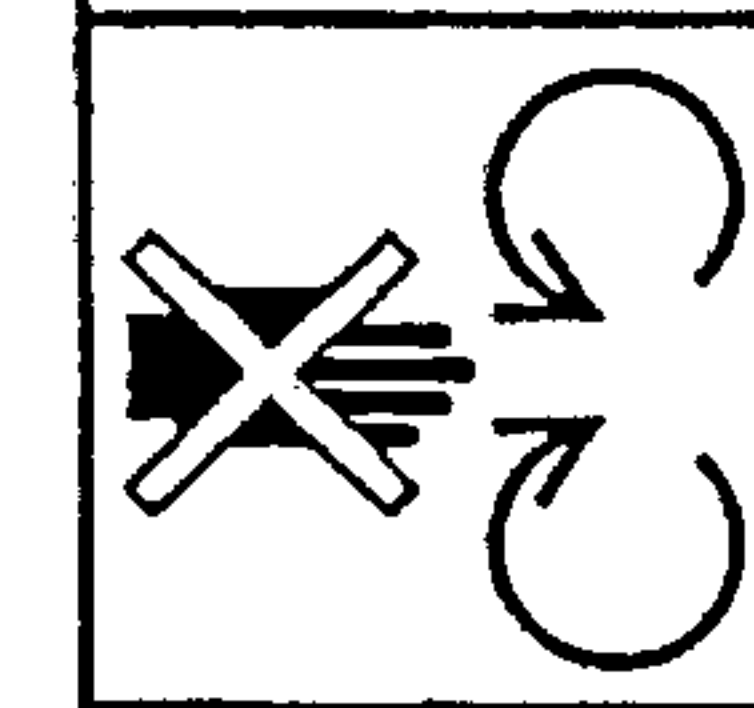
This operation must be performed by a mechanical maintenance man. Check that the machine's safety devices are operating efficiently and check the general conditions of the machine.

DANGER-WARNING STICKERS

SYMBOL LEGEND



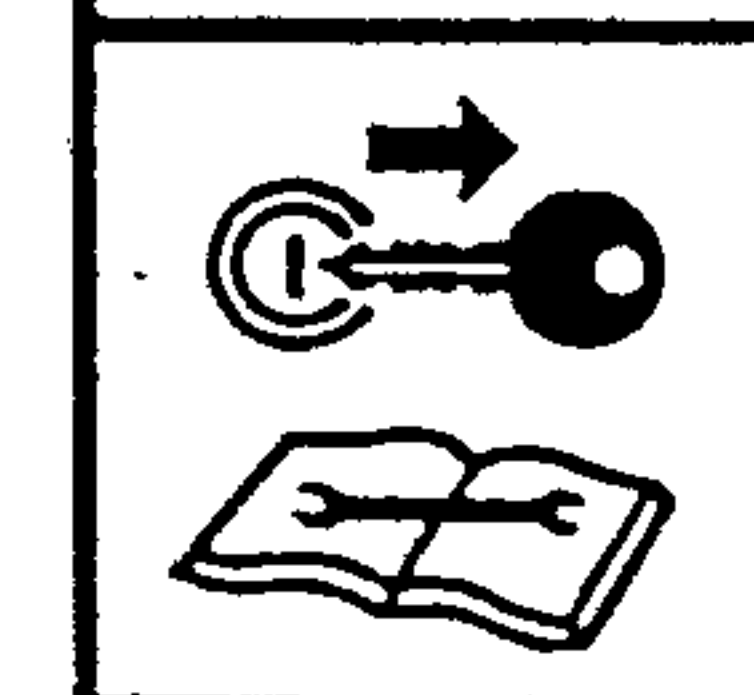
PERICOLO: di trascinarsi con organi in rotazione.



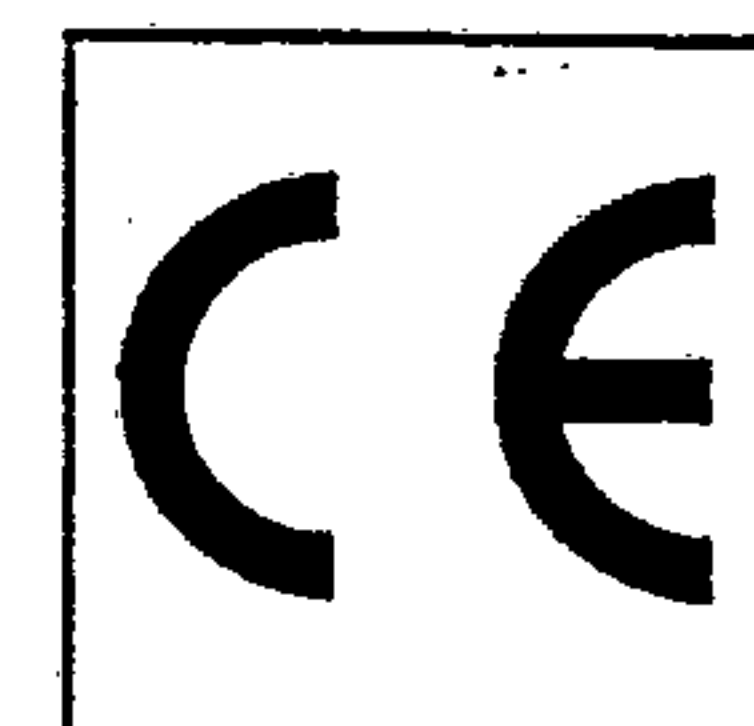
A



Leggere le istruzioni prima della messa in moto.



C

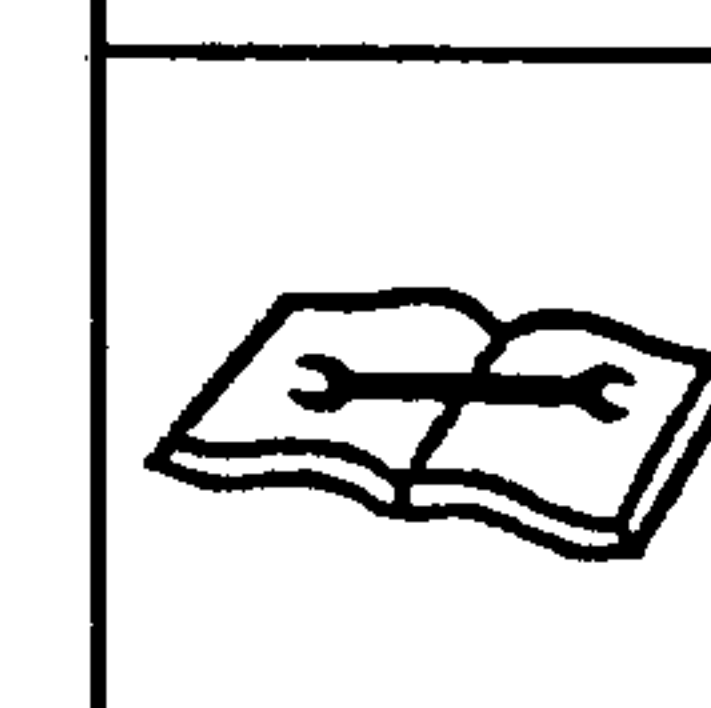


Marchatura CE

E



Non eseguire manutenzione sull'attrezzatura con trattore avviata, e senza aver letto il manuale.



B



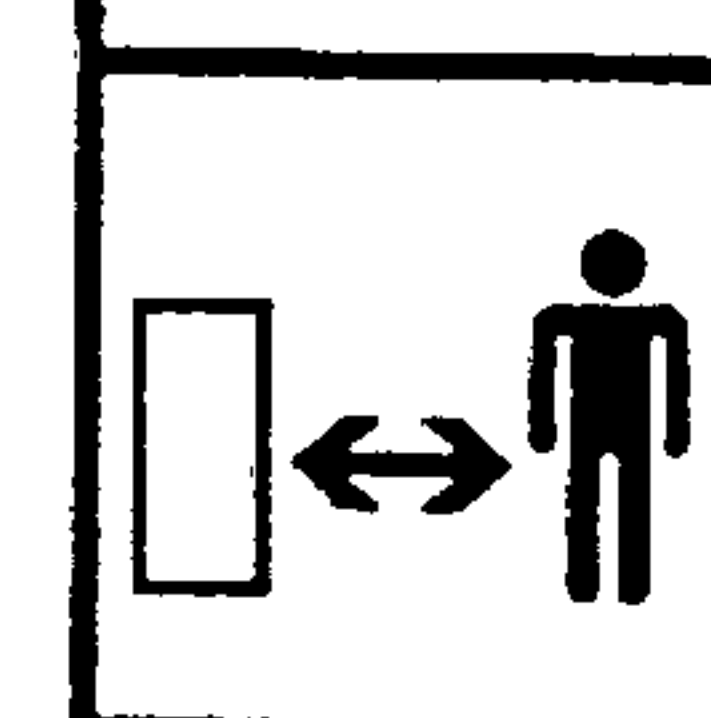
Leggere attentamente il libretto istruzioni prima di utilizzare l'attrezzatura.



D



PERICOLO: di schiacciamento con il rotore in rotazione, mantenere un'adeguata distanza.



F

- A DANGER of being dragged by rotating parts.
- B Do not carry out maintenance on equipment while the tractor is running and without having read the manual.
- C Read the instructions before starting.
- D Carefully read the instruction booklet before using the equipment.
- E CE Mark
- F DANGER of being crushed while the rotor is turning. Stand a safe distance away.

ACCIDENT-PREVENTION RULES

The machine can be operated and used only by authorised personnel who have read and understood the contents of this manual.

Before starting the machine, make sure that the safety devices are in good condition and operate correctly.

Before starting to work, the user must be completely familiar with machine controls, following the instructions in this manual.

FORBIDDEN ACTIONS

- It is forbidden: to remain within the machine's range of operation.
- It is forbidden: to move or tamper with the safety devices and the danger-warning stickers.
- It is forbidden: to carry out any maintenance or replacement operations or repairs while the machine is in operation.
- It is forbidden: to modify the original machine configuration since such an operation will invalidate the warranty.
- It is forbidden: to use the machine for purposes other than those for which it was designed.
- It is absolutely forbidden to weld metal parts on the frame of the machine.

STRUCTURE (Fig. 1)

The machine consists of the following parts:

Model TSA

- 1) Disk
- 2) Depth adjusting wheel
- 3) Cardan-shaft protection
- 4) Rotor
- 5) Blade
- 6) Oil filler plug
- 7) Sifting rack cover
- 8) Depth-adjusting wheel
- 9) Levelling tail gate
- 10) Sifting rack
- 11) Upper guard
- 12) Adjustment crank for tail gate
- 13) Cardan support hook
- 14) Disk support
- 15) Telescopic disk-supporting bar

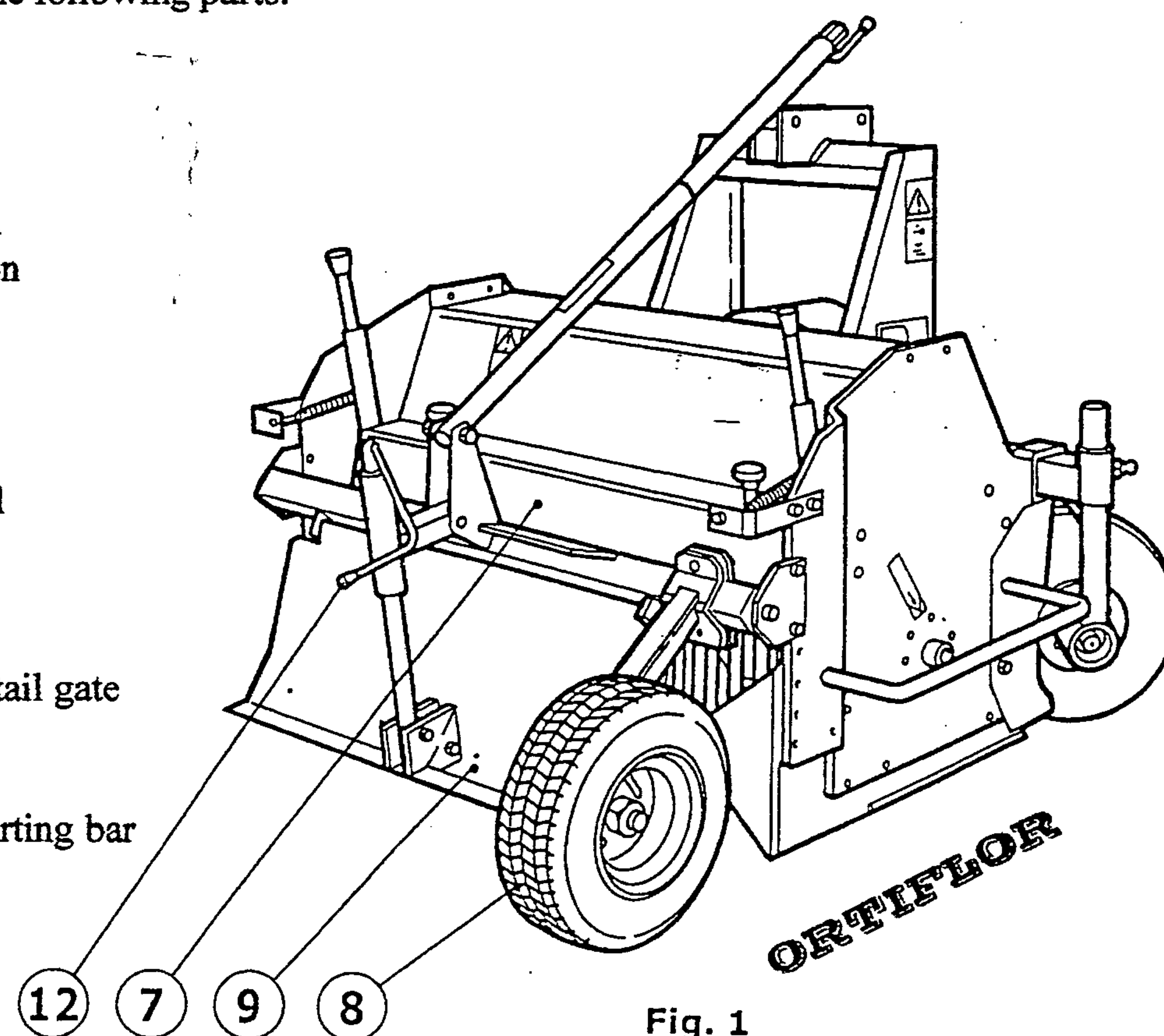


Fig. 1

DEMOLITION AND DISPOSAL

The machine does not contain substances or parts that are dangerous to man or the environment since it is made with completely recyclable materials or those for which normal disposal procedures can be used.

Use specialised and authorised companies to demolish the machine.

Before disassembling the machine, make sure that there is enough space around it to make the operations as easy as possible.

In any case, also ensure that each part of the machine is disposed of pursuant to the current laws in the country where it is used.

OPERATING TEST AFTER MAINTENANCE

In order to perform an operating test after performing repairs and/or maintenance operations, follow the steps described below.

- 1) Place the machine on the ground.
- 2) Let the rotor turn for a few minutes at the P.T.O.'s normal operating speed (540 rpm).

WARNINGS AND IMPORTANT OPERATING RULES

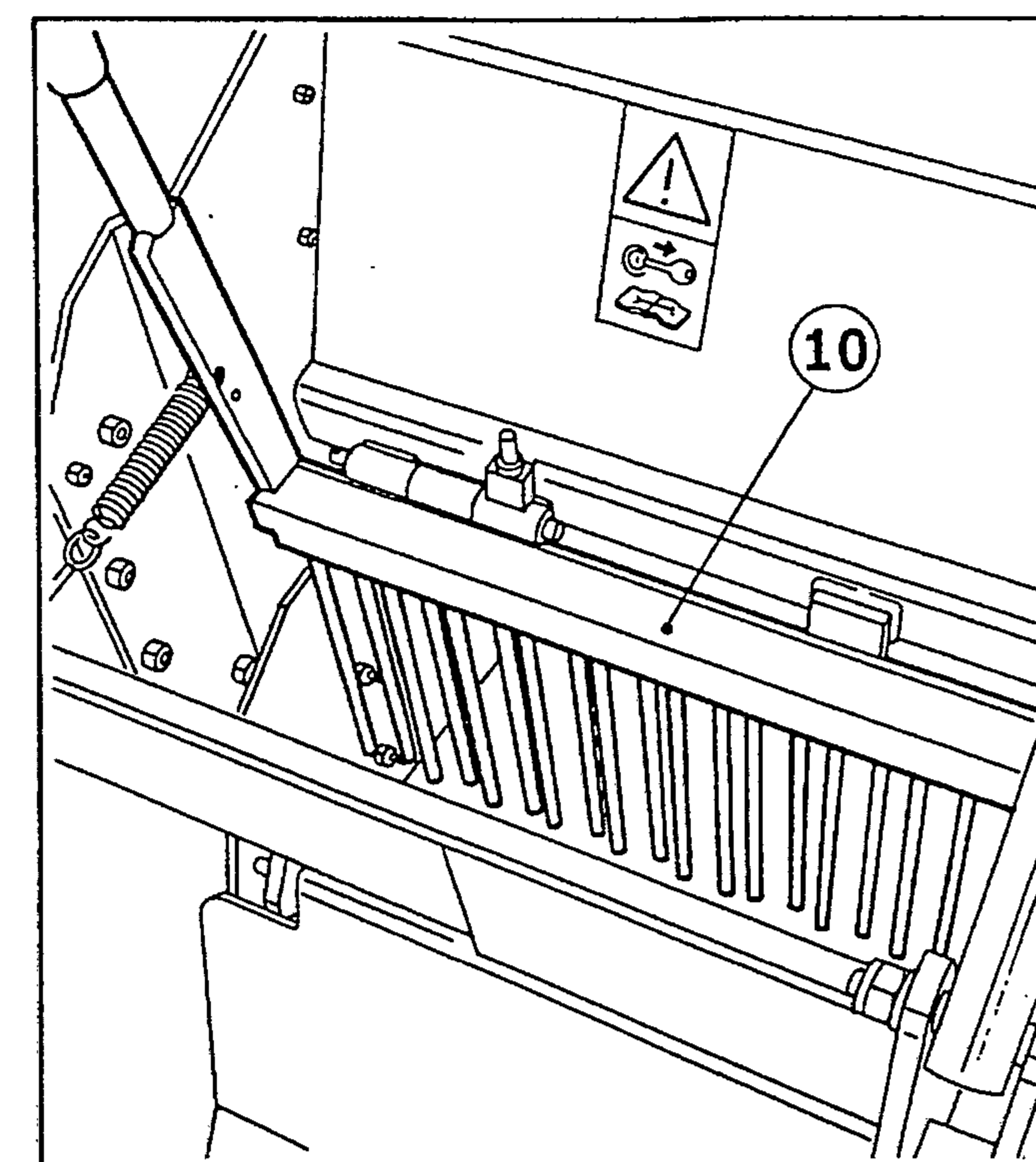
- 1) Always start the machine slowly and begin working only when the P.T.O. has reached its rated operating speed (540 rpm).
- 2) If the machine remains inactive for an extended period of time:
 - thoroughly clean the machine;
 - check its conditions and do what is necessary to ensure that it will be ready for use when required.
- 3) The first time the machine is used again:
 - grease all supports;
 - check the oil levels;
 - check the transmission;
 - before re-connecting the cardan shaft, check that it is the one that was supplied with this machine rather than one from another machine; the protections of the cardan shaft must be undamaged and complete.

PERIODICALLY CHECK THE CONDITION OF ALL THE PROTECTION DEVICES: REPLACE THOSE THAT ARE DEFORMED, BROKEN OR MISSING.

- When a machine is connected to the tractor, weights must be distributed on the axles: re-balancing by adding ballast on the lightened axle may be necessary.
- When travelling on public roads, carefully follow the rules in force in your country.

It is absolutely forbidden to use the machine as a vehicle for transporting persons or things. THE MANUFACTURER WILL NOT BE HELD RESPONSIBLE FOR ANY ACCIDENTS.

- Use tractors that are suitable for lifting the machine in question (see the weight indicated on the CE plate). Using a too-small tractor may be very dangerous.
- Always remain properly seated on the tractor while using the machine.
- Before leaving or abandoning the machine, disconnect the P.T.O., place the machine on the ground, engage the brake on the tractor, turn off the engine and remove the keys from the instrument panel.



ORTIFLOR

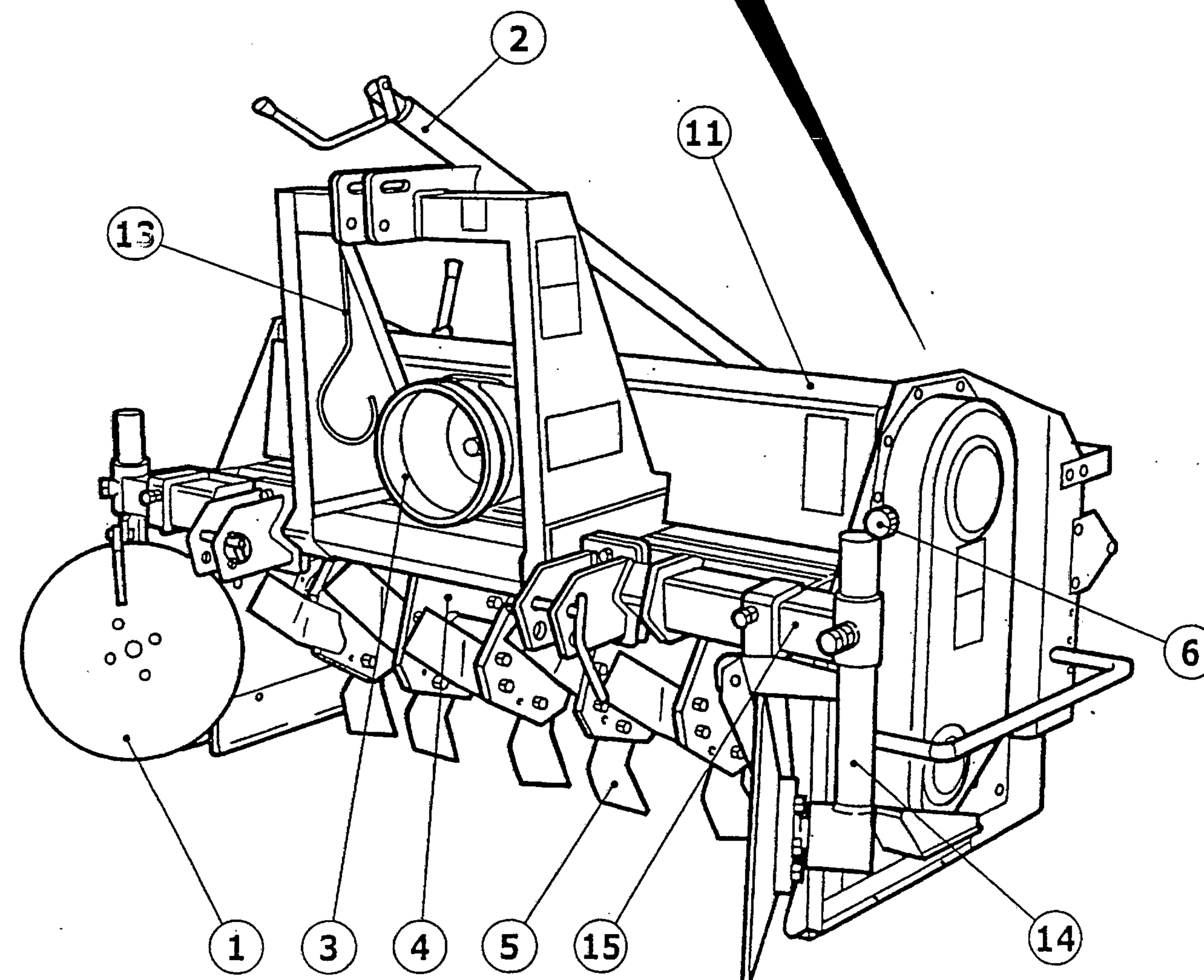


Fig. 1

COMPOSIZIONE STRUTTURALE (Fig. 2)

Essa è composta da:

Mod. TS

- 1) Carter anteriore
- 2) Registro altezza rullo livellamento
- 3) Cuffia
- 4) Rotore
- 5) Zappetta
- 6) Tappo riempimento olio
- 7) Manovella regolazione sponda di spianatura
- 8) Rullo a gabbia
- 9) Sponda di spianatura
- 10) Rastrelliera
- 11) Carter superiore
- 12) Carter rastrelliera
- 13) Gancio sostegno cardano

STRUCTURE (Fig. 2)

The machine consists of the following parts:

Model TS

- 1) Front guard
- 2) Crank for height adjustment of levelling rear roller
- 3) Cardan-shaft protection
- 4) Rotor
- 5) Blade
- 6) Oil filler plug
- 7) Adjustment crank for tail gate
- 8) Cage roller
- 9) Levelling tail gate
- 10) Sifting rack
- 11) Upper guard
- 12) Sifting rack cover
- 13) Cardan support hook

TOOLS

Our original blades, the result of thorough research and experience, are made of high-quality steel.

The special heat treatments which these tools undergo guarantee enhanced hardness and excellent wear resistance.

The connection screw, M14x15, made of steel of 8.8 class and resistance, provides a secure anchor point.

To ensure proper balance, NEVER mount non-original tools on the rotor or a different type than those mounted by the manufacturer when the machine is delivered.

Dimensions and weights are strictly checked: if the tools are replaced completely or in part, the rotor does not require a new dynamic balancing.

The balanced rotors do not transmit vibrations to the machine.

One or more broken or worn blades may generate vibrations. Replace them, if necessary.

BLADE REPLACEMENT

The P.T.O. must be removed from the machine before the operations described below are performed.

- 1) Put the machine on a level surface; engage the brake and turn off the tractor engine.
- 2) Unscrew the bolts (A - Fig. 13).
- 3) Replace the blades (B) and the bolts, if necessary.

WITH OUR ORIGINAL SPARE PARTS YOUR MACHINE CAN BE USED AGAIN CORRECTLY AND WILL BE FULLY OPERATIONAL

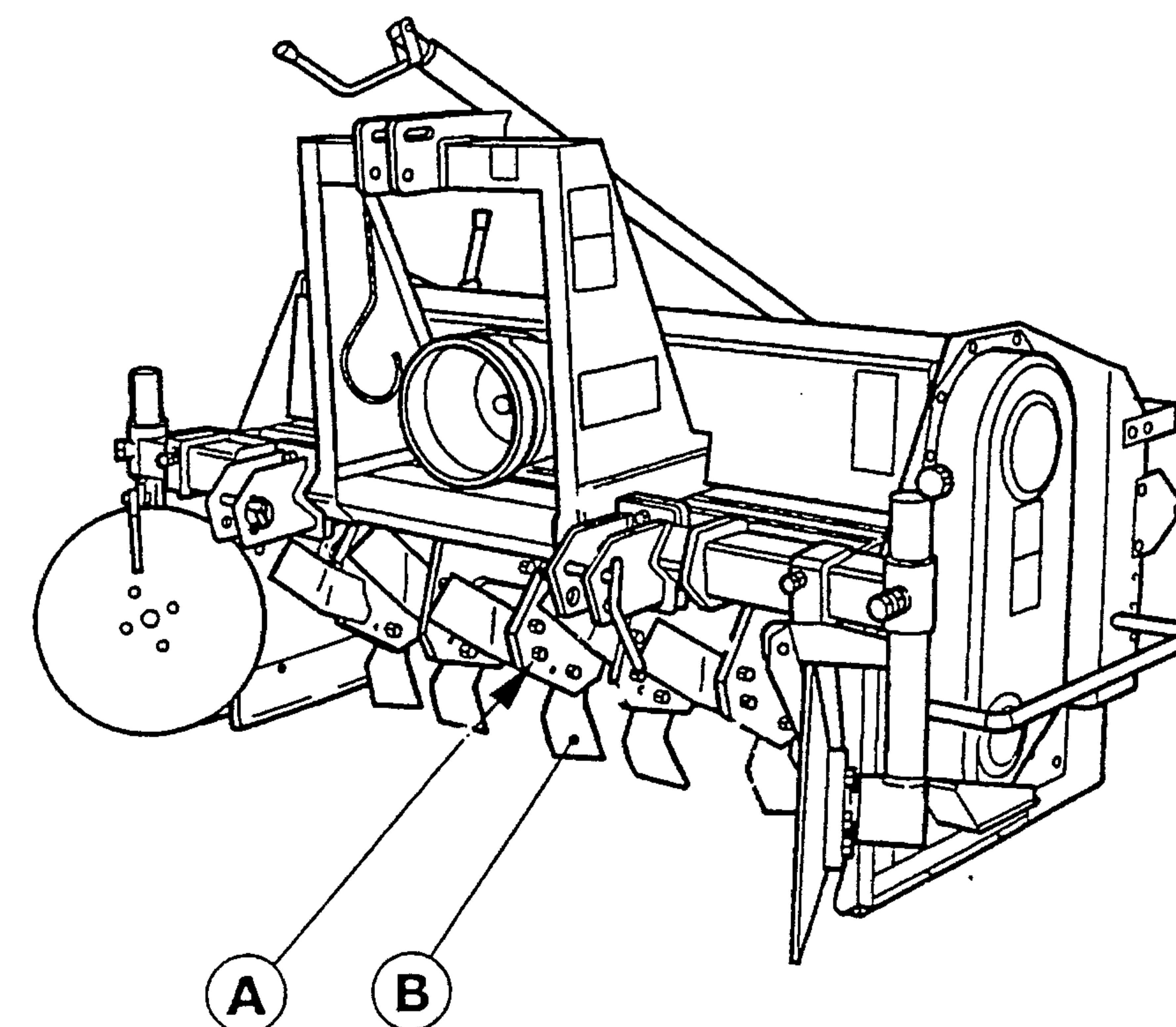


Fig. 13

TO UNHOOK THE MACHINE

WARNING

THE PREVIOUSLY DESCRIBED OPERATIONS MAY BE DANGEROUS: DO NOT ALLOW PERSONS, ANIMALS AND MATERIALS TO REMAIN IN THE IMMEDIATE VICINITY OF THE AREA WHERE THE MACHINE STANDS

In order to unhook the machine as efficiently as possible, see also the "MACHINE INSTALLATION" section.

- 1) Disconnect the P.T.O.
 - 2) Place the machine so that it rests completely on the ground and turn off the tractor.
 - 3) Remove the cardan shaft from the tractor end and place it on the bracket (13 - Fig. 12).
 - 4) Disconnect the third point tie rod.
 - 5) Disconnect the lower arms of the three-point hitch
- Place the connection pins and the snap-in safety rings into the hollow obtained for this purpose in the three-point hitch, so that they can easily be found when the machine is used again.

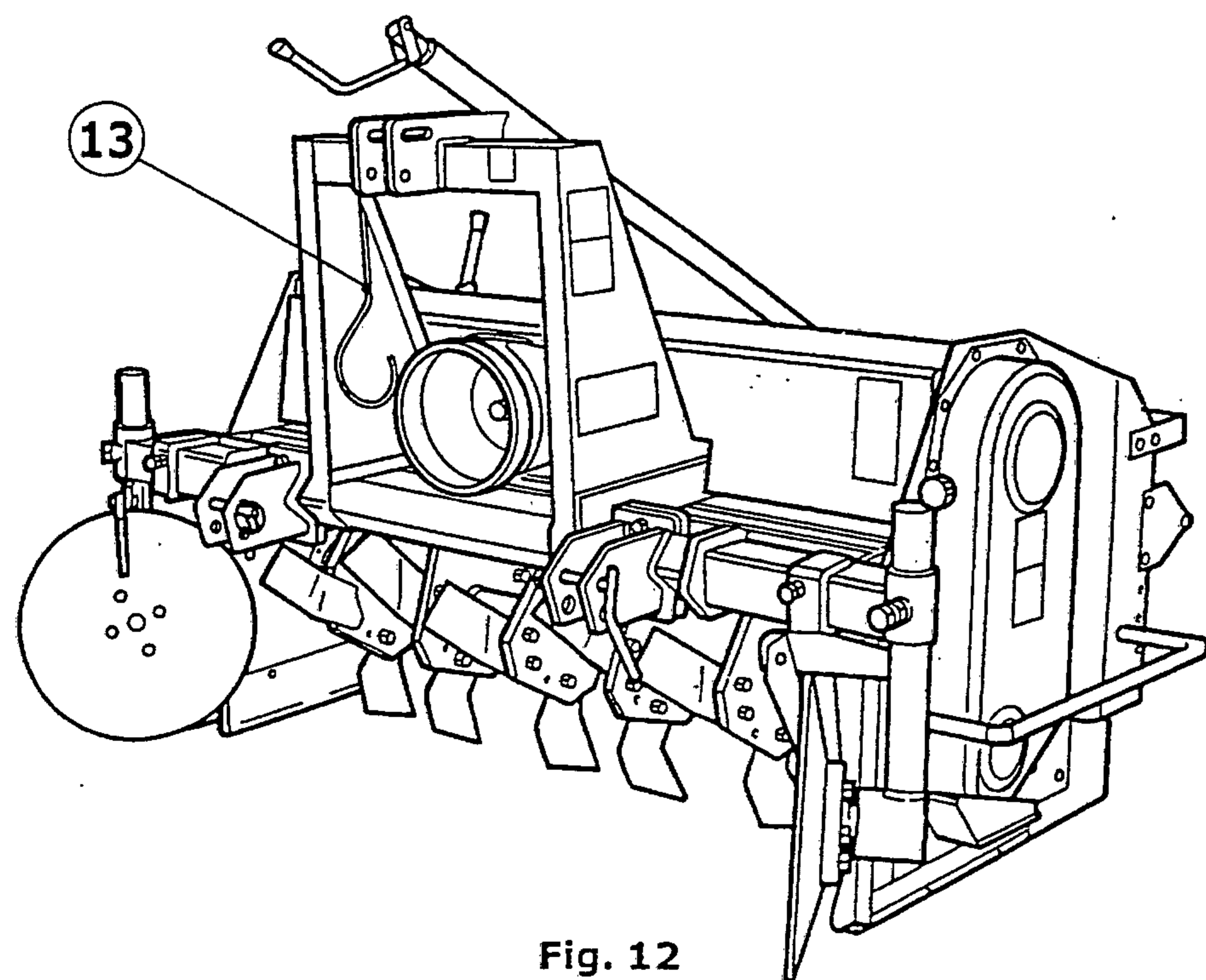


Fig. 12

ORTIFLOR

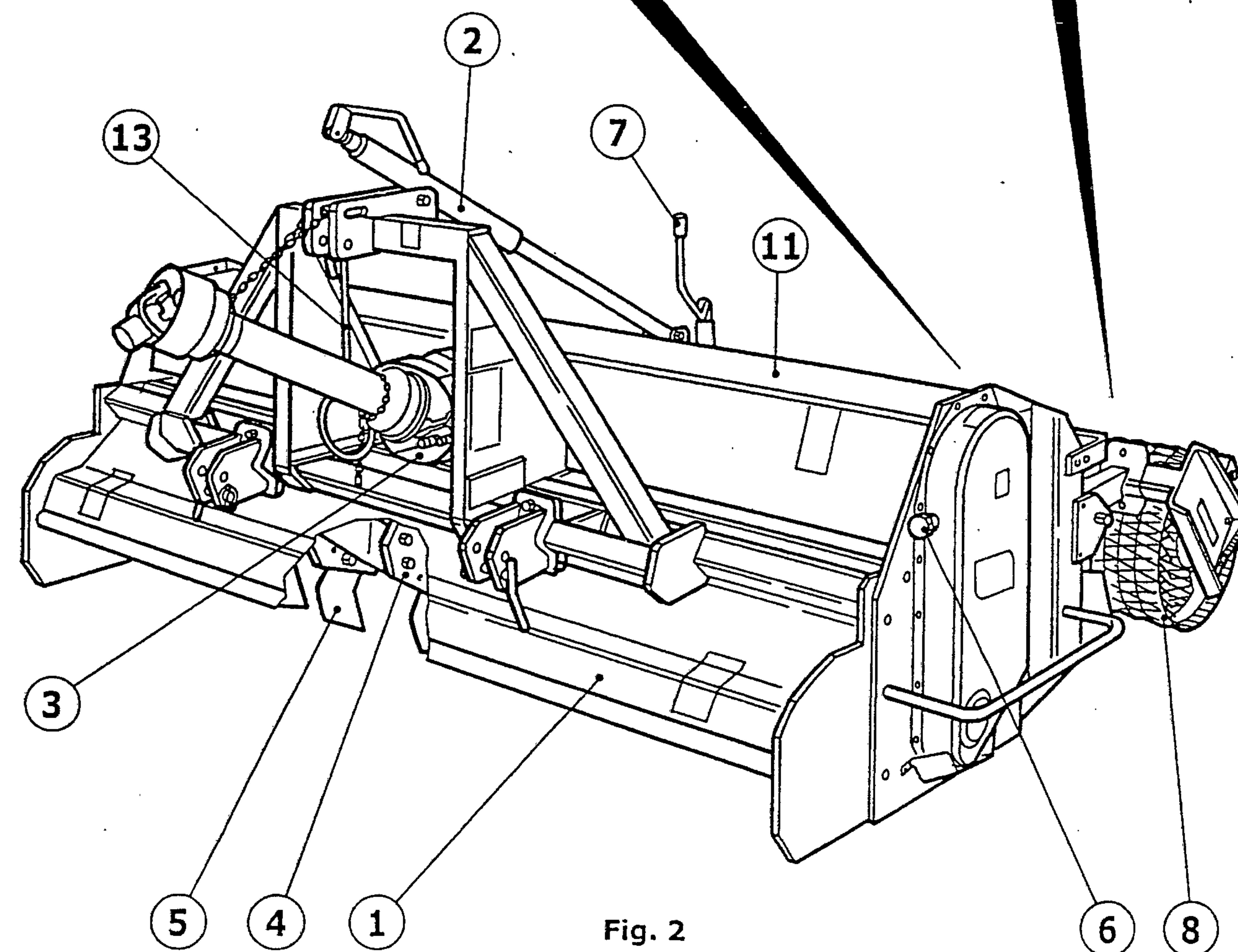
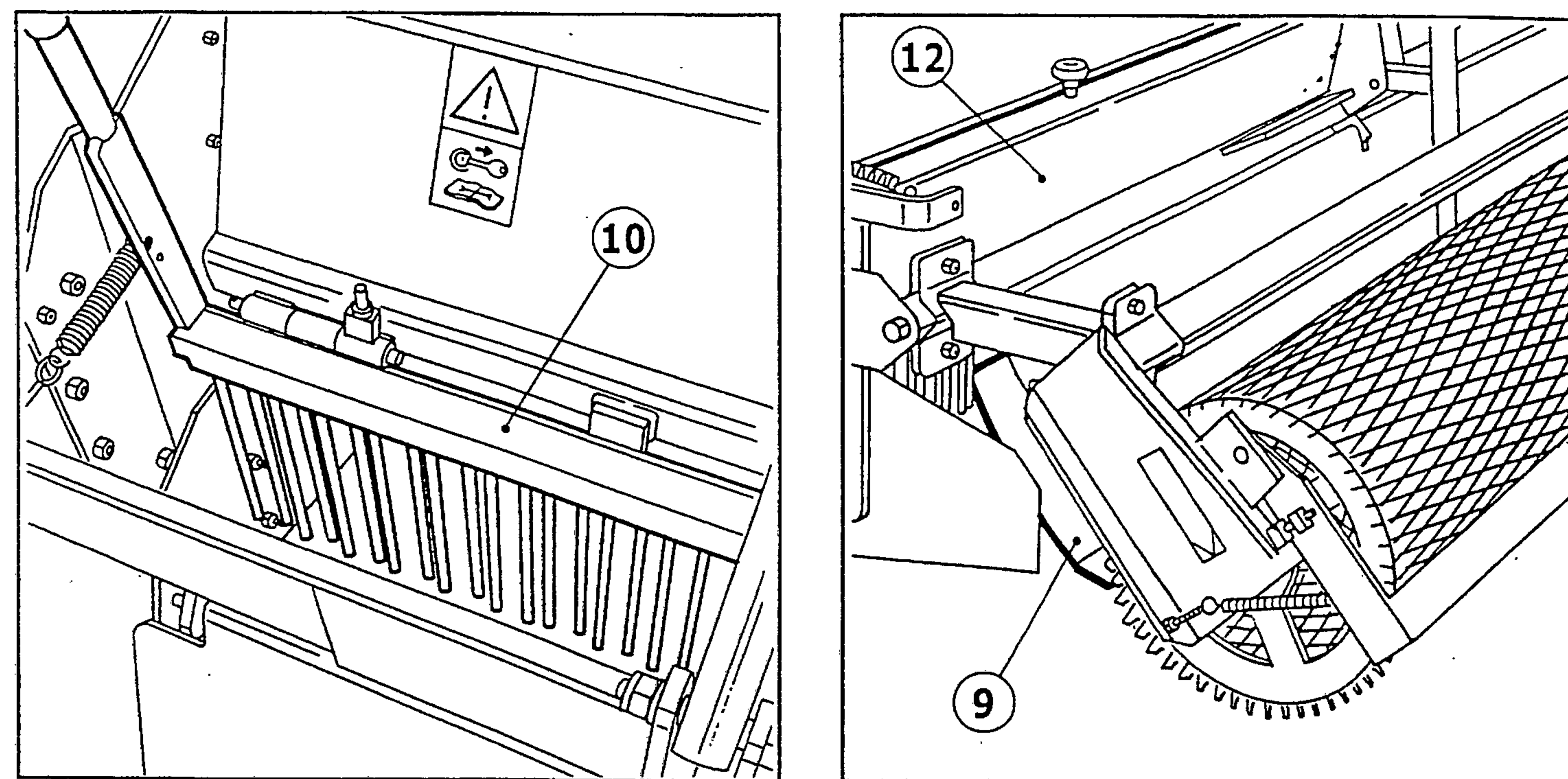


Fig. 2

TRANSPORT (Fig. 3)

For transport on public roads, hook the upper arm (A - Fig. 3) of the tractor three-point link into the hole (B).

For use in the field (if necessary), insert the upper arm of three-point link into the slot (C).

FUNCTIONAL CHARACTERISTICS (Fig. 4)

The reference number identifying the cardan shaft refers to the power that can be transmitted by that shaft itself. In this manual, the reference number is the one used for the cardan shaft made by the company: _____.

When the cardan shaft is installed, check that the housings overlap by at least 50 mm when the shaft is straight.

The length of the shaft (see dimension K - Fig. 4) shall be measured for each individual case.

IMPORTANT WARNING:

**To improve use and extend the service life of the machine,
NEVER EXCEED THE RATED POWER FOR THE MODEL BEING USED**

Adjust the tractor's speed to the type and quantity of soil to be worked: if the speed is too high, the transmission parts undergo excessive stress (leading to premature wear) and will generate poor results.

Overlapping of the housings

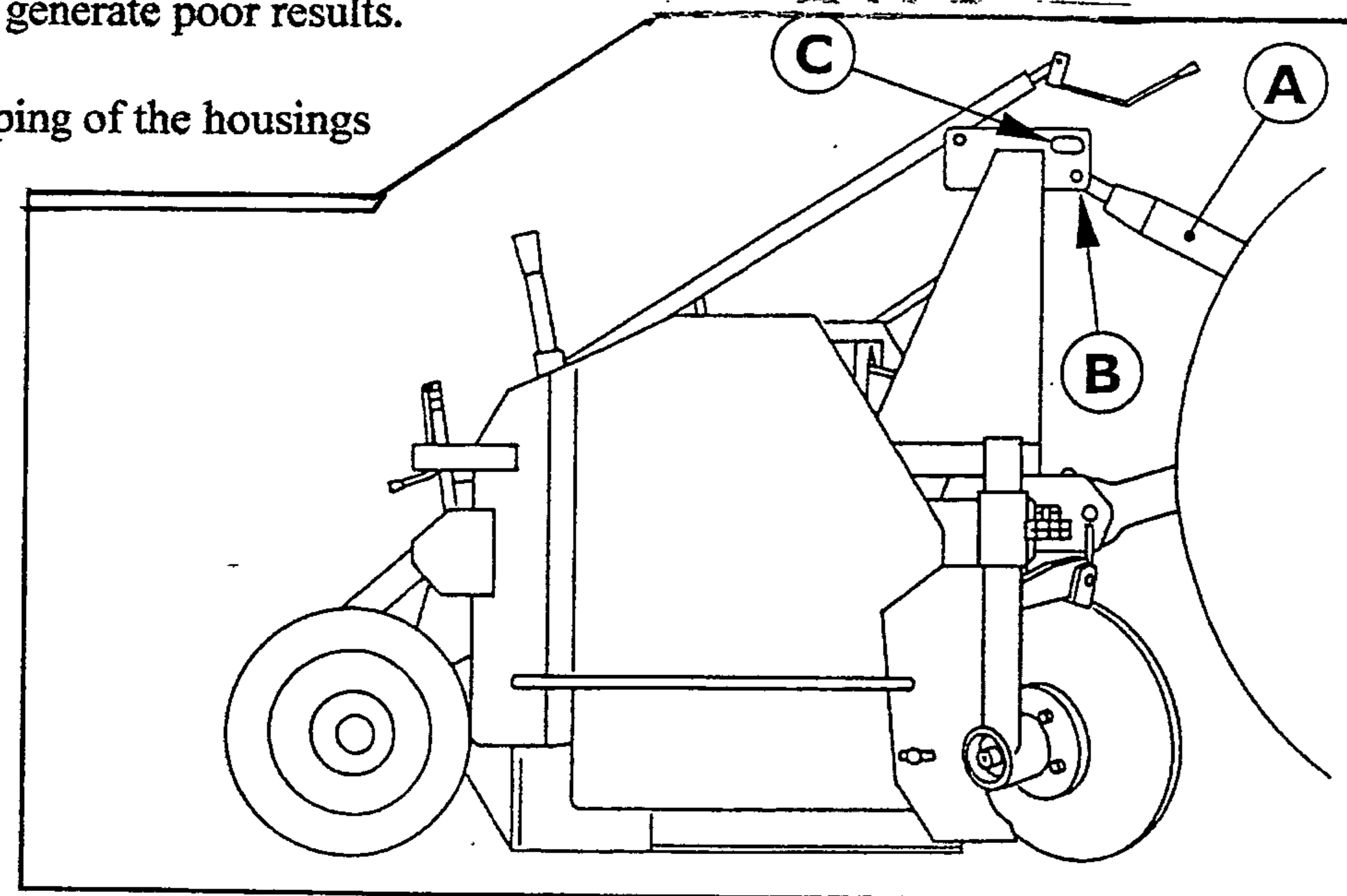


Fig. 3

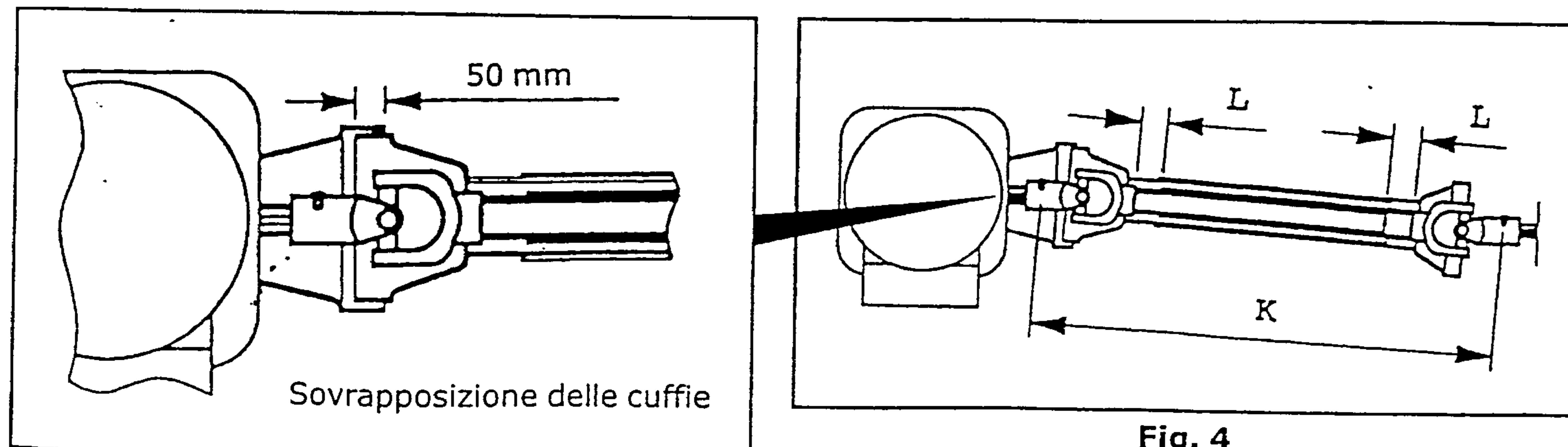


Fig. 4

ORTIFLOR

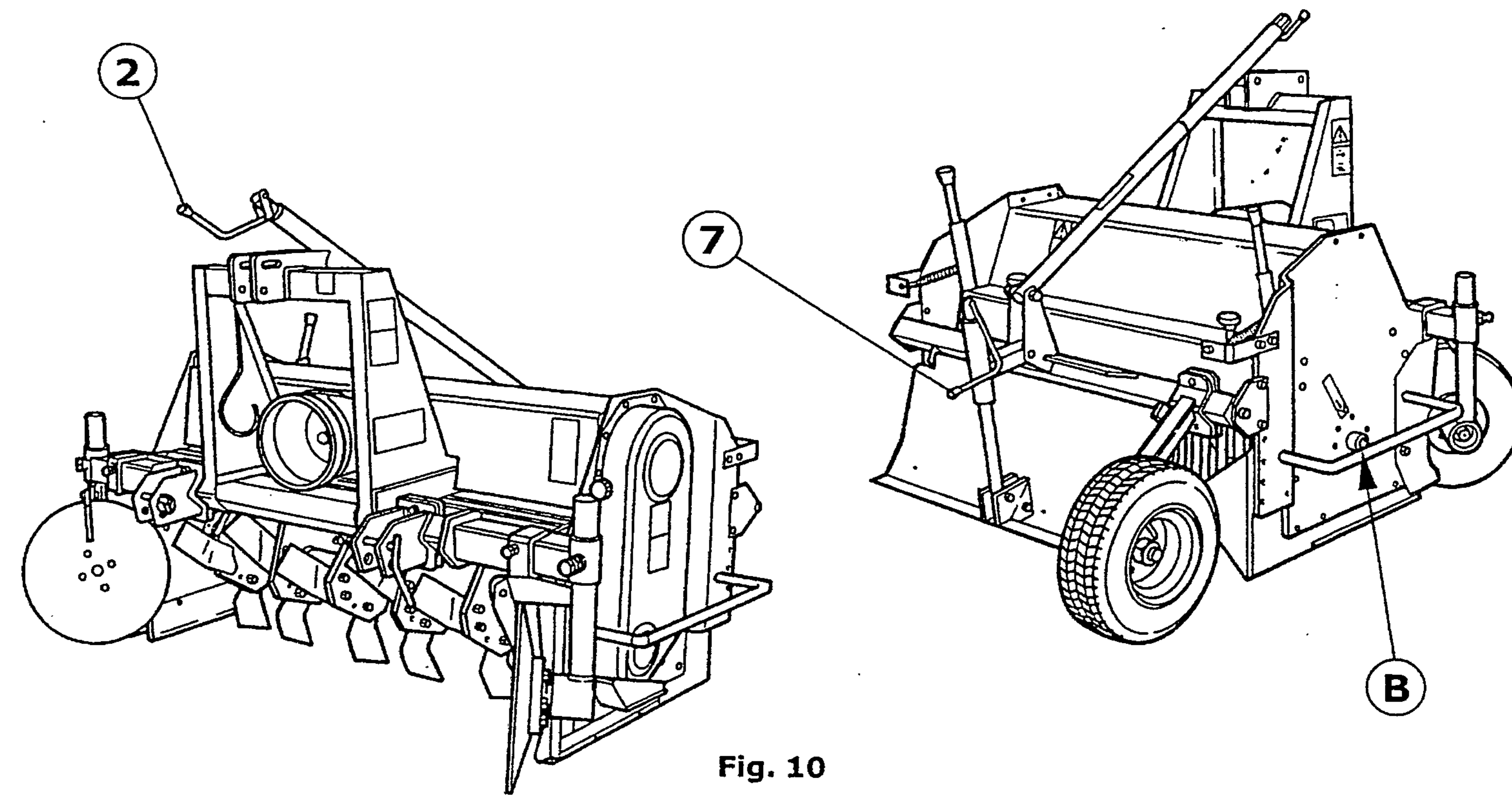


Fig. 10

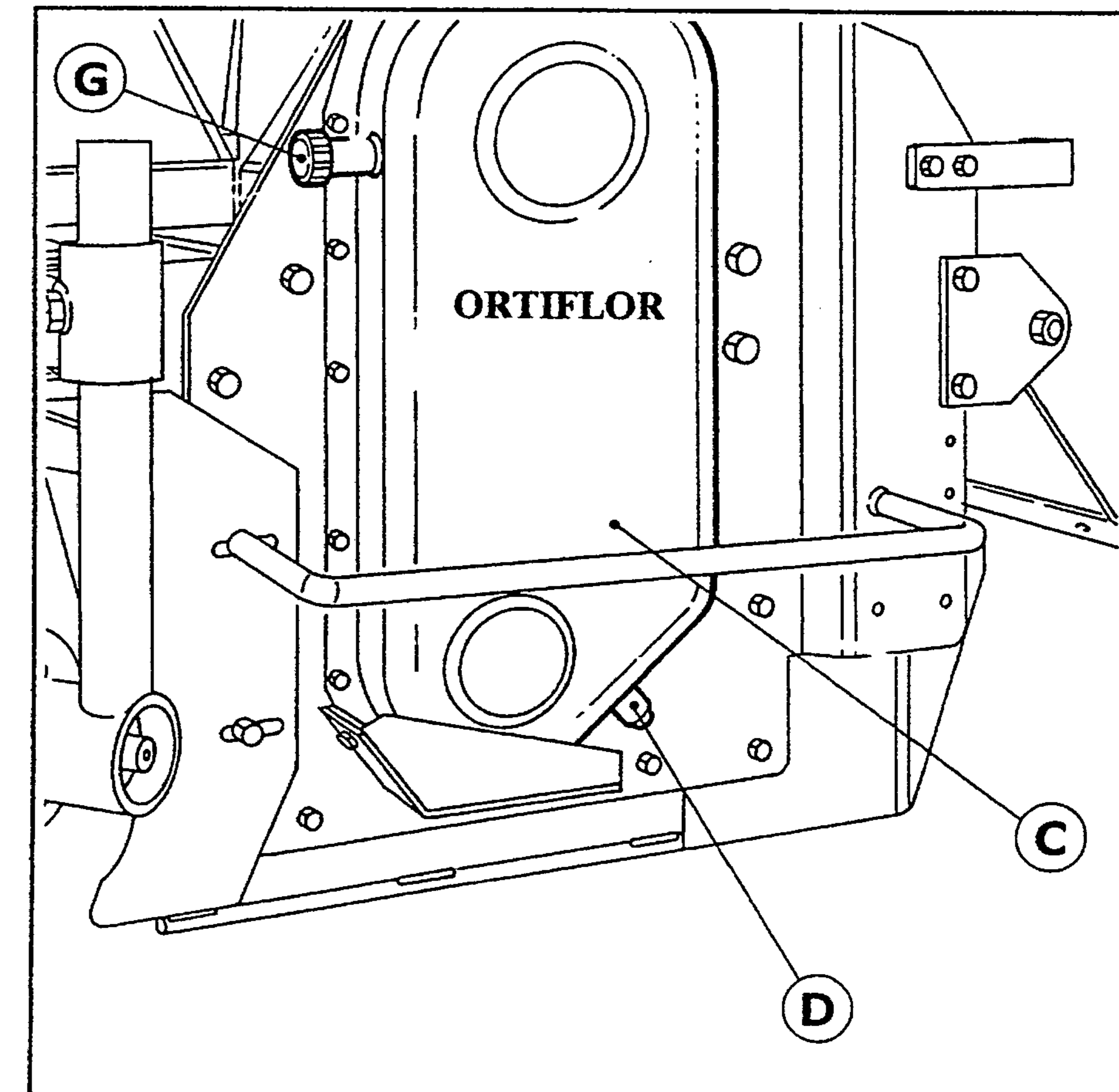


Fig. 11

MAINTENANCE

The cardan shaft must be disconnected before performing any maintenance operation.

GREASING

Every 20 hours: use the special grease nipples to lubricate the cardan shaft (A - Fig. 9) and the rotor (B - Fig. 10).

Periodically: use the special grease nipples to lubricate the two cranks (2 - Fig. 10) and (7).

OIL LEVEL

Yearly: Check the oil level in the transmission-chain housing (C - Fig. 11) through the plug (D). Top up, if necessary, through the plug (G).

Check the oil level in the gearbox through the level plug (E - Fig. 9). Top up, if necessary, through the plug (F).

OIL TYPES

Gearbox	SHELL 180 - 140 or other brand with the same characteristics
Transmission-chain housing	the same characteristics

☞ To dispose of used oils, follow the rules in force in the specific country where the machine is used.

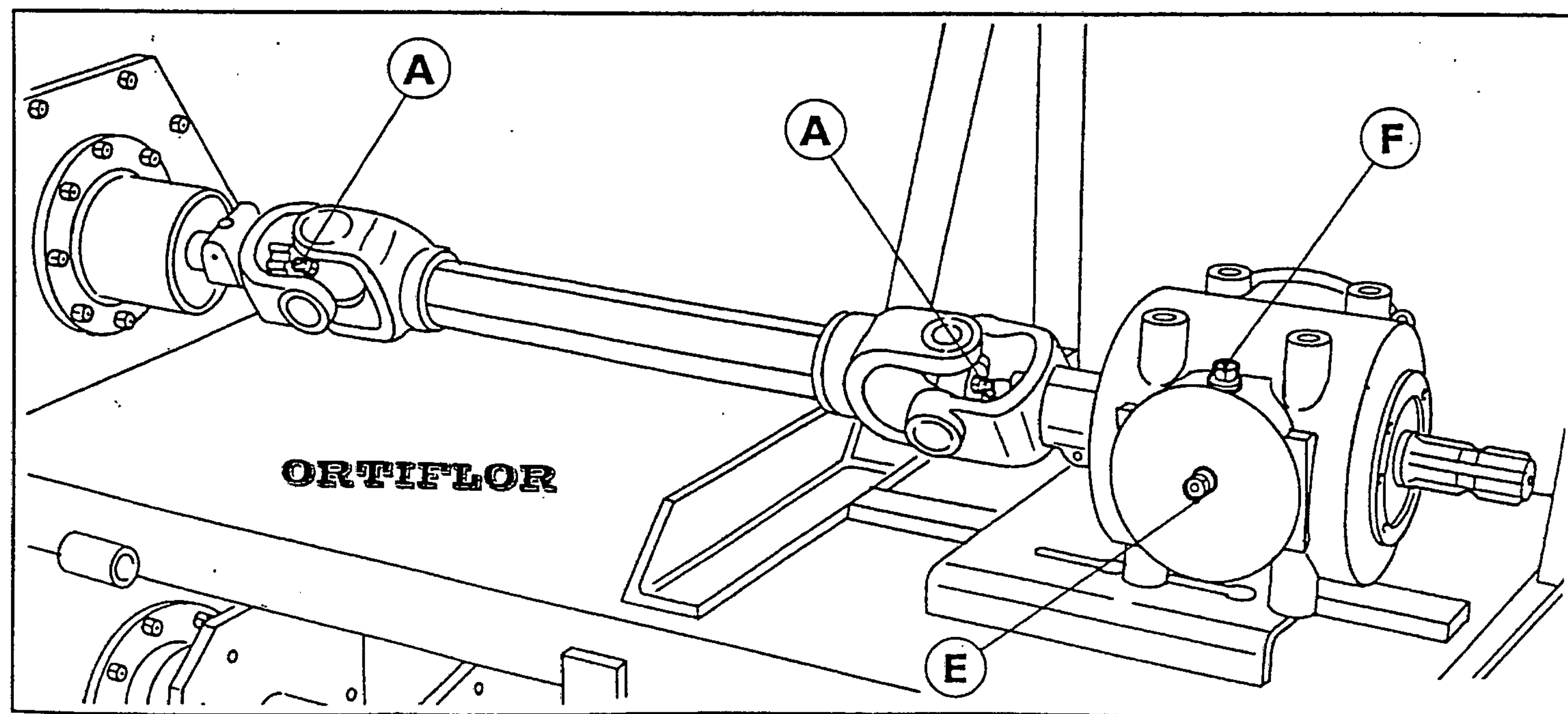


Fig. 9

MACHINE INSTALLATION (Fig. 5)

With the machine resting on its skids and level with the ground:

- 1 - Hook the lower lifting arms and secure them with the pins supplied. Adjust the tie rods of the arms to prevent the machine from swinging sideways.

WARNING: this operation does present some risks: do not stand in front of the machine while the tractor is moving toward it.

- 2 - Apply the tie rod to the upper lifting arm and secure it with the pin supplied: adjust its position so that the pin is more or less in the middle of the connection slot. Secure the tie rod of the upper arm.

Make sure that the snap-in safety rings (D - Fig. 5) that prevent the pins from slipping out are properly inserted and that the pins (E) are in good condition.

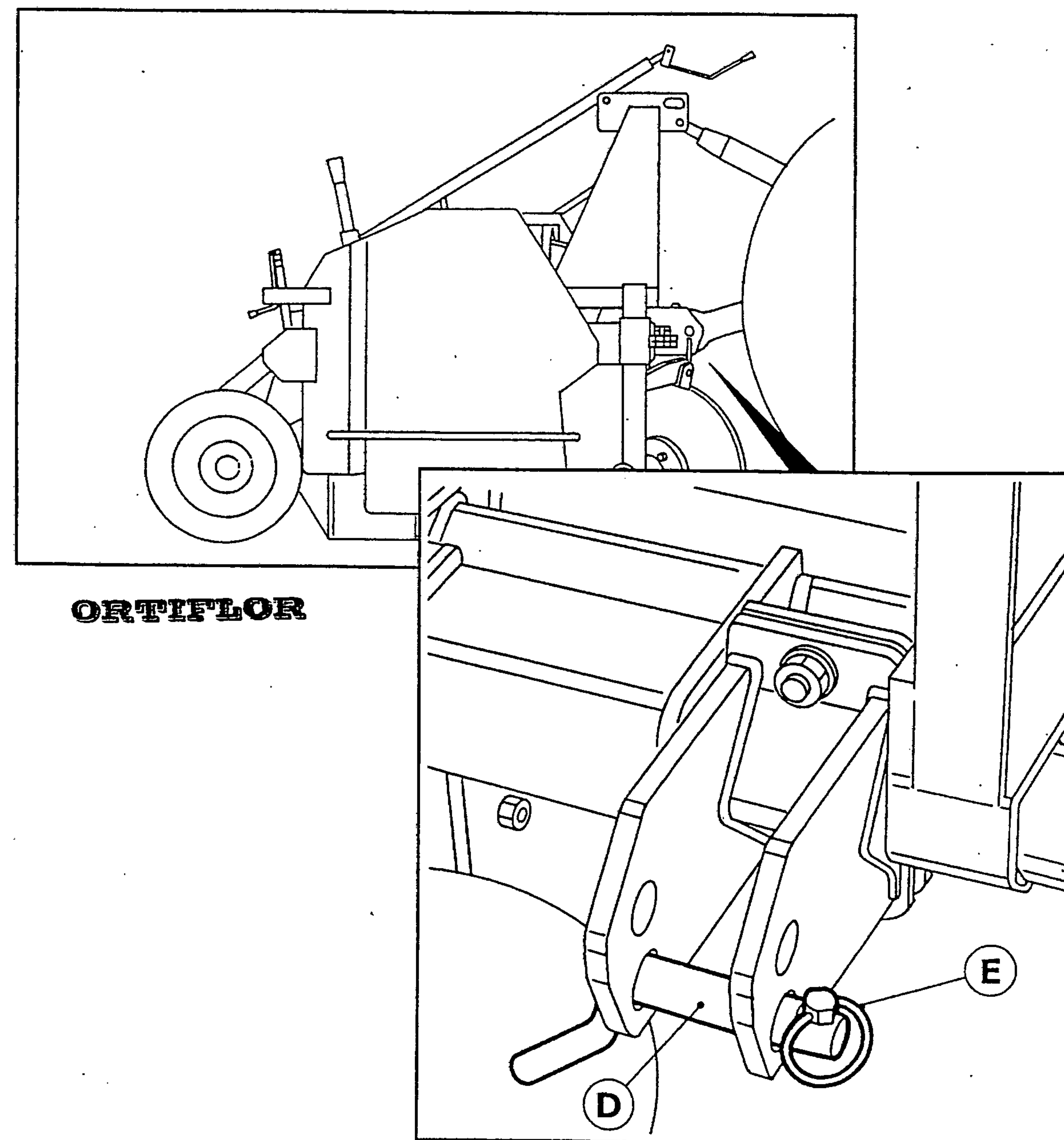


Fig. 5

Before performing this operation, carefully read the instruction booklet supplied with the cardan shaft.

Measure the distance (K - Fig. 6) between the races of the P.T.O. buttons while the machine is resting on the ground on a flat surface (see point 1 above) and with the gearbox in line with the tractor's P.T.O.: if necessary, adjust the length of the cardan shaft supplied making sure that the telescopic tubes overlap by a length that leaves a clearance of 40 to 50 mm at the ends (L - Fig. 6).

After assembling the cardan shaft, secure the special safety anti-rotation chains both at the tractor and at the machine ends.

If the machine remains inactive for a certain period of time, put the cardan shaft on the special support hook (13 - Fig. 7) attached to the three-point linkage: this will prevent dirt deposits and deformations and breakage of the guard.

Grease the cardan shaft according to the recommendations given in its instruction booklet.

The manufacturer guarantees that the cardan shaft supplied with the machine is the proper size to withstand the power absorbed during operation, under safe conditions, if the operator complies with the prescribed use conditions.

When replacing the cardan shaft, install another CE marked shaft that is capable of transmitting the power indicated in the table.

**DO NOT WORK WITH CARDAN SHAFTS WITHOUT GUARDS.
MAKE SURE THE SECURING DEVICES THAT PREVENT SLIPPAGE HAVE
BEEN CORRECTLY INSERTED INTO THE CONNECTION PINS.**

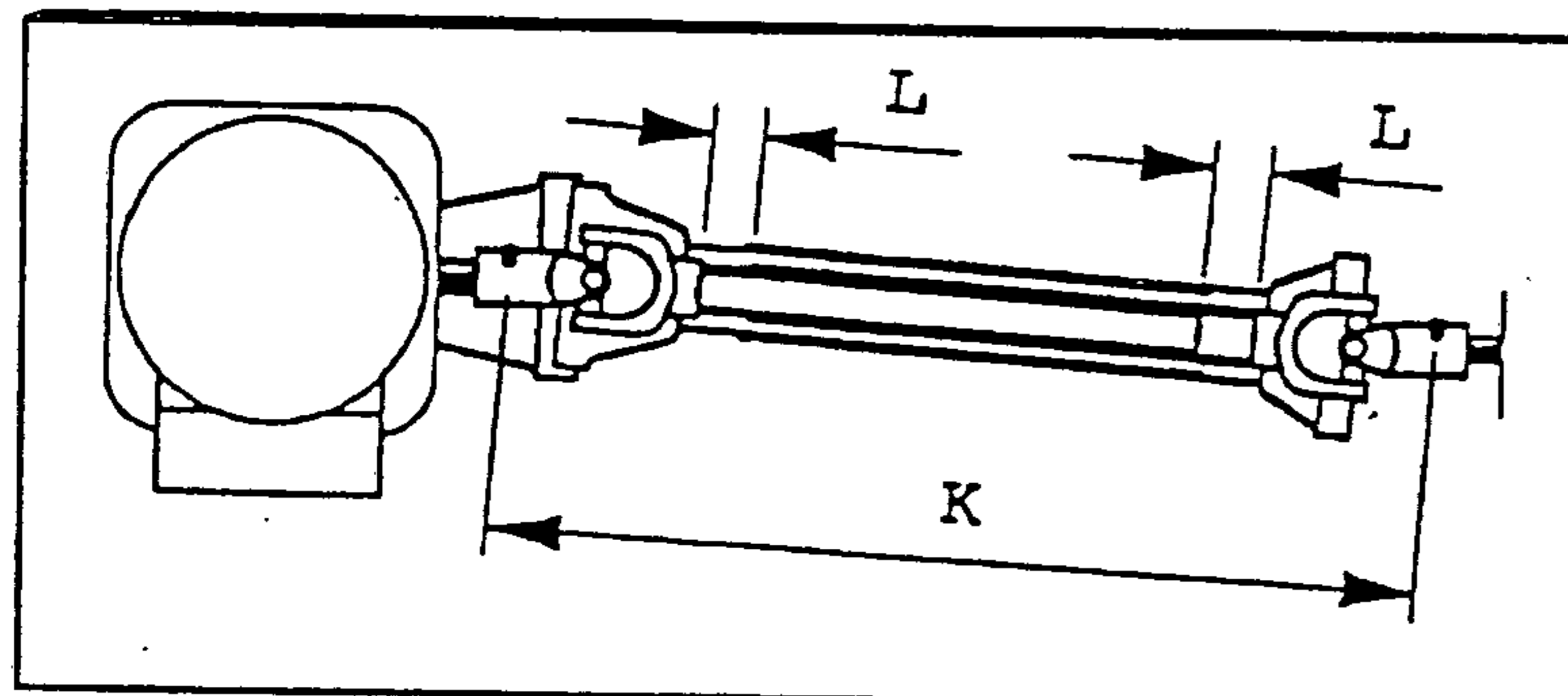


Fig. 6

ORTIFLOR

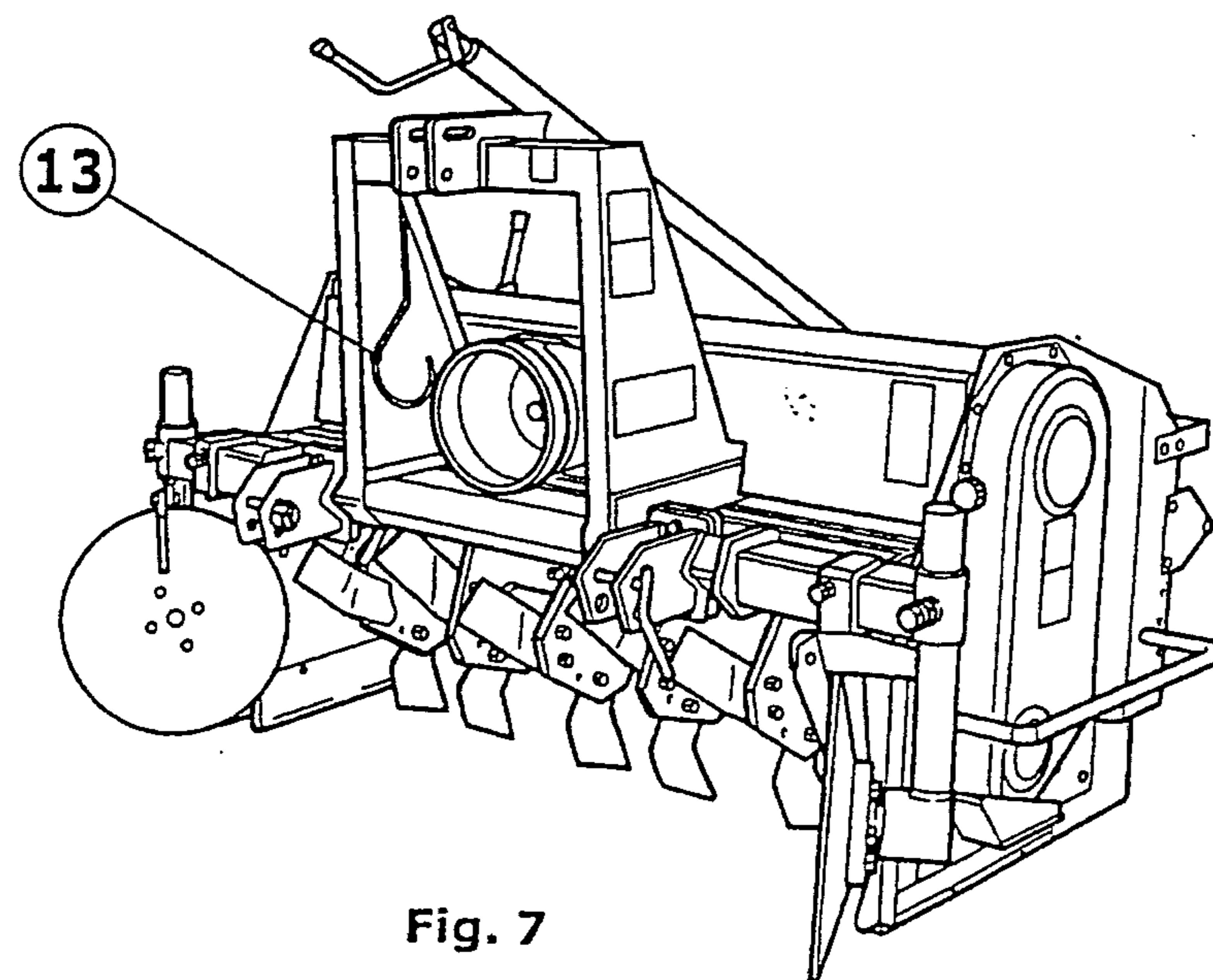


Fig. 7

Before using the machine in the field for the first time, perform an operating test to check that the machine operates correctly. To do this, let the rotor turn under no-load conditions for a few minutes. Follow the same steps illustrated in the section "OPERATING TEST AFTER MAINTENANCE".

- While working do not turn in sharp curves or in reverse.
- Before reversing the working direction, disconnect the tractor P.T.O., lift the machine from the soil (only after rotor has come to a stop) and then put the tractor in reverse gear.

Model TSA

Adjust the register crank (2 - Fig. 8) and disk support (14) to obtain the required height of the bed, and the telescopic bar (15) to adjust the width of the track.

- Adjust the length of the 3rd point so that the machine works level with the ground.
- Through the adjustment lever (7) adjust the height of the tail gate from the soil until you obtain a level work surface.

**WHILE WORKING ALWAYS MAKE SURE THAT NO ONE REMAINS IN
THE MACHINE'S RESIDUAL DANGER AREAS**

**DISCONNECT THE P.T.O. BEFORE LIFTING THE MACHINE!
WHILE THE MACHINE IS BEING LIFTED DO NOT ACTIVATE THE P.T.O.!
ALWAYS STOP THE P.T.O. BEFORE GETTING OFF THE TRACTOR**

USE IN THE FIELD

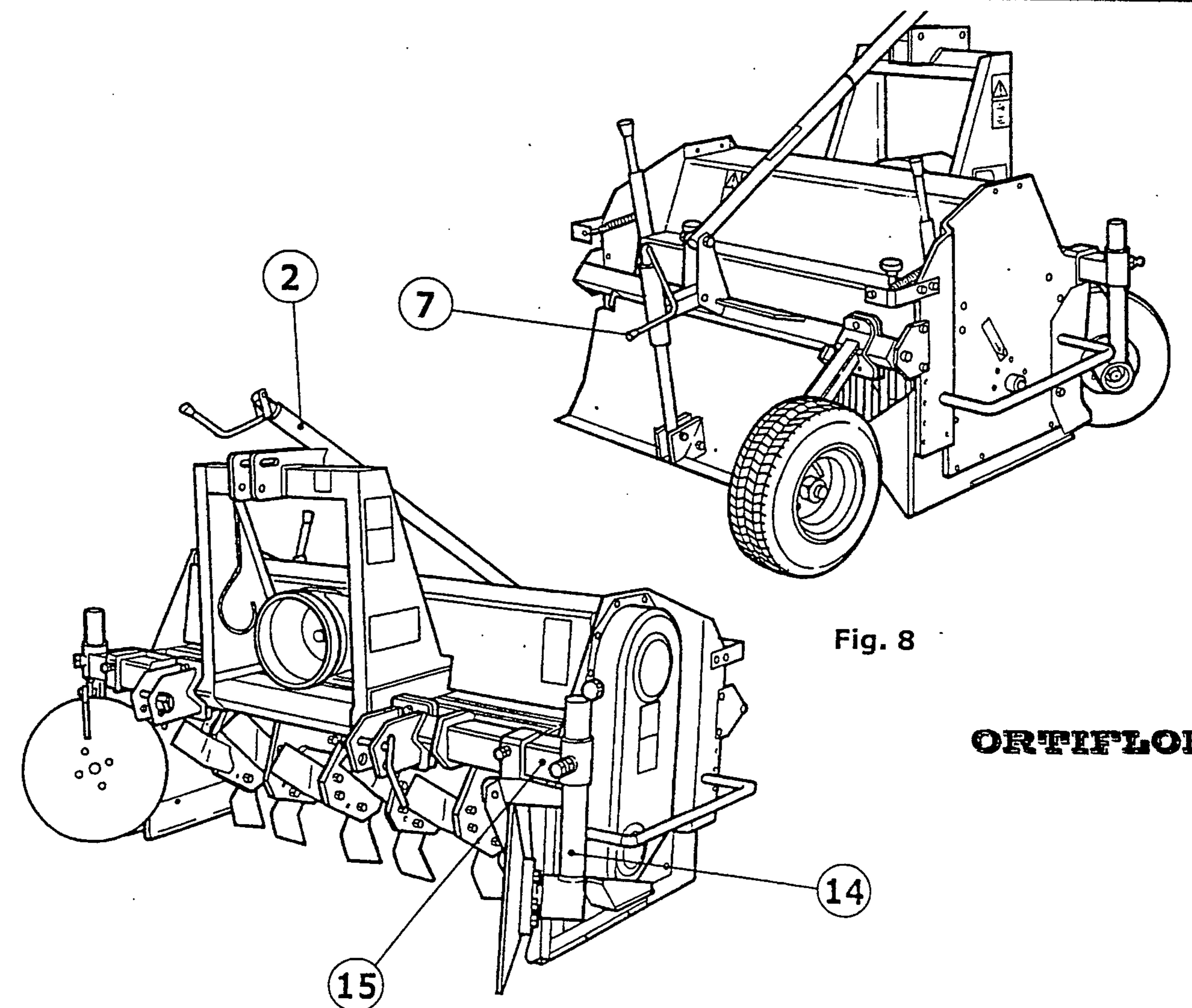


Fig. 8

ORTIFLOR

DOCUMENTO DI TRASPORTO (D.d.t.)

D.P.R. 472 del 14.08.1996 - D.P.R. 696 del 21.12.1996

N. 0063 Data 02/04/2020

a mezzo: cedente cessionario vettore

CESSIONARIO: Ditta, Dipendenza, Domicilio o Residenza

LUOGO DI DESTINAZIONE (se diverso dall'indirizzo del cessionario) E VARIAZIONI

CAUSALE DEL TRASPORTO

C/VENDITA

VS. ORDINE N.

DATA

in conto

a saldo

QUANTITÀ	DESCRIZIONE DEI BENI (natura e qualità)	IMPORTO (1)
<u>01</u>	<u>(BENOVNO) INTERMARISSI MODELLO TSP 210 COMPLETA DI OMILLO</u> <u>MANUALE, GUNTO GARIBANICO KAUCHERCHIA CON</u> <u>LIMITAZIONE AUTOMATICO.</u> <u>MATRICOIA 2021-2020.</u> <u>CONTRATTO DI LOCAZIONE N. 13046071-001-STA</u>	
<u>(ZERONE)</u>		

ASPETTO ESTERIORE DEI BENI

VISIBILE

N. COLLI

02

PESO KG.

1200

PORTO

FRANCO

TOTALE €

VEETTORE: ditta, domicilio o residenza

DATA E ORA DEL RITIRO

FIRME

DATA

ORA

FIRMA

Consegna o inizio trasporto a mezzo cedente cessionario

ANNOTAZIONI - VARIAZIONI

NUMERO PROGRESSIVO (2)

FIRMA

ATTENZIONE :

I fogli di questo bollettario sono in carta chimica autoricalcante.
Per non produrre involontarie trascrizioni, si prega di compilare le dichiarazioni sottostanti «a foglio singolo» e non a ricalco.

DICHIARAZIONI

ai sensi dell'art. 39 della Legge 298/1974, dell'art. 1 del D.M. 13.4.79 e della Legge 132/1987

**A) TRASPORTO DI COSE IN CONTO PROPRIO
PER UN PESO COMPLESSIVO A PIENO CARICO SUPERIORE A KG. 3.500**

Il sottoscritto, titolare di licenza all'autotrasporto di cose in conto proprio n. _____,
dichiara che le seguenti cose sono (*):

- | | |
|--|--|
| <input type="checkbox"/> di sua proprietà; | <input type="checkbox"/> da esso elaborate, trasformate, riparate o simili; |
| <input type="checkbox"/> da esso prodotte o vendute; | <input type="checkbox"/> tenute in deposito in relazione al contratto di deposito o
ad un contratto di mandato ad acquistare o a vendere; |
| <input type="checkbox"/> prese in comodato; | |
| <input type="checkbox"/> prese in locazione; | |

Firma leggibile del titolare
(o del suo legale rappresentante)

**B) TRASPORTO OCCASIONALE DI COSE IN CONTO PROPRIO
PER UN PESO COMPLESSIVO A PIENO CARICO SUPERIORE A KG. 3.500**

Il sottoscritto, titolare di licenza all'autotrasporto di cose in conto proprio n. _____,

dichiara che le seguenti cose sono (*):

- di sua proprietà; prese in comodato; prese in locazione;

e costituiscono trasporto occasionale per le seguenti esigenze _____

Firma leggibile del titolare
(o del suo legale rappresentante)

(*) Dichiarare l'ipotesi o le ipotesi che ricorrono.

N.B - dichiarazione B) va fatta anche nel caso che il trasporto, oltre che essere occasionale, comprende cose che rientrano fra quelle previste nella licenza e va quindi aggiunta a quella di cui alla lettera A).