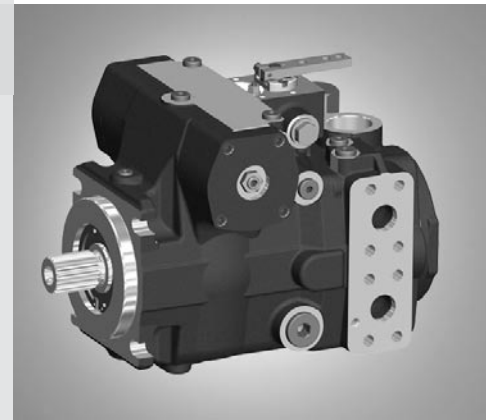


Axial Piston Variable Pump A4VTG

RE 92013/06.09
Replaces: 04.08**1/24**

Data sheet

Series 33
 Sizes NG71, 90
 Nominal pressure 400 bar
 Maximum pressure 450 bar
 Closed circuit
 For the drum drive in mobile concrete mixers



Inhalt

Ordering code for standard program	2
Technical data	4
HW – Proportional control hydraulic, mechanical servo	9
EP – Proportional control electric	10
Dimensions size 71	12
Dimensions size 90	14
Through drive dimensions	16
Overview of attachments	17
High-pressure relief valves	17
Mechanical stroke limiter	18
Ports X ₃ and X ₄ for stroking chamber pressure	18
Filtration boost circuit	19
Connector for solenoids	20
Installation situation for coupling assembly	21
Installation instructions	22
General instructions	24

Features

- Variable axial piston pump of swashplate design for hydrostatic drives in closed circuit
- The flow is proportional to the drive speed and displacement.
- The flow increases as the angle of the swashplate is adjusted from zero to its maximum value.
- Flow direction changes smoothly when the swashplate is moved through the neutral position.
- Two pressure-relief valves are provided on the high pressure ports to protect the hydrostatic transmission (pump and motor) from overload.
- The high-pressure relief valves also function as boost valves.
- The integrated boost pump acts as a feed pump and control pressure supply.
- The maximum boost pressure is limited by a built-in boost pressure-relief valve.

Ordering code for standard program

A4VT	G					/	33	M		N	C4			F		A	S	
01	02	03	04	05	06		07	08	09	10	11	12	13	14	15	16	17	18

Axial piston unit

01	Swashplate design, variable, nominal pressure 400 bar, maximum pressure 450 bar, mobile concrete mixers															A4VT
----	---	--	--	--	--	--	--	--	--	--	--	--	--	--	--	-------------

Operation mode

02	Pump, closed circuit															G
----	----------------------	--	--	--	--	--	--	--	--	--	--	--	--	--	--	----------

Size

03	Displacement $V_{g,max}$ in cm^3												071	090
----	------------------------------------	--	--	--	--	--	--	--	--	--	--	--	------------	------------

Control device

		071	090	
04	Proportional control hydraulic, mechanical servo, hexagon shaft with lever to the rear	●	●	HW1 ¹⁾
	Proportional control electric, with emergency actuation and spring return	●	●	EP3
		●	●	EP4

Connector for solenoids²⁾

		071	090	
05	Without	●	●	0
	DEUTSCH - molded connector, 2-pin – without suppressor diode	●	●	P

Auxiliary functions

		071	090	
06	Without	●	●	0
	With mechanical stroke limiter, externally adjustable	●	●	M
	With ports X_3 , X_4 for stroking chamber pressure	●	●	T
	With mechanical stroke limiter and ports X_3 , X_4	●	●	B

Series

07	Series 3, Index 3															33
----	-------------------	--	--	--	--	--	--	--	--	--	--	--	--	--	--	-----------

Version of port and fixing threads

08	Metric															M
----	--------	--	--	--	--	--	--	--	--	--	--	--	--	--	--	----------

Direction of rotation

09	Viewed from drive shaft	clockwise		R
		counter-clockwise		L

Seals

10	NBR (nitrile-caoutchouc), shaft seal ring in FKM (fluor-caoutchouc)															N
----	---	--	--	--	--	--	--	--	--	--	--	--	--	--	--	----------

Mounting flange

11	SAE J744, 127-4															C4
----	-----------------	--	--	--	--	--	--	--	--	--	--	--	--	--	--	-----------

Drive shaft

		071	090			
12	Splined shaft ANSI B92.1a-1976	1 3/8 in 21T 16/32DP	without coupling flange	●	-	V8
			with coupling flange	●	-	C8
	1 1/2 in 23T 16/32DP	without coupling flange	-	●	V9	
		with coupling flange	-	●	C9	

Service line ports

		071	090			
13	SAE flange port	left	Suction port S at bottom	○	○	1
	A and B on same side	right	Suction port S at top	●	●	2

● = Available ○ = On request - = Not available

1) Mounting position of the lever not specified on delivery, to be aligned by the customer

2) Connectors for other electric components can deviate.

Ordering code for standard program

A4VT	G					/	33	M		N	C4			F		A	S	
01	02	03	04	05	06		07	08	09	10	11	12	13	14	15	16	17	18

Boost pump

14	With integrated boost pump	F
----	----------------------------	----------

Through drive

15	Flange SAE J744			Coupling for splined shaft ¹⁾			071	090	
	Diameter	Mounting variant		Diameter	Designation				
		Symbol	Designation						
	Without						●	●	0000
	82-2	∞	A2	5/8 in 9T	16/32DP	S2	●	●	A2S2
	101-2	∞	B2	7/8 in 13T	16/32DP	S4	●	●	B2S4

High-pressure valves

16	With high-pressure relief valve, direct controlled	A
----	--	----------

Filtration boost circuit

17	Filtration in the boost pump suction line	S
----	---	----------

Standard / special version

18	Standard version		-0
		combined with attachment part or attachment pump	-K
	Special version		-S
		combined with attachment part or attachment pump	-T

Note

Short designation X refers to a special version not covered by the ordering code.

● = Available ○ = On request – = Not available

³⁾ Coupling for splined shaft acc. ANSI B92.1a-1976

Technical data

Hydraulic fluid

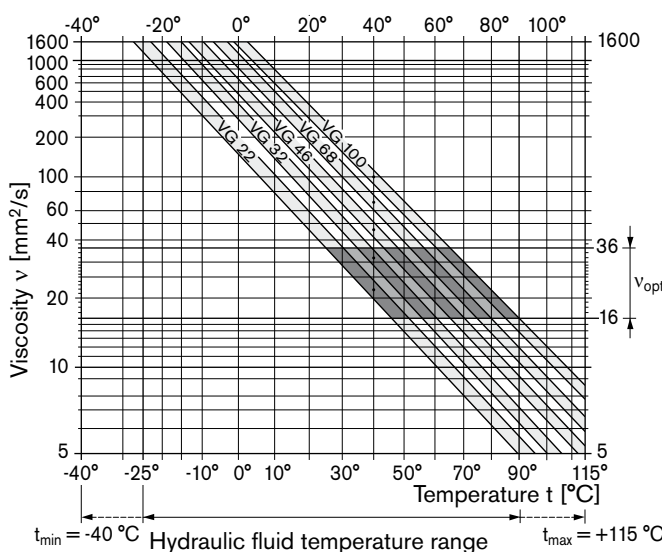
Before starting project planning, please refer to our data sheets RE 90220 (mineral oil) and RE 90221 (environmentally acceptable hydraulic fluids) for detailed information regarding the choice of hydraulic fluids and application conditions.

The A4VTG variable pump is not suitable for operation with HFA, HFB and HFC. If HFD or environmentally acceptable hydraulic fluids are being used, the limitations regarding technical data and seals must be observed.

Please contact us.

When ordering, indicate the hydraulic fluid that is to be used.

Selection diagram



Details regarding the choice of hydraulic fluid

The correct choice of hydraulic fluid requires knowledge of the operating temperature in relation to the ambient temperature: in a closed circuit the circuit temperature.

The hydraulic fluid should be chosen so that the operating viscosity in the operating temperature range is within the optimum range (ν_{opt}), see shaded area of the selection diagram. We recommended that the higher viscosity class be selected in each case.

Example: At an ambient temperature of X °C, an operating temperature of 60 °C is set in the circuit. In the optimum operating viscosity range (ν_{opt} , shaded area), this corresponds to the viscosity classes VG 46 or VG 68; to be selected: VG 68.

Note

The case drain temperature, which is affected by pressure and speed, is always higher than the circuit temperature. At no point of the component may the temperature be higher than 115 °C, however. The temperature difference specified below is to be taken into account when determining the viscosity in the bearing.

If the above conditions cannot be maintained due to extreme operating parameters, please contact us.

Viscosity and temperature

	Viscosity [mm ² /s]	Temperature	Comment
Storage		$T_{min} \geq -50$ °C $T_{opt} = +5$ °C to +20 °C	up to 12 months with standard factory conservation up to 24 months with long-term factory conservation
(Cold) start-up ¹⁾	$\nu_{max} = 1600$	$T_{St} \geq -40$ °C	$t \leq 3$ min, without load ($p \leq 50$ bar), $n \leq 1000$ rpm
Permissible temperature difference		$\Delta T \leq 25$ K	between axial piston unit and hydraulic fluid
Warm-up phase	$\nu < 1600$ to 400	$T = -40$ °C to -25 °C	at p_{nom} , $0.5 \cdot n_{nom}$ and $t \leq 15$ min
Operating phase			
Temperature difference		$\Delta T = \text{approx. } 5$ K	The temperature of the hydraulic fluid in the bearing is (depending on pressure and speed) approx. 5 K higher than that of the case drain fluid at port T.
Continuous operation	$\nu = 400$ to 10 $\nu_{opt} = 16$ to 36	$T = -25$ °C to +90 °C	no restriction within the permissible data
Short-term operation	$\nu_{min} = < 10$ to 5	$T_{max} = +115$ °C	$t < 3$ min, $p < 0.3 \cdot p_{nom}$
Shaft seal ring FKM ¹⁾		$T \leq +115$ °C	see page 5

1) At temperatures below -25 °C, an NBR shaft seal ring is required (permissible temperature range: -40 °C to +90 °C)

Technical data

Operating pressure range

Pressure at service line port A or B

Nominal pressure p_{nom} _____ 400 bar absolute

Maximum pressure p_{max} _____ 450 bar absolute

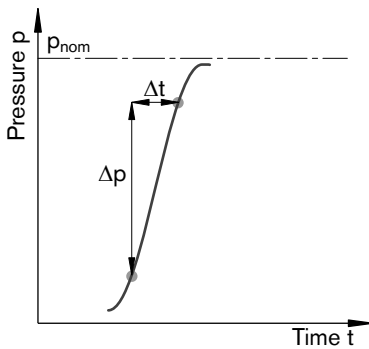
Single operating period _____ 10 s

Total operating period _____ 300 h

Minimum pressure (high-pressure side) _____ 25 bar

Minimum pressure (inlet) _____ 10 bar
(boost pressure setting must be higher depending on system)

Rate of pressure change $R_{A\ max}$ _____ 9000 bar/s



Boost pump

Pressure at suction port S

Duration $p_{S\ min}$ ($v \leq 30\ mm^2/s$) _____ ≥ 0.8 bar absolute

at cold starts, short-term ($t < 3\ min$) _____ ≥ 0.5 bar absolute

Maximum $p_{S\ max}$ _____ ≤ 5 bar absolute

Standard adjustment p_{Sp} (at $n = 1500\ rpm$) _____ 22 bar

Nominal pressure $p_{Sp\ nom}$ _____ 30 bar

Maximum pressure $p_{Sp\ max}$ _____ 40 bar

Control pressure

To ensure the function of the control, the following control pressure is required depending on the speed and operating pressure (measurement point, port P_S):

For controls EP and HW

Minimum control pressure $p_{St\ min}$ (at $n = 1500\ rpm$) _____ 22 bar

Definition

Nominal pressure p_{nom}

The nominal pressure corresponds to the maximum design pressure.

Maximum pressure p_{max}

The maximum pressure corresponds to the maximum operating pressure within the single operating period. The sum of the single operating period must not exceed the total operating period.

Minimum pressure (high-pressure side)

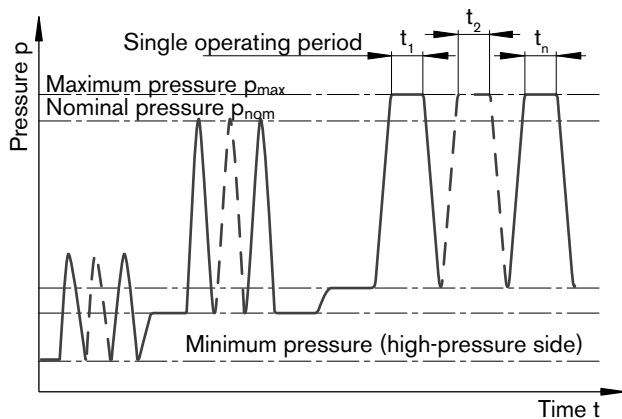
Minimum pressure on the high-pressure side (A or B) that is required in order to prevent damage to the axial piston unit.

Minimum pressure (inlet)

Minimum pressure in inlet (A or B) that is required in order to prevent damage to the axial piston unit.

Rate of pressure change R_A

Maximum permissible rate of pressure build-up and pressure reduction during a pressure change over the entire pressure range.



Total operating period = $t_1 + t_2 + \dots + t_n$

Technical data

Table of values (theoretical values, without efficiency levels and tolerances; values rounded)

Size	NG		71	90		
Displacement	variable pump	$V_{g \max}$	cm ³	71	90	
	boost pump (at p = 20 bar)	$V_{g \text{ Sp}}$	cm ³	20.5	27	
Speed	at $V_{g \max}$	n_{nom}	rpm	3300	3050	
	minimum	n_{min}	rpm	500	500	
Flow	at n_{nom} H and $V_{g \max}$	$q_{v \max}$	l/min	234	275	
Power ¹⁾	at n_{nom} H, $V_{g \max}$	$\Delta p = 400$ bar	P_{\max}	kW	156	183
Torque ¹⁾	at $V_{g \max}$ and	$\Delta p = 400$ bar	T_{\max}	Nm	452	573
		$\Delta p = 100$ bar	T	Nm	113	143
Rotary stiffness	drive shaft V8	c	Nm/rad	120900	–	
	drive shaft V9	c	Nm/rad	–	150896	
Moment of inertia for rotary group		J_{GR}	kgm ²	0.0097	0.0149	
Maximum angular acceleration ²⁾		α	rad/s ²	21000	18000	
Filling capacity		V	L	1.3	1.2	
Mass approx. (without through drive)		m	kg	51	53	

1) Without boost pump

2) The area of validity lies between the minimum required and maximum permissible speed.

It applies for external stimuli (e. g. engine 2 to 8 times rotary frequency, cardan shaft twice the rotary frequency).

The limit value applies for a single pump only.

The load capacity of the connection parts must be considered.

Note

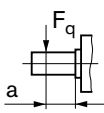
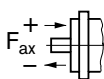
Operation above the maximum values or below the minimum values may result in a loss of function, a reduced service life or in the destruction of the axial piston unit. We recommend testing the loads by means of experiment or calculation / simulation and comparison with the permissible values.

Determining the size

Flow	$q_v = \frac{V_g \cdot n \cdot \eta_v}{1000}$	[L/min]	$V_g =$ Displacement per revolution in cm ³
			$\Delta p =$ Differential pressure in bar
Torque	$T = \frac{V_g \cdot \Delta p}{20 \cdot \pi \cdot \eta_{mh}}$	[Nm]	$n =$ Speed in rpm
			$\eta_v =$ Volumetric efficiency
Power	$P = \frac{2 \pi \cdot T \cdot n}{60000} = \frac{q_v \cdot \Delta p}{600 \cdot \eta_t}$	[kW]	$\eta_{mh} =$ Mechanical-hydraulic efficiency
			$\eta_t =$ Total efficiency ($\eta_t = \eta_v \cdot \eta_{mh}$)

Technical data

Permissible radial and axial loading on drive shaft

Size		NG		71	90
Drive shaft			in	1 3/8	1 1/2
Radial force maximum at distance a (from shaft collar)		$F_{q \max}$	N	5600	7100
		a	mm	24	24
Axial force maximum		$+F_{ax \max}$	N	4242	4330
		$-F_{ax \max}$	N	2758	2670

Note

Special requirements apply in the case of belt drives. Please contact us.

Force-transfer direction of the permissible axial force:

+ $F_{ax \max}$ = Increase in service life of bearings

- $F_{ax \max}$ = Reduction in service life of bearings (avoid)

Permissible input and through-drive torques

Size		NG		71	90
Torque at $V_{g \max}$ and $\Delta p = 400 \text{ bar}$) ¹⁾		T_{\max}	Nm	452	573
Input torque at drive shaft, maximum ²⁾	V8	1 3/8 in	$T_{E \max}$	Nm	970
	V9	1 1/2 in	$T_{E \max}$	Nm	-
Maximum through-drive torque			$T_{D \max}$	Nm	250
				250	250

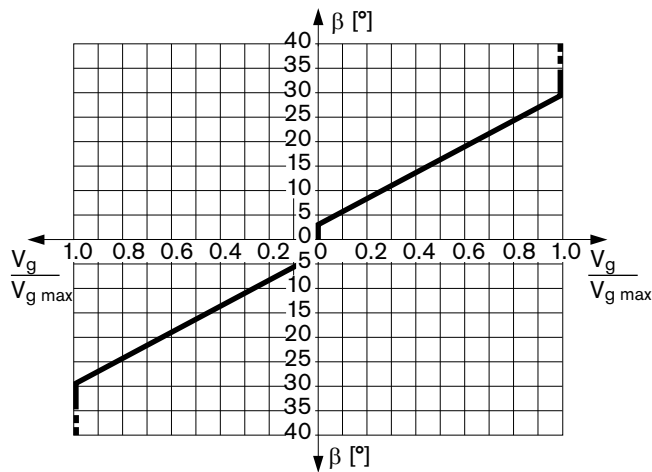
1) Efficiency not considered

2) For drive shafts with no radial force

HW – Proportional control hydraulic, mechanical servo

The output flow of the pump can be steplessly varied in the range between 0 to 100 %, proportional to the rotation of the control lever between 0° and ±29°.

A feedback lever connected to the stroke piston maintains the pump flow for any given position of the control lever between 0° and 29°.



Swivel angle β at the control lever for deflection:

Start of control at $\beta = 3^\circ$

End of control at $\beta = 29^\circ$ (maximum displacement $V_{g\ max}$)

Mechanical stop for $\beta: \pm 40^\circ$

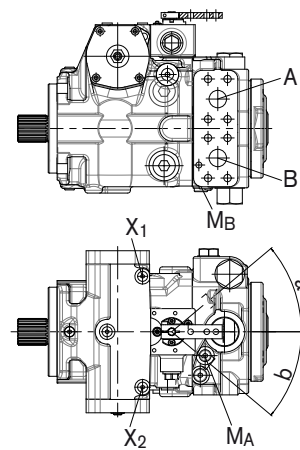
The maximum required torque at the lever is 170 Ncm. To prevent damage to the HW control unit, a positive mechanical stop must be provided for the HW control lever.

Note

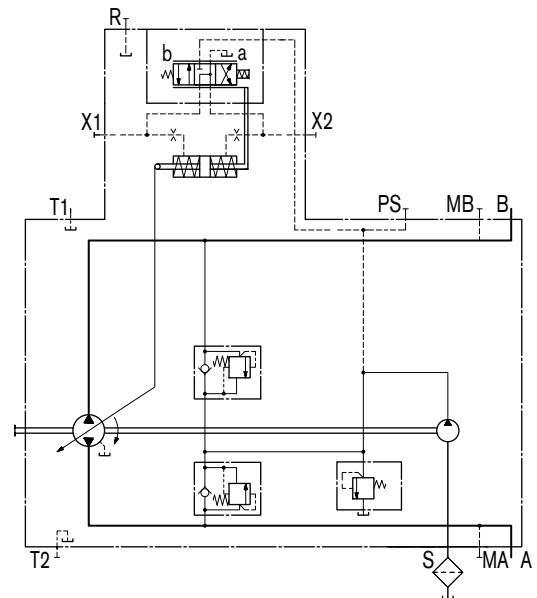
Spring centering enables the pump, depending on pressure and speed, to move automatically to the neutral position ($V_g = 0$) as soon as there is no longer any torque on the control lever of the HW control unit (regardless of deflection angle).

Assignment
Direction of rotation - Control - Flow direction

	Lever direction	Control pressure	Flow direction	Operating pressure
Direction of rotation clock-wise	a	X ₂	B to A	M _A
	b	X ₁	A to B	M _B
Direction of rotation counter-clock-wise	a	X ₂	A to B	M _B
	b	X ₁	B to A	M _A



Circuit diagram

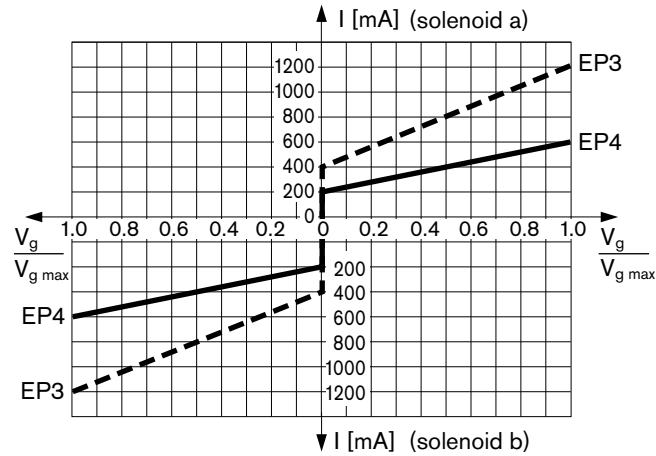


EP – Proportional control electric

The output flow of the pump can be steplessly varied in the range between 0 to 100 %, proportional to the electrical current supplied to solenoid a or b.

The electrical energy is converted into a force acting on the control piston. This control piston then directs control hydraulic fluid into and out of the stroke cylinder to adjust pump displacement as required.

A feedback lever connected to the stroke piston maintains the pump flow for any given current within the control range.



Technical data, solenoid	EP3	EP4
Voltage	12 V (±20 %)	24 V (±20 %)
Start of control at V_{g0}	400 mA	200 mA
End of control at V_{gmax}	1200 mA	600 mA
Limiting current	1.54 A	0.77 A
Nominal resistance (at 20 °C)	5.5 Ω	22.7 Ω
Dither frequency	100 Hz	100 Hz
Actuated time	100 %	100 %

Type of protection see connector design, page 20

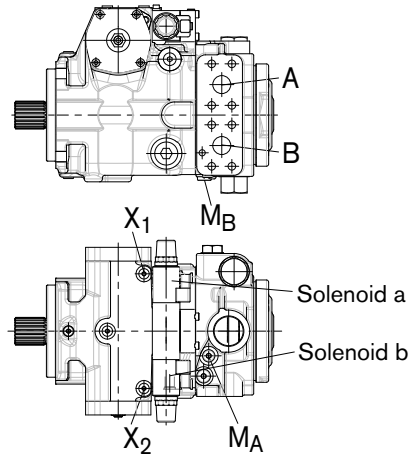
The following electronic controllers and amplifiers are available for controlling the proportional solenoids:

- BODAS controller RC
 - Series 20 _____ RE 95200
 - Series 21 _____ RE 95201
 - Series 22 _____ RE 95202
 - Series 30 _____ RE 95203
 and application software
- Analog amplifier RA _____ RE 95230

Further information can also be found on the Internet at www.boschrexroth.com/mobile-electronics.

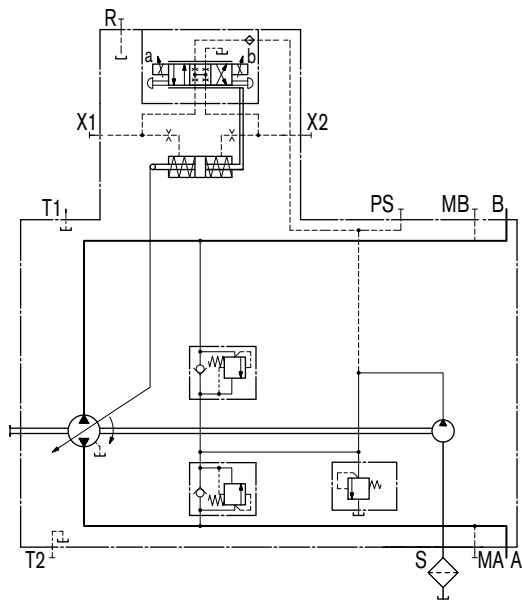
Assignment
Direction of rotation – Control – Flow direction

	Actuation of solenoid	Control pressure	Flow direction	Operating pressure
Direction of rotation clockwise	b	X ₂	B to A	M _A
	a	X ₁	A to B	M _B
Direction of rotation counter-clockwise	b	X ₂	A to B	M _B
	a	X ₁	B to A	M _A



EP – Proportional control electric

Circuit diagram



Note

The spring return feature in the control unit is not a safety device

The spool valve inside the control unit can get stuck in an undefined position by internal contamination (contaminated hydraulic fluid, abrasion or residual contamination from system components). As a result, the axial piston unit can no longer supply the flow specified by the operator.

Check whether your application requires that remedial measures be taken on your machine in order to bring the driven consumer into a safe position (e. g. immediate stop).

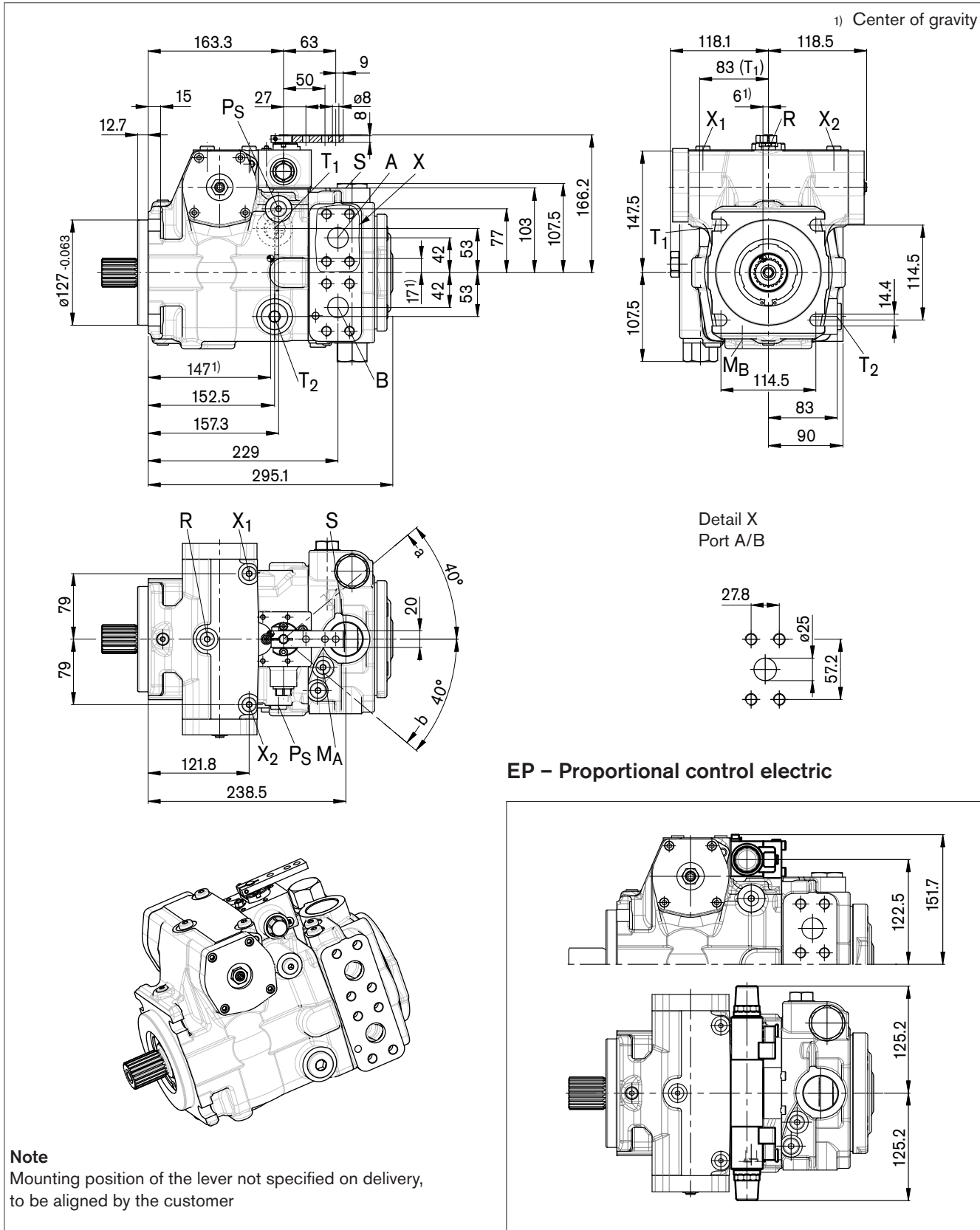
Dimensions size 71

Before finalizing your design, request a binding installation drawing. Dimensions in mm.

HW – Proportional control hydraulic, mechanical servo

Standard: suction port S at top (02)

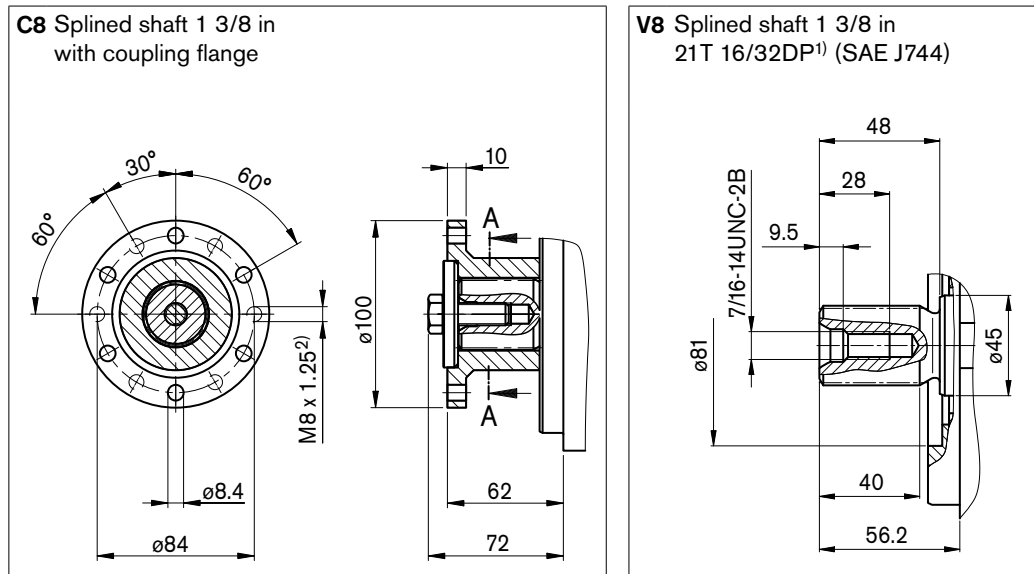
Option: suction port S at bottom (01): port plate turned through 180°



Dimensions size 71

Before finalizing your design, request a binding installation drawing. Dimensions in mm.

Drive shaft



Ports

Designation	Port for	Standard	Size ²⁾	Maximum pressure [bar] ³⁾	State
A, B	Service line Fixing thread A/B	SAE J518 ⁴⁾ DIN 13	1 in M12 x 1.75; 17 deep	450	O
S	Suction	DIN 3852	M42 x 2; 20 deep	5	O
T ₁	Tank	DIN 3852	M26 x 1.5; 16 deep	3	O ⁵⁾
T ₂	Tank	DIN 3852	M26 x 1.5; 16 deep	3	X ⁵⁾
R	Air bleed	DIN 3852	M12 x 1.5; 12 deep	3	X
X ₁ , X ₂	Control pressure (upstream of orifice)	DIN 3852	M12 x 1.5; 12 deep	40	X
X ₃ , X ₄ ⁶⁾	Stroking chamber pressure	DIN 3852	M12 x 1.5; 12 deep	40	X
P _S	Pilot pressure, inlet	DIN 3852	M14 x 1.5; 12 deep	40	X
M _A , M _B	Measuring pressure A, B	DIN 3852	M12 x 1.5; 12 deep	450	X

1) ANSI B92.1a-1976, 30° pressure angle, flat root, side fit, tolerance class 5

2) Observe the general instructions on page 24 for the maximum tightening torques.

3) Short-term pressure spikes may occur depending on the application. Keep this in mind when selecting measuring devices and fittings.

4) Only dimensions according to SAE J518

5) Depending on installation position, T₁ or T₂ must be connected (see also page 22).

6) Optional, see page 18

O = Must be connected (plugged on delivery)

X = Plugged (in normal operation)

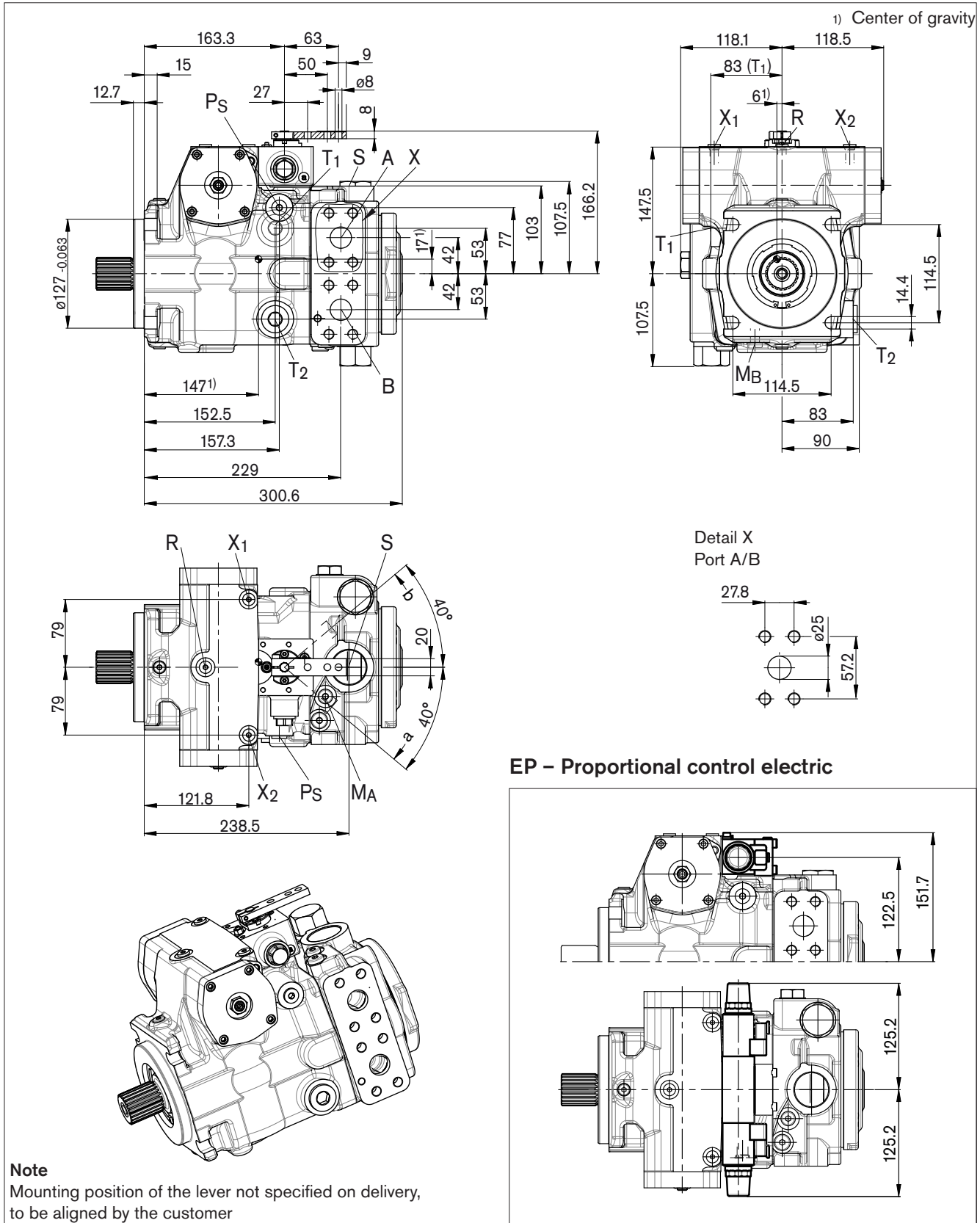
Dimensions size 90

Before finalizing your design, request a binding installation drawing. Dimensions in mm.

HW – Proportional control hydraulic, mechanical servo

Standard: suction port S at top (02)

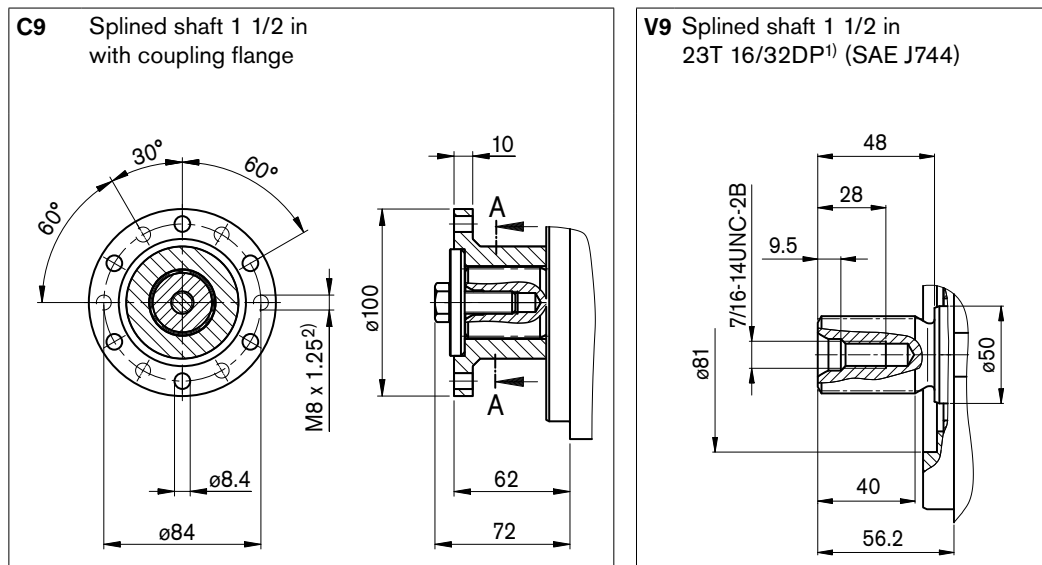
Option: suction port S at bottom (01): port plate turned through 180°



Dimensions size 90

Before finalizing your design, request a binding installation drawing. Dimensions in mm.

Drive shaft



Ports

Designation	Port for	Standard	Size ²⁾	Maximum pressure [bar] ³⁾	State
A, B	Service line Fixing thread A/B	SAE J518 ⁴⁾ DIN 13	1 in M12 x 1.75; 17 deep	450	O
S	Suction	DIN 3852	M42 x 2; 20 deep	5	O
T ₁	Tank	DIN 3852	M26 x 1.5; 16 deep	3	O ⁵⁾
T ₂	Tank	DIN 3852	M26 x 1.5; 16 deep	3	X ⁵⁾
R	Air bleed	DIN 3852	M12 x 1.5; 12 deep	3	X
X ₁ , X ₂	Control pressure (upstream of orifice)	DIN 3852	M12 x 1.5; 12 deep	40	X
X ₃ , X ₄ ⁶⁾	Stroking chamber pressure	DIN 3852	M12 x 1.5; 12 deep	40	X
P _S	Pilot pressure, inlet	DIN 3852	M14 x 1.5; 12 deep	40	X
M _A , M _B	Measuring pressure A, B	DIN 3852	M12 x 1.5; 12 deep	450	X

1) ANSI B92.1a-1976, 30° pressure angle, flat root, side fit, tolerance class 5

2) Observe the general instructions on page 24 for the maximum tightening torques.

3) Short-term pressure spikes may occur depending on the application. Keep this in mind when selecting measuring devices and fittings.

4) Only dimensions according to SAE J518

5) Depending on installation position, T₁ or T₂ must be connected (see also page 22).

6) Optional, see page 18

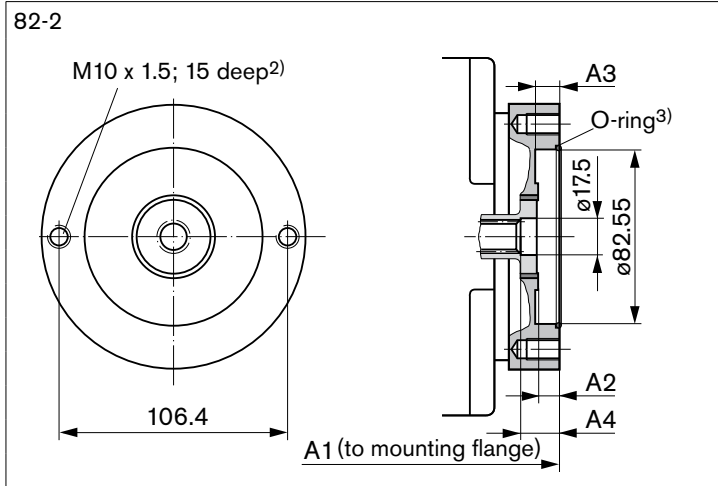
O = Must be connected (plugged on delivery)

X = Plugged (in normal operation)

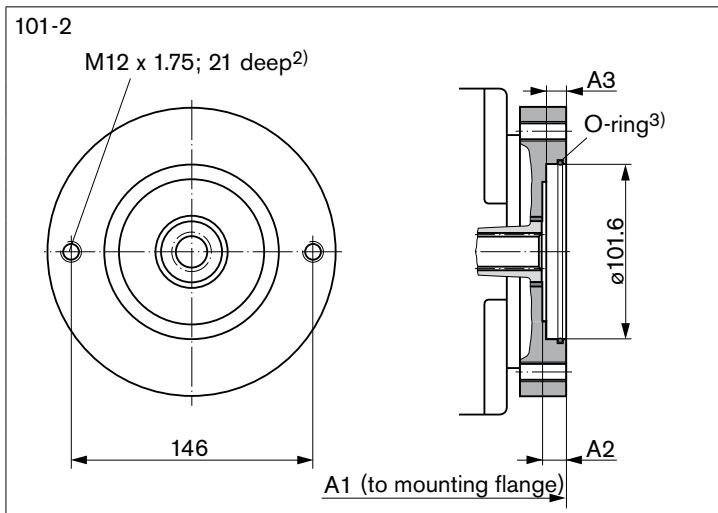
Through drive dimensions

Before finalizing your design, request a binding installation drawing. Dimensions in mm.

Flange SAE J744			Coupling for splined shaft ¹⁾			071	090	
Diameter	Mounting variant		Diameter	Designation				
	Symbol	Designation						
Without						●	●	0000
82-2	∞	A2	5/8 in 9T 16/32DP	S2		●	●	A2S2
101-2	∞	B2	7/8 in 13T 16/32DP	S4		●	●	B2S4



NG	A1	A2	A3	A4
71	300.1	9	10	19.8
90	305.6	9	10	19.8



NG	A1	A2	A3
71	305.1	12	9.8
90	310.6	12	9.8

- 1) Coupling for splined shaft according to ANSI B92.1a-1976, 30° pressure angle, flat root, side fit, tolerance class 5
- 2) Thread according to DIN 13, observe the general instructions on page 24 for the maximum tightening torques.
- 3) O-ring included in the delivery contents

Overview of attachments

Through drive			Attachment – 2nd pump			
Flange	Coupling for splined shaft	Short code	A10VG NG (shaft)	A10VO/31 NG (shaft)	A10VO/53 NG (shaft)	External gear pump
82-2 (A)	5/8 in	A2S2	–	18 (U)	10 (U)	Size F NG4 to 22 ¹⁾
101-2 (B)	7/8 in	B2S4	18 (S)	28 (S,R) 45 (U,W)	28 (S,R) 45 (U,W)	Size N NG20 to 32 ¹⁾ Size G NG38 to 45 ¹⁾

1) Rexroth recommends special versions of the gear pumps. Please contact us.

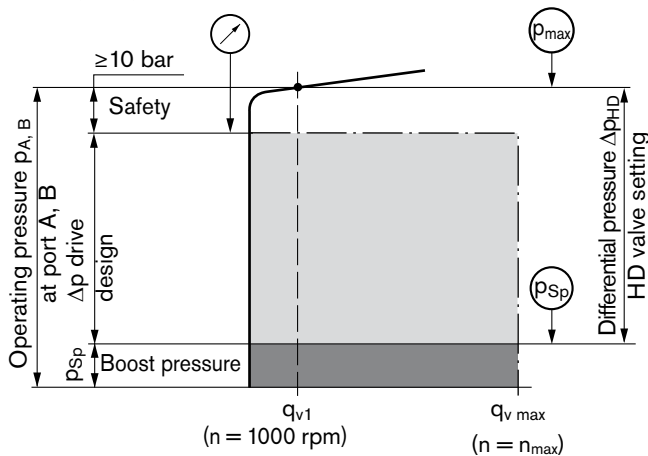
High-pressure relief valves

The two high-pressure relief valves protect the hydrostatic transmission (pump and motor) from overload. They limit the maximum pressure in the respective high-pressure line and serve simultaneously as boost valves.

Standard adjustment Δp_{HD} _____ 400 bar

Please contact us regarding other pressure settings.

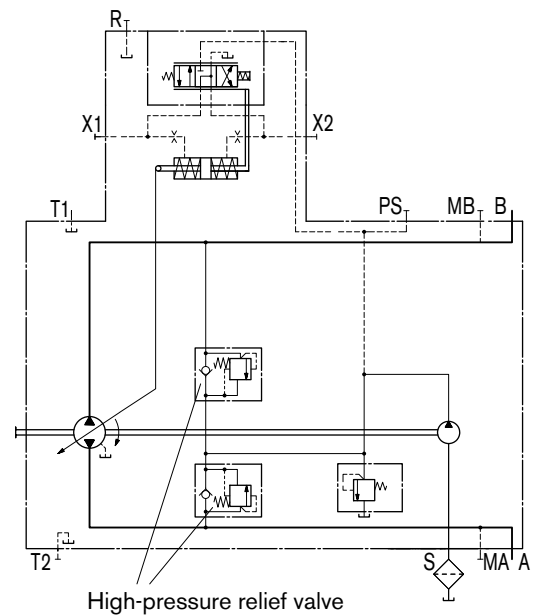
Setting diagram



Note

The valve settings are made at $n = 1000$ rpm and at $V_{g max}$ (q_{v1}). There may be deviations in the opening pressures with other operating parameters.

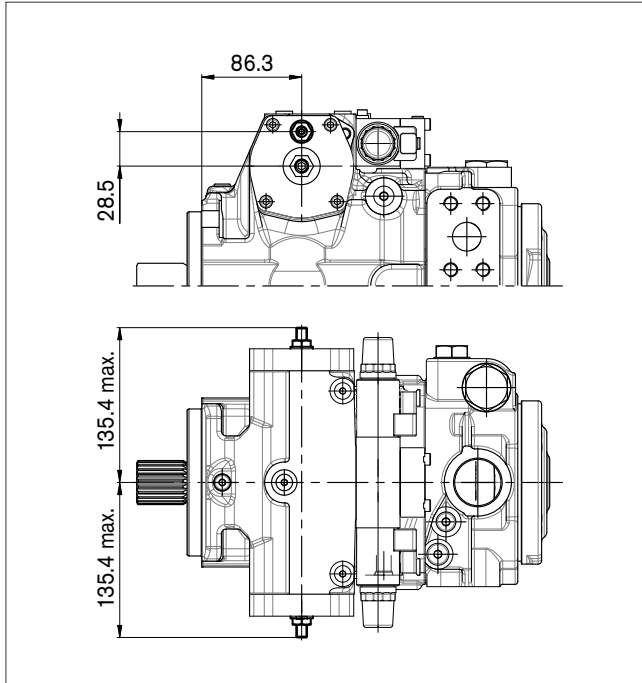
Circuit diagram



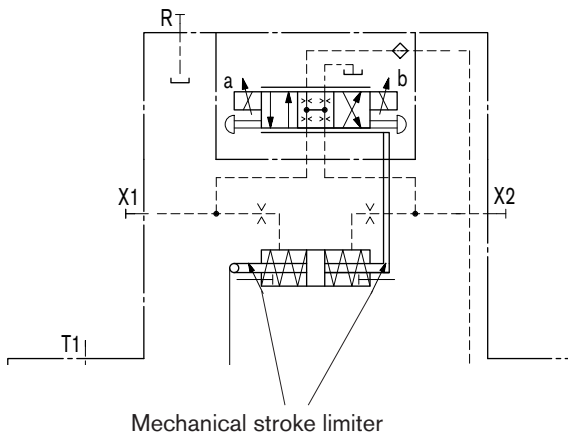
Mechanical stroke limiter

The mechanical stroke limiter is an auxiliary function allowing the maximum displacement of the pump to be steplessly reduced, regardless of the control unit used.

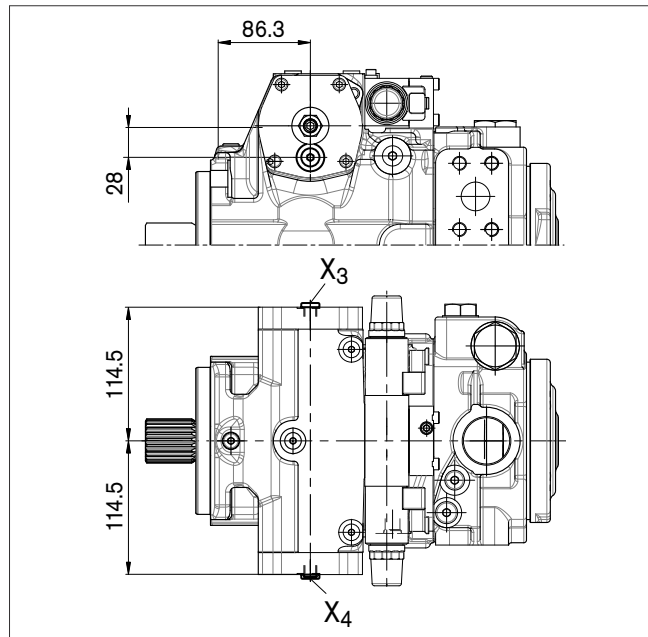
The stroke of the stroke cylinder and hence the maximum swivel angle of the pump are limited by means of two adjusting screws.



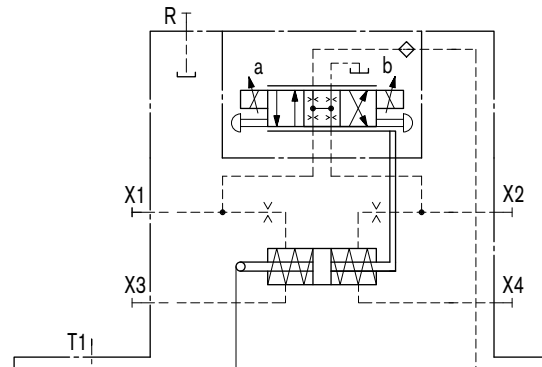
Circuit diagram



Ports X₃ and X₄ for stroking chamber pressure



Circuit diagram



Designation	Port for	Standard	Size ¹⁾	Maximum pres- sure [bar] ²⁾	State
X ₃ , X ₄	Stroking chamber pressure	DIN 3852	M12 x 1.5; 12 deep	40	X

1) Observe the general instructions on page 24 for the maximum tightening torques.

2) Short-term pressure spikes may occur depending on the application. Keep this in mind when selecting measuring devices and fittings.

Before finalizing your design, request a binding installation drawing. Dimensions in mm.

Filtration boost circuit

Version S

Filtration in the suction line of the boost pump

Filter type _____ **filter without** bypass

Recommendation _____ **with** contamination indicator

Flow resistance at the filter cartridge:

With $v = 30 \text{ mm}^2/\text{s}$, $n = n_{\text{max}}$ _____ $\Delta p \leq 0.1 \text{ bar}$

With $v = 1000 \text{ mm}^2/\text{s}$, $n = n_{\text{max}}$ _____ $\Delta p \leq 0.3 \text{ bar}$

Pressure at port S of the boost pump

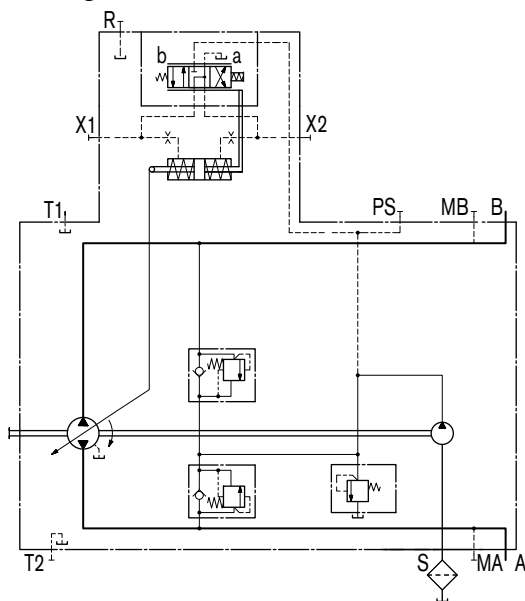
Suction pressure $p_{S \text{ min}}$ ($v \leq 30 \text{ mm}^2/\text{s}$) _____ $\geq 0.8 \text{ bar absolute}$

At cold start short-term ($t < 3 \text{ min}$) _____ $\geq 0.5 \text{ bar absolute}$

Suction pressure $p_{S \text{ max}}$ _____ $\leq 5 \text{ bar absolute}$

The filter is not included in the delivery contents.

Circuit diagram



Connector for solenoids

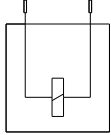
DEUTSCH DT04-2P-EP04, 2-pin

Molded, without bidirectional suppressor diode _____ P

Type of protection according to DIN/EN 60529:
IP67 and IP69K

Circuit symbol

Without bidirectional suppressor diode



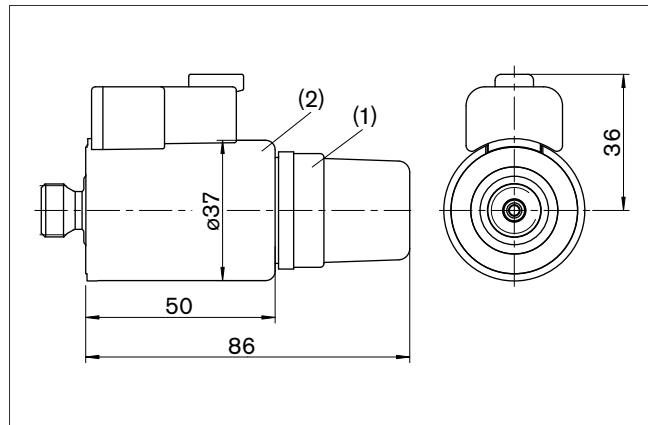
Mating connector

DEUTSCH DT06-2S-EP04
Rexroth Mat. No. R902601804

Consisting of: _____ DT designation
 – 1 case _____ DT06-2S-EP04
 – 1 wedge _____ W2S
 – 2 female connectors _____ 0462-201-16141

The mating connector is not included in the delivery contents.
This can be supplied by Rexroth on request.

Solenoid with emergency actuation and spring return



Note

Manual override (emergency actuation) can be applied in the event of a malfunction in the electrical system.
Not approved for continuous operation!

Changing connector position

If necessary, you can change the position of the connector by turning the solenoid.

To do this, proceed as follows:

1. Loosen the fixing nut (1) of the solenoid. To do this, turn the fixing nut (1) one turn counter-clockwise.
2. Turn the solenoid body (2) to the desired position.
3. Retighten the fixing nut. Tightening torque of the fixing nut: 5 +1 Nm (WAF 26, 12-sided DIN 3124)

On delivery, the position of the connector may differ from that shown in the brochure or drawing.

Installation situation for coupling assembly

Before finalizing your design, request a binding installation drawing. Dimensions in mm.

To ensure that rotating components (coupling hub) and fixed components (case, retaining ring) do not come into contact with each other, the installation conditions described here must be observed. This depends on the size and the splined shaft.

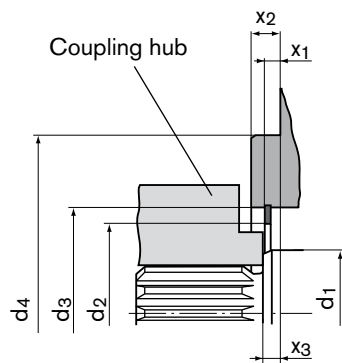
SAE splined shaft (spline according to ANSI B92.1a-1976)

– Drive shaft V8, V9

The outer diameter of the coupling hub must be smaller than the inner diameter of the retaining ring d_2 in the area near the drive shaft collar (dimension $x_2 - x_3$).

– Drive shaft with mounted coupling flange C8, C9

The depicted installation conditions are already taken into account by Rexroth.



Size	Mounting flange	$\varnothing d_1$	$\varnothing d_{2 \text{ min}}$	$\varnothing d_3$	$\varnothing d_4$	x_1	x_2	x_3
71	127-4	45	66.5	81 ±0.1	127	7.0 +0.2	12.7 -0.5	8 +0.9 -0.6
90	127-4	50	66.5	81 ±0.1	127	7.0 +0.2	12.7 -0.5	8 +0.9 -0.6

Installation instructions

Before finalizing your design, request a binding installation drawing. Dimensions in mm.

General

During commissioning and operation, the axial piston unit must be filled with hydraulic fluid and air bled. This is also to be observed following a relatively long standstill as the system may empty via the hydraulic lines.

The case drain fluid in the case interior must be directed to the tank via the highest tank port (T_1 , T_2). The minimum suction pressure at port S must not fall below 0.8 bar absolute (cold start 0.5 bar absolute).

In all operational states, the suction line and tank line must flow into the tank below the minimum fluid level.

Installation position

See examples below. Additional installation positions are available upon request.

Recommended installation positions: 1 and 2.

Below-tank installation (standard)

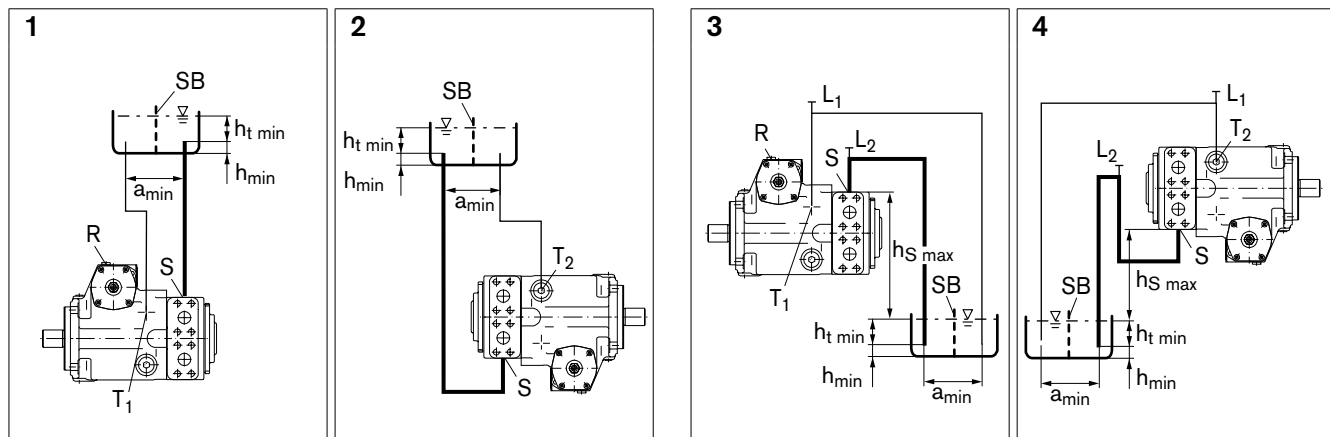
Pump below minimum fluid level of the tank.

Above-tank installation

Pump above minimum fluid level of the tank.

Observe the maximum permissible suction height

$h_{S \max} = 800 \text{ mm}$.



$h_{S \max} = 800 \text{ mm}$, $h_{t \min} = 200 \text{ mm}$, $h_{\min} = 100 \text{ mm}$, SB = baffle (baffle plate)

When designing the reservoir, ensure adequate distance a_{\min} between the suction line and the case drain line to prevent the heated, return flow from being drawn directly back into the suction line.

Installation position	Air bleed	Filling
1	R	S + T_1
2	-	S + T_2

Installation position	Air bleed	Filling
3	L_2 (S) + R	L_2 (S) + L_1
4	L_2 + L_1 (T_2)	L_2 + L_1 (T_2)

Notes

General instructions

- The A4VTG pump is designed to be used in a closed circuit.
- Project planning, assembly and commissioning of the axial piston unit require the involvement of qualified personnel.
- The service line ports and function ports are only designed to accommodate hydraulic lines.
- During and shortly after operation, there is a risk of burns on the axial piston unit and especially on the solenoids. Take appropriate safety measures (e. g. by wearing protective clothing).
- Depending on the operational state of the axial piston unit (operating pressure, fluid temperature), the characteristic may shift.
- Pressure ports:
The ports and fixing threads are designed for the specified maximum pressure. The machine or system manufacturer must ensure that the connecting elements and lines correspond to the specified operating conditions (pressure, flow, hydraulic fluid, temperature) with the necessary safety factors.
- The data and notes contained herein must be adhered to.
- The following tightening torques apply:
 - Threaded hole for axial piston unit:
The maximum permissible tightening torques $M_{G \max}$ are maximum values for the threaded holes and must not be exceeded. For values, see the following table.
 - Fittings:
Observe the manufacturer's instruction regarding the tightening torques of the used fittings.
 - Fixing screws:
For fixing screws according to DIN 13, we recommend checking the tightening torque individually according to VDI 2230.
 - Locking screws:
For the metal locking screws supplied with the axial piston unit, the required tightening torques of locking screws M_V apply. For values, see the following table.
- The product is not approved as a component for the safety concept of a general machine according to DIN EN ISO 13849.

Threaded port sizes		Maximum permissible tightening torque of the threaded holes $M_{G \max}$	Required tightening torque of the locking screws M_V	WAF hexagon socket for the locking screws
M12 x 1.5	DIN 3852	50 Nm	25 Nm	6 mm
M14 x 1.5	DIN 3852	80 Nm	35 Nm	6 mm
M26 x 1.5	DIN 3852	230 Nm	120 Nm	12 mm
M42 x 2	DIN 3852	720 Nm	360 Nm	22 mm