



1. Ingresso Acqua T ambiente
2. Uscita Acqua Gasata fredda
3. Ingresso CO2
4. Ingresso Acqua liscia fredda
5. Uscita Acqua Liscia fredda
6. NTC 10K a 25°C
7. Livello massimo
8. GROUND
9. Livello minimo
10. Scarico: durante il primo riempimento ricordarsi di sfiatare l'aria aprendo l'apposita valvola di scarico fino al raggiungimento della massima capacità di acqua

SIREC ELECTRIC TECH (HUIZHOU) LTD. Work Instructor	File NO.	SR/WI-41
	Date	2005.07.29
Install level sensor and sensor screw	Edit State	B.0
	Page NO.	1/1

NO.	TYPE	POST
01	SR-03S	ONE

MATERIAL LIST					FACILITY LIST		
Item	Material No.	Drawing No.	Material Name	Quantity	Item	Material Name	Quantity
1	3L01004	3L-34	Natural cover	1	1	spanner	1
2	3L02017	3L-08	Sensor screw	3	2		
3	3L02018/45/46	3L-07	Level sensor	Each 1	3		
4	3L04016/20/21		Plastic pipe	Each 1	4		
5	3L05001		Adhesive plaster	Proper	5		
6							

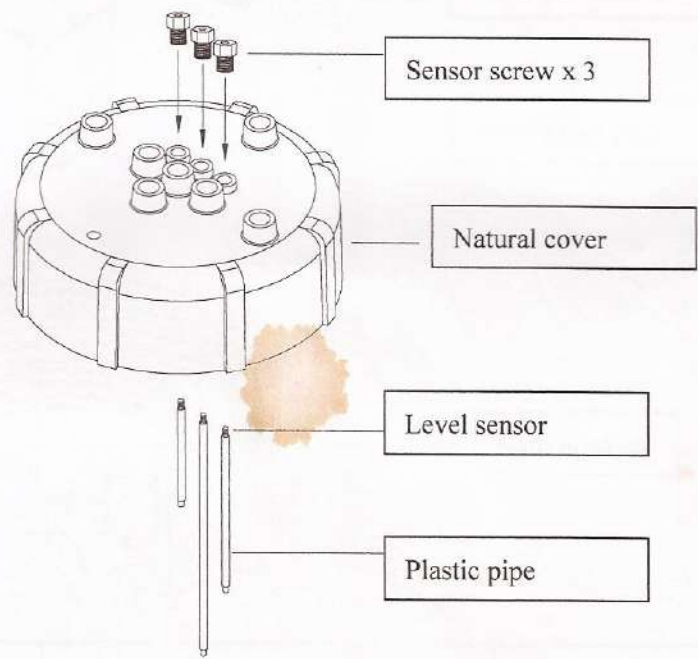
Step:

1. Set the teflon plastic pipe separately on the level sensor, each end of the level sensor is bare 5mm.
2. Wrap proper adhesive plaster on the thread of the sensor screw, turn it into the hole and into the right place.
3. Turn the level sensor into the screw hole of the sensor screw M3.

Attention:

The install position of the 3pcs level sensor as the following drawing, the longest one is at the middle, the shortest one is on the left, the medial one is on the right.

Drawing:



Made by: Song qilin	Audit:	Ratify:
----------------------------	---------------	----------------

SIREC ELECTRIC TECH (HUIZHOU) LTD. Work Instructor	File No.	SR/WI-44	
	Date	2004.07.29	
Install water jet and water block plate	Edit State	B.0	
	Page	1/1	

No.	Type	Post
04	SR-03S	Four

Material List					Facility list		
Item	Material No.	Drawing No.	Material Name	quantity	Item	Material Name	Quantity
1	3L02004	3L-15	Water jet	1	1	Spanner	1
2	3L02008	3L-22	Water block plate	1	2		
3					3		

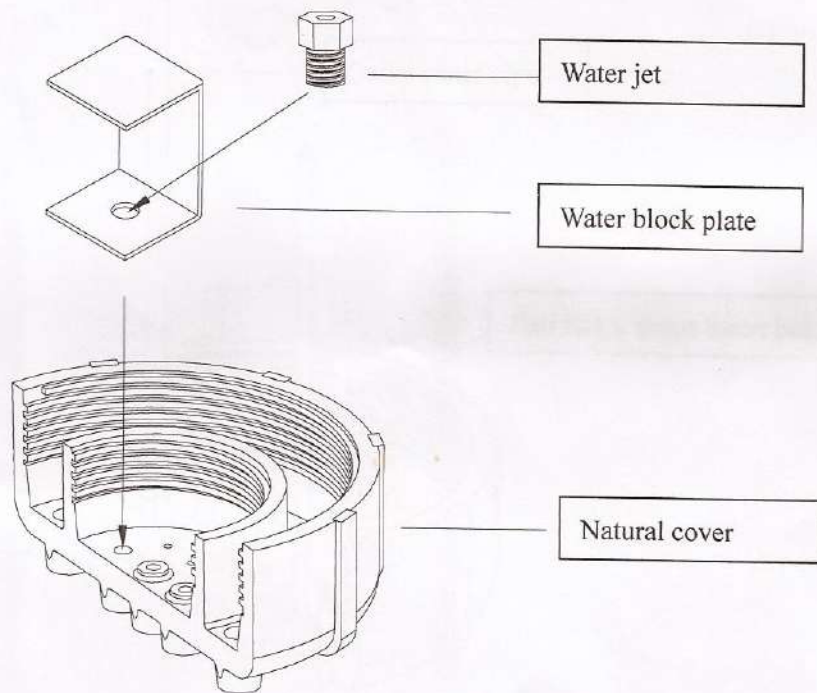
Step:

- As the following show, set the water block plate into the hole, the open part should face the exhaust valve hole's direction.
- Revolve the water jet into the hole, then use the spanner to turn the water jet tight so as to press tight the water block plate.

Attention:

As the drawing show, the open direction of the water block plate is facing the temperature control hole.

Drawing:



Made by: Song qilin	Audit:	Ratify:
----------------------------	---------------	----------------

SIREC ELECTRIC TECH (HUIZHOU) LTD. Work Instructor	File No.	SR/WI-48
	Date	2005.07.10
Install outlet water pipe and fast fit (insert bolt)	Edit state	B.0
	Page	1/1

No.	Type	Post
08	SR-03S	Eight

Material List					Facility List		
Item	Material No.	Drawing No.	Material Name	Quantity	Item	Material Name	Quantity
1	3L04017		Fast fit (L shape insert bolt)	1	1		
2	3L02019	3L-45	Outlet water pipe	1	2		
3					3		
4					4		
5					5		

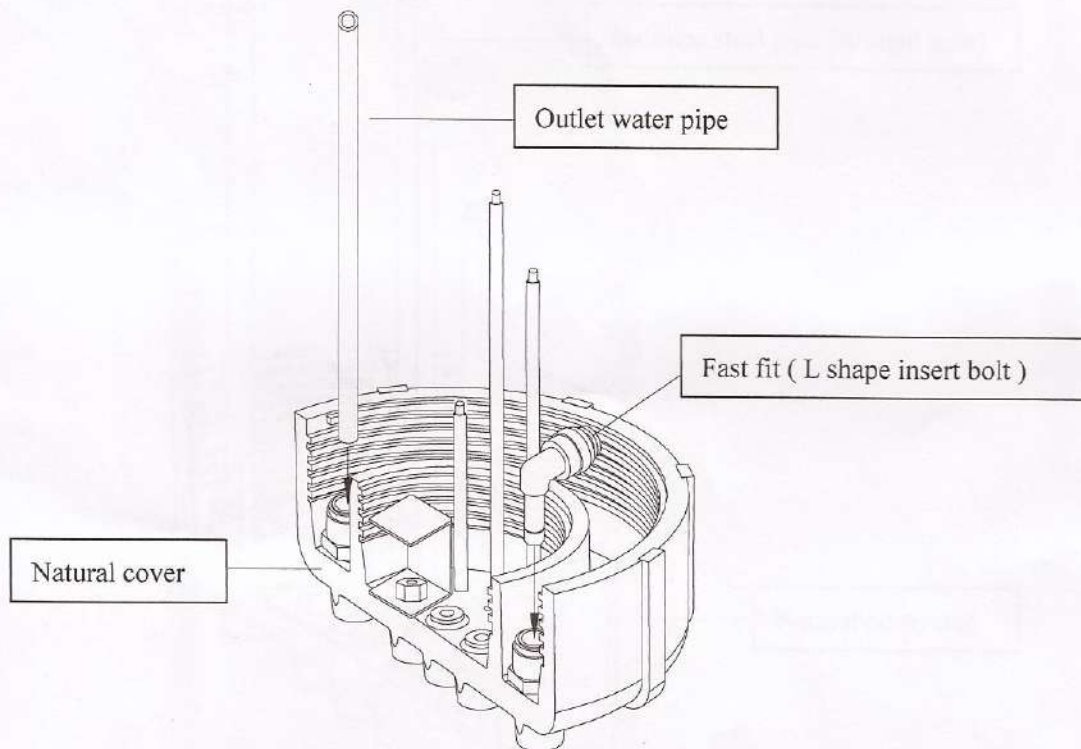
Step:

1. As following show, separately set the fast fit (L shape insert bolt) and the outlet water pipe into the relevant hole.

Attention:

Please insert the outlet water pipe into the hole of the line shape fast fit, at the side of the shortest level sensor.

Drawing:



Made by: Song qilin

Audit:

Ratify:

SIREC ELECTRIC TECH (HUIZHOU) LTD. Work Instructor	File No.	SR/WI-49
	Date	2004.09.06
Install Stainless Steel Pipe(straight hole)	Edit State	B.02
	Page	1/1

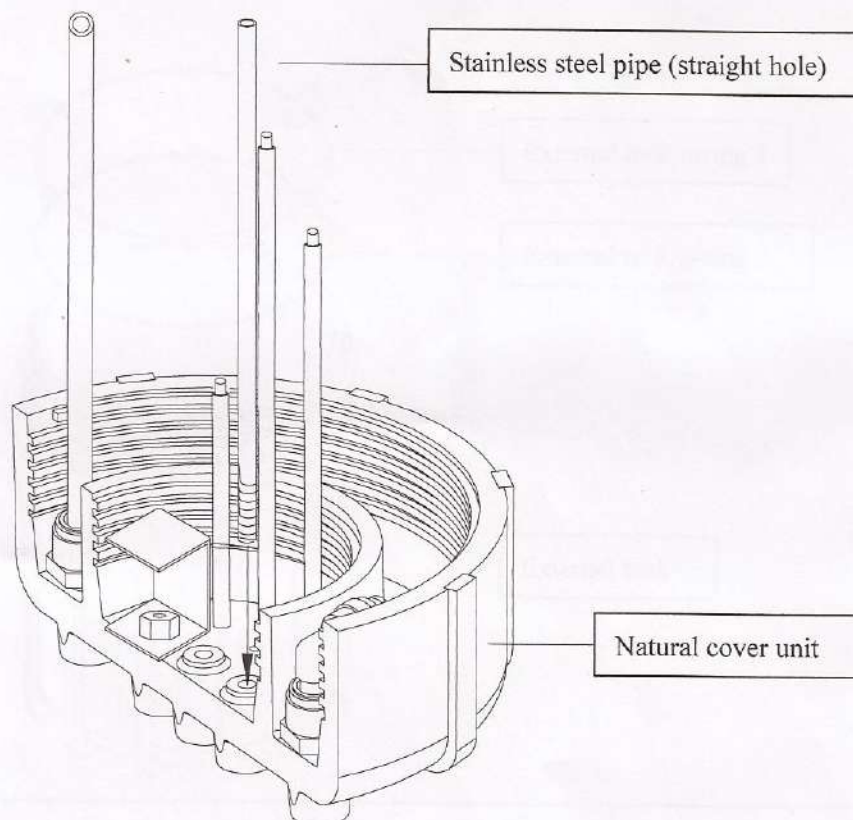
No.	Type	Post
09	SR-03S	Nine

Material List					Facility List		
Item	Material No.	Drawing No.	Material Name	Quantity	Item	Material Name	Quantity
1	3L02019	3L-09	Stainless steel pipe (straight hole)	1	1		
2	3L05001		Adhesive plaster	Proper	2		
3					3		
					4		
					5		

Step:

1. Wrap proper and even adhesive plaster at the thread of the steel pipe.
2. As the drawing show, revolve the steel pipe which wrapped with adhesive plaster into the screw hole of the cover.

Drawing:



Made by: Song qilin	Audit:	Ratify:
----------------------------	---------------	----------------

SIREC ELECTRIC TECH (HUIZHOU) LTD. Work Instructor	File No.	SR/WI-71
	Date	2005.09.02
Install o-ring for external tank	Edit State	B.01
	Page	1/1

No.	Type	Post
29	SR-03S	Pre-process

Material List					Facility List		
Item	Material No.	Drawing No.	Material Name	Qty	Item	Material Name	Qty
1	3L01001	3L-32	External tank	1	1		
2	3L02036		External tank o-ring 1	1	2		
3	3L02046		External tank o-ring 2	1	3		
					4		

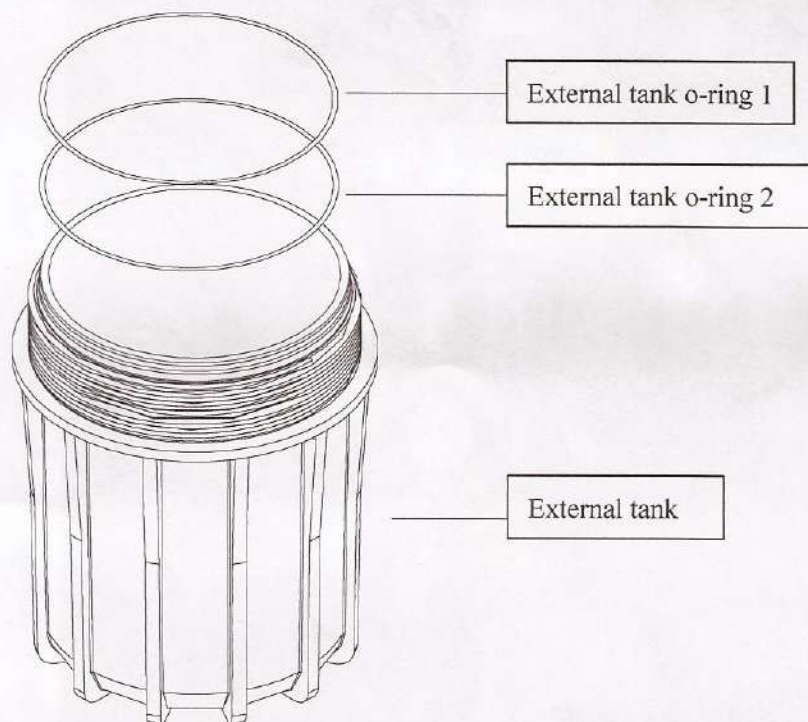
Step:

1. As the drawing show, separately set the two o-rings on the external tank.

Attention:

Set the 3.0 o-ring on the top of the external tank, and the 3.55 o-ring on the bottom of the external tank.

Drawing:



Made by: Song qilin	Audit:	Ratify:
----------------------------	---------------	----------------

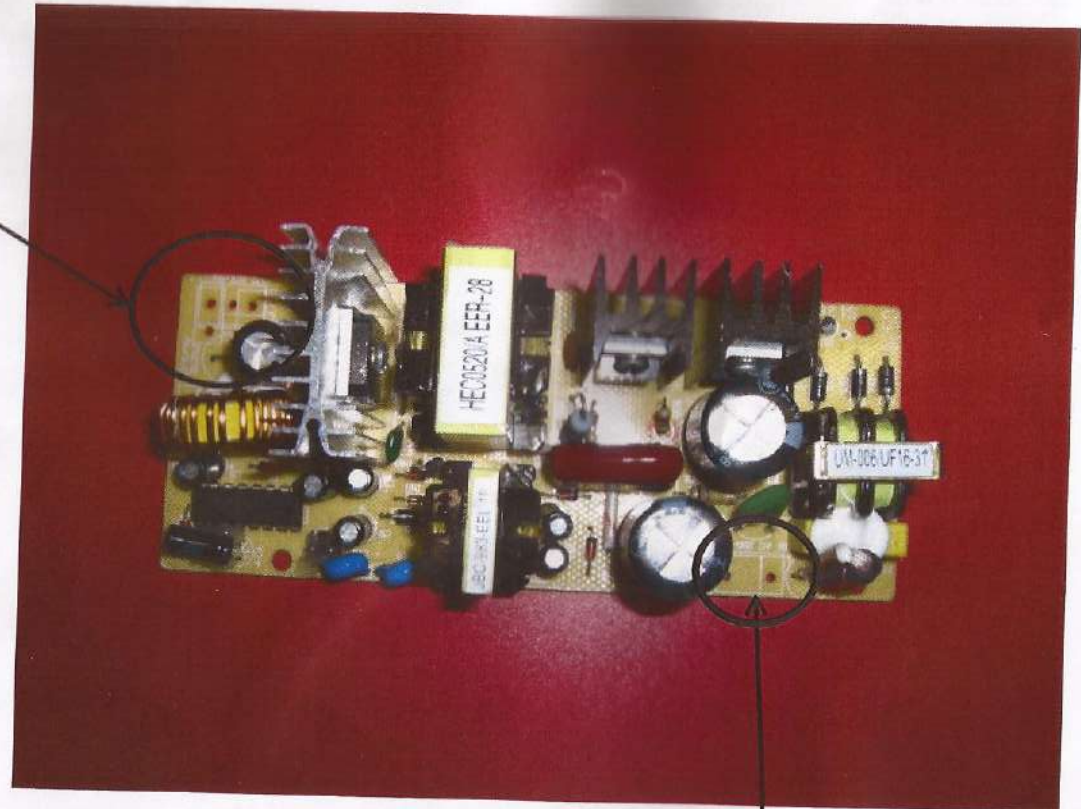
Alimentatore Switching

+Vdc

-Vdc



Output 12Vdc 6A



Input 220Vac - 50Hz