

Bollards

GOTHIC110

arcluce-us.com  gothic



DESCRIPTION

Luminaire

- Die-cast aluminium body (EN 47100).
- Extruded aluminium pole.
- Double layer polyester powder paint resistant to corrosion and salt spray fog.
- Silicone rubber gaskets.
- AISI 316 stainless steel external screws.
- Screen made of 3/16" thermal-shock resistant tempered glass.

Electrical

- Nominal LED efficacy up to 155lm/W (4000K - 350mA - CRI>80 - T_j=100°C).
- LED life time: >50000h with L80.
- High colour consistency: <3 SDCM.
- LED driver protected against voltage spikes.
- Integral LED driver. Available with 0-10V dimming option.

Installation

- PG13,5 engineering plastic cable gland.
- Die-cast aluminium base (EN 47100).
- Galvanized and painted steel base plate with galvanized steel stud bolts.

TECHNICAL INFORMATION

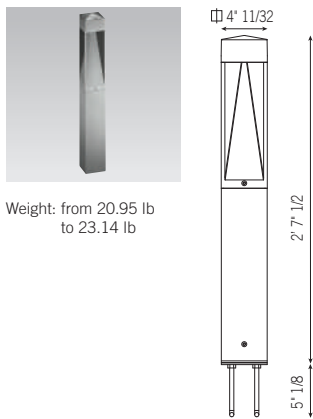
Luminaire power:	15W
Source lumen:	Up to 1400lm
LED:	3000K - 4000K, CRI>80



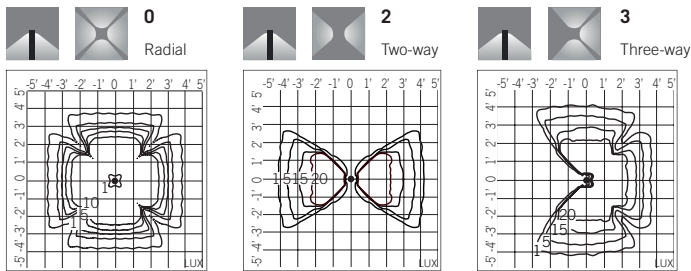
GOTHIC¹¹⁰

16 21

Family	Model	Size	Height	Optics	CCT	Fixture color	Wiring
S- Urban lighting	GT Gothic	0 4"	0 2'7" 1/2	0 Radial	3 3000K	US- 16 Grey	A 120V 60Hz
				2 Two-way	4 4000K	US- 21 Aluminium	S 120-277V 60Hz / 0-10V
				3 Three-way			



Optics



Accessories

ANCHORAGE

Code	lbs
1099091X+31	4.63

Zinc-plated anchorage.

31

