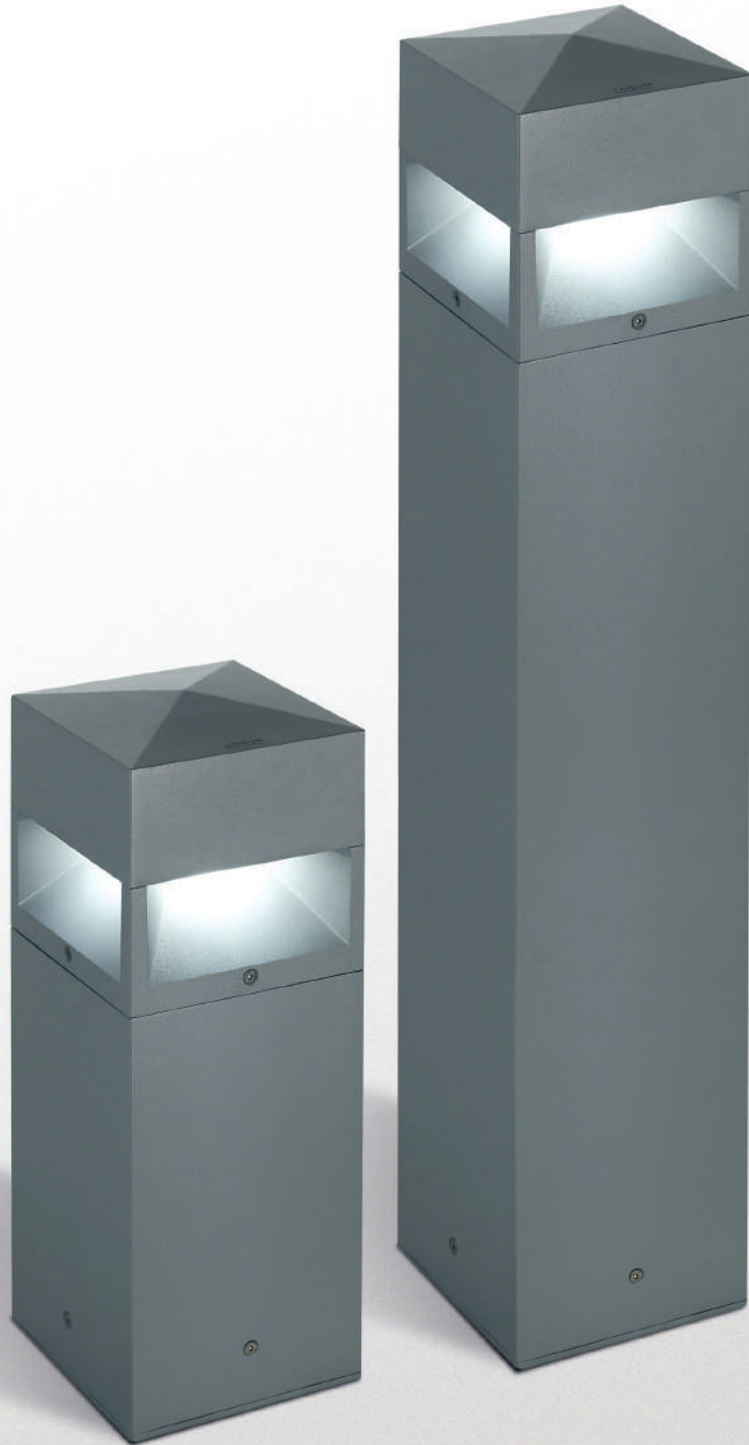


KUBIX180

arcluce-us.com  kubix



DESCRIPTION

Luminaire

- Die-cast aluminium body (EN 47100).
- Extruded aluminium pole.
- Double layer polyester powder paint resistant to corrosion and salt spray fog.
- Silicone rubber gaskets.
- AISI 316 stainless steel external screws.
- Screen made of 3/16" thermal-shock resistant tempered glass.

Electrical

- Nominal LED efficacy up to 144lm/W (4000K - 700mA - CRI>70 - T_j=100°C).
- LED life time: >50000h with L80.
- High colour consistency: <3 SDCM.
- Integral LED driver. Available with 0-10V dimming option.
- LED driver protected against voltage spikes.
- Available with decorative LED.

Installation

- Double M20 cable gland for through wiring.
- Die-cast aluminium base (EN 47100).
- Galvanized and painted steel base plate with galvanized steel stud bolts.

TECHNICAL INFORMATION

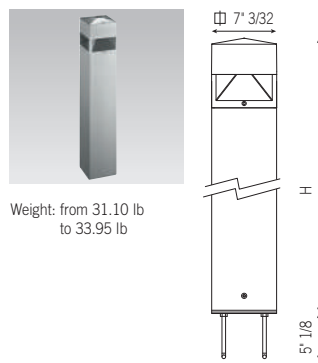
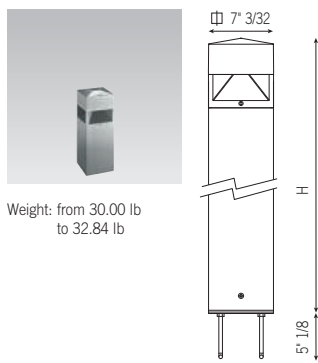
Luminaire power:	18W - 41W
Source lumen:	Up to 3700lm
LED:	3000K - 4000K, CRI>70



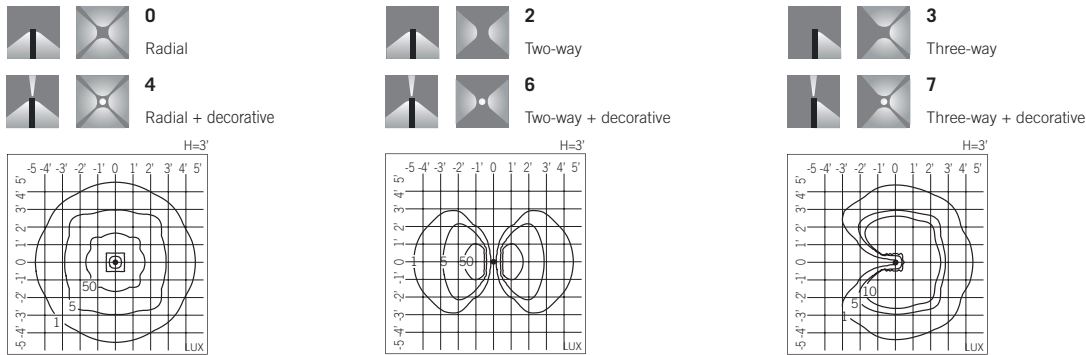
KUBIX180

16 21

Family	Model	Size	Height	Optics	CCT	Fixture color	Wiring
S- Urban lighting	KX Kubix	0 7"	1 1' 7" 11/16	0 Radial	3 3000K	US- 16 Grey	A 120V 60Hz
			2 3' 3" 3/8	2 Two-way	4 4000K	US- 21 Aluminium	S 120-277V 60Hz / 0-10V
				3 Three-way			
				4 Radial + decorative			
				6 Two-way + decorative			
			7 Three-way + decorative				



Optics



Accessories

DECORATIVE GLASS

Code	Colour
1099323X+13	Red
1099323X+14	Yellow
1099323X+15	Green
1099323X+17	Blue

Coloured glass to be ordered together with the light fitting.

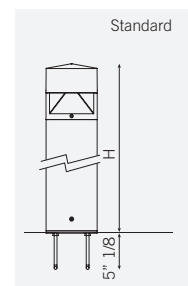
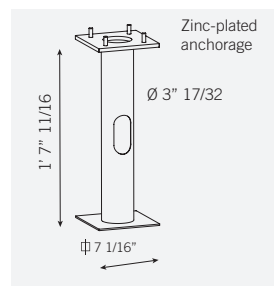


ANCHORAGE

Code	lbs
1099093X+31	14.55

Zinc-plated anchorage. Standard installation equipment supplied together with the lighting fitting.

31



Without decorative LED



With decorative LED

