



LION GUN® Electric Torque Tool - WHEEL BOLTING

The LION GUN Electric Torque Tool offers unmatched portability and convenience, making safe and accurate bolting simpler than ever. Now enhanced with wheel bolting software, the LION GUN Tool is the ultimate solution for fleet maintenance and commercial wheel bolting worldwide. The enhanced wheel bolting software with wireless printing brings efficiency and convenience in wheel bolting documentation. The optional wheel kit includes the Wheel Gun Extension with adjustable track making it the perfect accessory for all wheel lug operations.

UNMATCHED PERFORMANCE



The LION GUN Tool packs tremendous power without the weight. The brushless motor powered by an 18 Volt lithium ion battery provides long lasting operation while delivering torque faster, smoother, and more reliably than manual, impact, and other tightening tools.

WHEEL BOLTING SOFTWARE

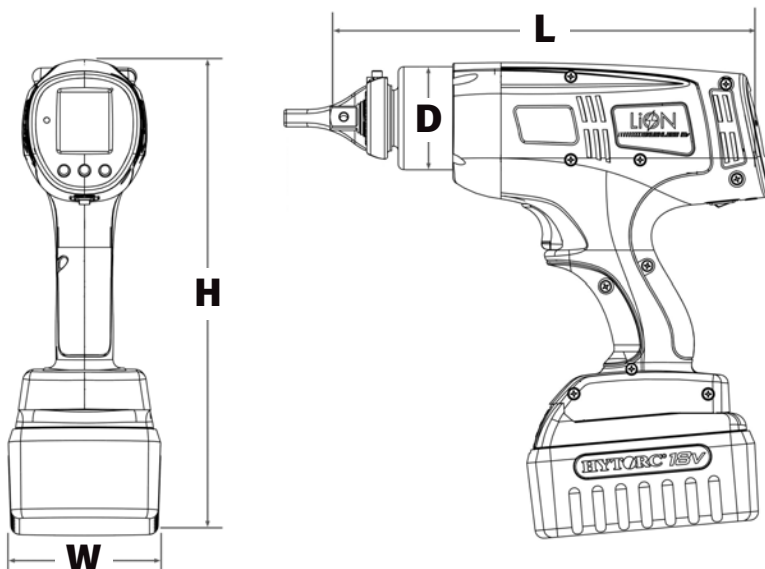


The LION GUN Tool with Wheel Bolting software allows the user to set the Job or Truck number and capture bolting data on up to 10 Lug Nuts. The data can be transferred to a PC or wirelessly transferred to a printer for a permanent work record.

OPTIONAL WHEEL KIT



The optional Wheel Kit includes the Wheel Gun Extension providing sufficient reach to access lugs located in deep well rims. The extension also has a built-in adjustable track for compatibility with a wide range of commercial and industrial wheel lug arrangements.



LEGEND: H = HEIGHT W = WIDTH L = LENGTH D = DIAMETER

CONFIGURATION	H	W	L	D	SQUARE DRIVE	WEIGHT	TORQUE		RPM
				in.		lbs.	ft-lbs (Min)	ft-lbs (Max)	
LIONGUN-7-TRUCK	10.83	3.47	11.13	2.45	3/4	8.22	70	700	4.1
				MM		KG	NM (MIN)	NM (MAX)	RPM
LIONGUN-7-TRUCK	275	88	283	62	19	47	203	949	61

COMPLETE KIT CONTENTS

- LION GUN Electric Torque Tool
- Reaction Arm
- Storage Case
- 18V Battery (Two)
- Battery Charging System
- Operations Manual
- Calibration Certificate
- Optional Wheel Kit:
Includes Wheel Gun Extension with adjustable track

CONFIGURATION

LIONGUN	.7	BSM	TRUCK	
Model:	Capacity:	Communication:	Software:	Wheel Kit:
LIONGUN Tool	Available: .7	BSM: Bluetooth Wireless Printing	TRUCK: Wheel Bolting Software	BLANK: Standard Configuration KIT: Wheel Kit



The World's Most Trusted Industrial Bolting Systems

HYTORC owns all content, copyrights, trademarks and patents in this document. © 2021 HYTORC. Any unauthorized use or distribution of any material from this document is strictly prohibited.



Headquarters:
333 Route 17 N., Mahwah, NJ 07430
+1-201-512-9500

Email:
info@hytorc.com

Phone:
1-800-FOR-HYTORC

Online:
hytorc.com