

### **Selecting the correct light bulb**

- Bulb Type - ES GLS (not supplied)
- Maximum Wattage - 42W Eco Halogen | 11W Energy Saver | 10W LED  
(Never exceed the stated maximum wattage)
- Voltage - 240 Volts

Care should be taken to choose the correct bulb for your light fitting as different bulbs give varying lighting effects. Generally clear bulbs will add sparkle to glass shades while pearl or opal bulbs give a softer, more even light.

### **Specification**

Power Source: 220-240 V ~ 50/60 Hz

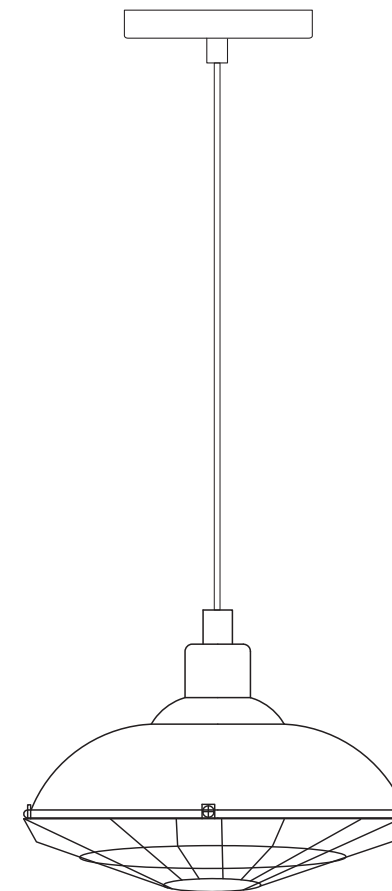
Class: Class 1 ⚡

### **Location**

- This product is suitable for indoor use only.

### **Cleaning Care**

Always switch off supply before cleaning. Clean with a soft dry cloth. Do not use abrasive materials as this may damage your product



## **COBDEN CEILING FITTING**

HOME3395 | HOME3400

# **Instructions**

Please read these instructions carefully and retain for future reference.

Please read these instructions carefully and retain for future reference.

All our products are thoughtfully designed and expertly manufactured to give stylish looks and long lasting quality. So that you get the most out of your new light we offer the following guidelines to assist you.

### Contents

- 1 light fitting
- 1 pendant shade cage
- 2 x ceiling plugs
- 4 x screws
- 4-pole terminal block
- 1 x ceiling plate

### Important Information

- To prevent electrocution switch off at the mains supply before assembling or maintaining.
- Always be sure to use the correct type and wattage of bulbs as indicated on the fitting. Never exceed the wattage stated, this may cause your light fitting to overheat.
- When changing the bulb, always switch off the supply and allow the old bulb to cool down before handling. Dispose of bulbs carefully.

### Before Starting

Please read through these instructions before assembling product and retain for future reference. Keep all packaging until after successful installation.

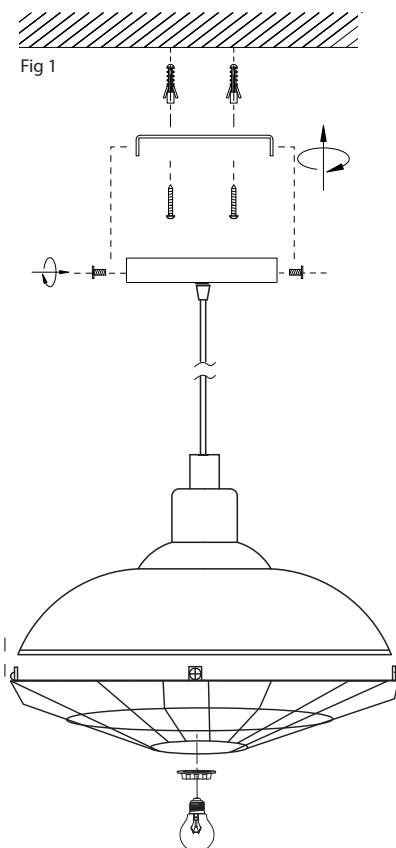
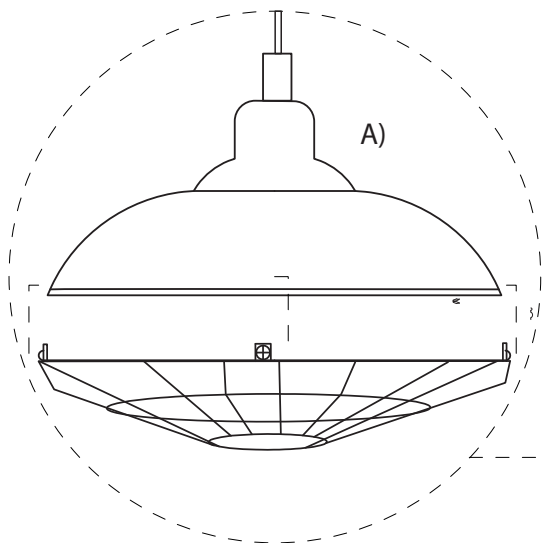
### Assembly Instructions

#### Step 1

Remove fitting from box and remove all packaging, keep until successful installation.

#### Step 2 - (refer to Fig 1 point A)

Use a cross-head screwdriver to loosen the 4 screws on the pendant cage section. Offer up the cage section to the fitting. Once the cage section is in place, tighten up the screws so the cage section is firmly secured.



**Diagrams are representative and may not fully match your product.**

### Wiring Instructions

For your safety, this product must be installed in accordance with local Building Regulations. If in any doubt, or where required by law, consult a competent person who is registered with an electrical self-certification scheme. Further information is available online or from your local authority.

WARNING - Switch off electricity supply at fuse box before and during installation. We recommend that the circuit fuse is fully withdrawn to prevent accidental switching on whilst work is in progress.

If you are fitting a unit in place of an existing ceiling rose, you may find that both ring and switched circuits exist. Before removing the existing rose, carefully note the position of each set of cables in relation to L.N.E. If a ring circuit exists there will be a fourth set of wires (red/black) that are not connected to L N or E, this circuit must be kept together in a separate terminal block insulated from the fitting. The ring circuit will remain live unless isolated at the fuse box regardless of the position of the wall switch - if in doubt, consult a qualified electrician.

### Tools Required

- Pencil
- 2 x adequate screws (supplied)
- 1 x approved 4 pole terminal block (supplied)
- Drill with appropriate sized drill bits
- Small flat head screwdriver (for wiring)
- Cross head screwdriver (for installation)
- Wire strippers (if required)
- Pliers (for twisting wire & cutting cable)
- Good quality insulation tape

### ATTACHING THE FITTING:

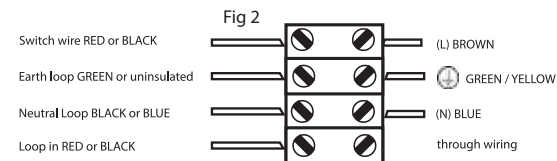
Note: all units with earth tags or earth labels MUST be earthed

#### Step 3

Locate the area in which you wish to place the fitting. Using the holes in the ceiling plate as a template, mark the position of the fixing holes (make sure the marks are below a joist or other solid object suitable for the weight of the fitting).

#### Step 4

Connect the wiring from the house wiring to the supplied terminal block as detailed (Fig 2) (take note of the previous connections), making sure that the conductors are fully inserted and that no loose strands stick out. Fully tighten the connection making sure screws clamp onto the conductors and not the insulation. When connecting to the existing house wiring ensure that concealed wires will not be fouled by drill or screws during fitting. If re-positioning of supply wires is required, new wiring should be installed in accordance with IEE wiring regulations. If in doubt, consult a qualified electrician.



#### Step 5

Offer the fitting up to the ceiling and connect the wiring from the fitting to the terminal block again making sure no strands are exposed and that the connections are fully tightened. Wrap the entire terminal block including 1" (25mm) insulation in both directions with 2 layers of good quality insulation tape.

#### Step 6

If applicable push the terminal block into the fitting making sure that the cable is not stressed or pressed against anything.

#### Step 7

Securely fasten the product to the ceiling using two adequate sized screws making sure the screws go into the joist or other solid object. (Refer to fig 1)

#### Step 8

Insert correct wattage and shape of bulb (not supplied) as shown on the wattage label affixed to the fitting and restore power to the fuse box. Your fitting is now ready to use..